

NOTES:

1. APPLICABLE STANDARDS/SPECIFICATIONS:
 A: DOD-STD-100G
 B: ASME Y14.5M-1994
2. IEEE/ASTM SI 10 SHALL BE USED IN CONVERTING AND ROUNDING OFF.
 1 INCH=25.4mm APPLIES.
3. B4 HEATER POSITIONS
 0 - OFF
 1 - LOW
 2 - MED
 3 - HIGH
4. APPLIES TO VEHICLE SERIAL No's 18550 TO 100,000.
5. FOR GENERAL CROSS REFERENCE, THIS SCHEMATIC IS DERIVED FROM THE STANDARD FMTV ELECTRICAL SCHEMATIC: 12422872.

ZONE	REV	DESCRIPTION	DATE(YEAR-MO-DA)	APPROVED
-	-	-INITIAL RELEASE- PRODUCT BASELINE ECO10374	2008-09-02	A. CHAUDHURI

CIRCUIT BREAKER	BATTERY	FUSE	OPEN CONTACT	CLOSED CONTACT	SWITCH	PUSHBUTTON	FILTER
SPLICE	ALTERNATOR	MOTOR	CONNECTOR	TERMINAL BLOCK	PRESSURE SWITCH	TEMPERATURE SWITCH	AUDIBLE ALARM
PDP LED	LAMP	LED	DUAL BEAM LAMP	BLACKOUT MARKER	METER OR GAUGE	POWER OR GROUND	DIODE
	RESISTOR	SENSOR	RECEPTACLE	CONNECTION	RELAY	SOLENOID	GROUND

LSAC CAB MODEL	CHASSIS CONFIGURATION	CAB/CHASSIS INTERFACE ADAPTER HARNESS	SHEET NO.
A1 CAB (PCB & WTEC III TRANSMISSION)	A1 CHASSIS	N/A	1 TO 22
A1 CAB (PCB & WTEC III TRANSMISSION)	A0 CHASSIS	APC30156 (ENGINE CONTROL) APC30157 (TACHOMETER)	23 TO 39

LIMITED RIGHTS STATEMENT:

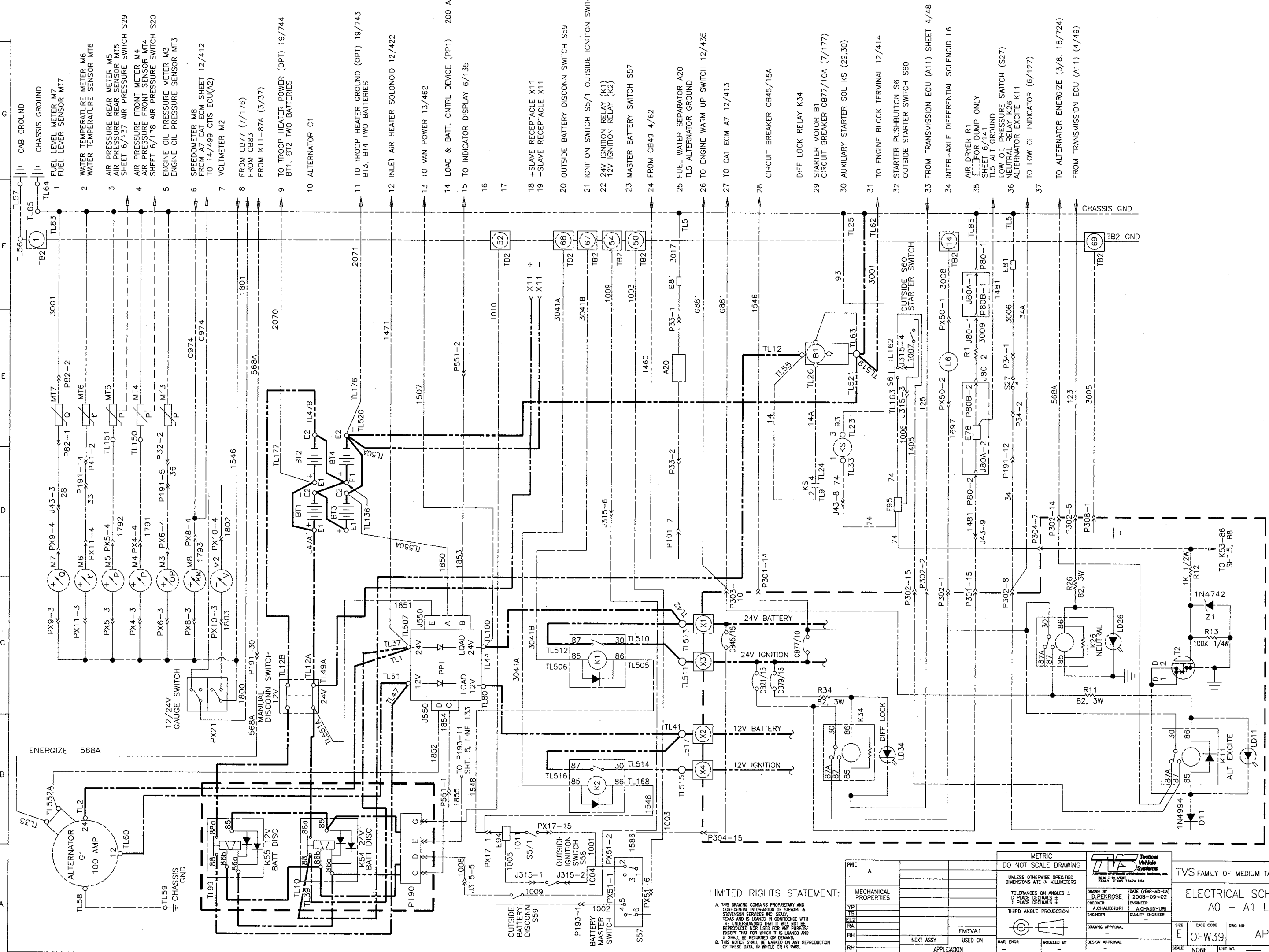
A. THIS DRAWING IS THE PROPERTY OF TVS. IT IS TO BE USED FOR THE PURPOSES SPECIFIED ONLY. IT IS NOT TO BE REPRODUCED, COPIED, OR TRANSMITTED IN ANY FORM OR BY ANY MEANS, ELECTRONIC OR MECHANICAL, INCLUDING PHOTOCOPYING, RECORDING, OR BY ANY INFORMATION STORAGE AND RETRIEVAL SYSTEM, WITHOUT THE WRITTEN PERMISSION OF TVS. B. THIS DRAWING IS THE PROPERTY OF TVS. IT IS TO BE USED FOR THE PURPOSES SPECIFIED ONLY. IT IS NOT TO BE REPRODUCED, COPIED, OR TRANSMITTED IN ANY FORM OR BY ANY MEANS, ELECTRONIC OR MECHANICAL, INCLUDING PHOTOCOPYING, RECORDING, OR BY ANY INFORMATION STORAGE AND RETRIEVAL SYSTEM, WITHOUT THE WRITTEN PERMISSION OF TVS.

REV		DESCRIPTION		DATE	APPROVED
A		INITIAL RELEASE		2008-09-02	A. CHAUDHURI

<table border="1"> <tr> <td>YIP</td> <td></td> </tr> <tr> <td>ITS</td> <td></td> </tr> <tr> <td>ELP</td> <td></td> </tr> <tr> <td>RA</td> <td></td> </tr> <tr> <td>BH</td> <td></td> </tr> <tr> <td>RH</td> <td></td> </tr> </table>	YIP		ITS		ELP		RA		BH		RH		<table border="1"> <tr> <td>APPLICATOR</td> <td></td> </tr> <tr> <td>DATE</td> <td></td> </tr> <tr> <td>BY</td> <td></td> </tr> </table>	APPLICATOR		DATE		BY		<table border="1"> <tr> <td>DATE</td> <td></td> </tr> <tr> <td>BY</td> <td></td> </tr> </table>	DATE		BY		<table border="1"> <tr> <td>DATE</td> <td></td> </tr> <tr> <td>BY</td> <td></td> </tr> </table>	DATE		BY	
YIP																													
ITS																													
ELP																													
RA																													
BH																													
RH																													
APPLICATOR																													
DATE																													
BY																													
DATE																													
BY																													
DATE																													
BY																													

<p>DO NOT SCALE DRAWING</p> <p>UNLESS OTHERWISE SPECIFIED DIMENSIONS ARE IN MILLIMETERS</p> <p>TOLERANCES ON ANGLES ± 0 PLACE DECIMALS ± 1 PLACE DECIMALS ±</p> <p>THIRD ANGLE PROJECTION</p>		<p>TVS Technical Vehicle Systems</p> <p>2008-09-02</p> <p>DRAWN BY: D. PENROSE CHECKED BY: A. CHAUDHURI ENGINEER: A. CHAUDHURI QUALITY ENGINEER: A. CHAUDHURI</p>	<p>TVS FAMILY OF MEDIUM TACTICAL VEHICLES</p> <p>ELECTRICAL SCHEMATIC, A0 - A1 LSAC</p>										
<table border="1"> <tr> <td>SIZE</td> <td>A0</td> </tr> <tr> <td>CAGE CODE</td> <td>QFW39</td> </tr> <tr> <td>DWG NO</td> <td>APC30422</td> </tr> <tr> <td>SCALE</td> <td>NONE</td> </tr> <tr> <td>SHEET</td> <td>1 OF 40</td> </tr> </table>	SIZE	A0	CAGE CODE	QFW39	DWG NO	APC30422	SCALE	NONE	SHEET	1 OF 40			
SIZE	A0												
CAGE CODE	QFW39												
DWG NO	APC30422												
SCALE	NONE												
SHEET	1 OF 40												

REVISIONS		DATE (YEAR-MO-DA)	APPROVED
1	INITIAL RELEASE - PRODUCT BASELINE EC010374	2008-09-02	A. CHAUDHURI
2			EDP AC



- 1 CAB GROUND
- 2 FUEL LEVEL METER M7
- 3 WATER TEMPERATURE METER M6
- 4 AIR PRESSURE REAR METER M5
- 5 AIR PRESSURE FRONT METER M4
- 6 SPEEDOMETER M8
- 7 VOLTMETER M2
- 8 FROM CB77 (7/176)
- 9 TO TROOP HEATER POWER (OPT) 19/744
- 10 ALTERNATOR G1
- 11 TO TROOP HEATER GROUND (OPT) 19/743
- 12 INLET AIR HEATER SOLENOID 12/422
- 13 TO VAN POWER 13/462
- 14 LOAD & BATT. CNTRL DEVICE (PPI) 200 AMP
- 15 TO INDICATOR DISPLAY 6/135
- 16
- 17
- 18 +SLAVE RECEPTACLE X11
- 19 -SLAVE RECEPTACLE X11
- 20 OUTSIDE BATTERY DISCONN SWITCH S59
- 21 IGNITION SWITCH S5/1 OUTSIDE IGNITION SWITCH S58
- 22 24V IGNITION RELAY (K1)
- 23 MASTER BATTERY SWITCH S57
- 24 FROM CB49 4/62
- 25 FUEL WATER SEPARATOR A20
- 26 TO ENGINE WARM UP SWITCH 12/435
- 27 TO CAT ECM AT 12/413
- 28 CIRCUIT BREAKER CB45/15A
- 29 STARTER MOTOR B1
- 30 AUXILIARY STARTER SOL KS (29,30)
- 31 TO ENGINE BLOCK TERMINAL 12/414
- 32 STARTER PUSHBUTTON S6
- 33 FROM TRANSMISSION ECU (A11) SHEET 4/48
- 34 INTER-AXLE DIFFERENTIAL SOLENOID L6
- 35 AIR DRIVER R1
- 36 LOW OIL PRESSURE SWITCH (S27)
- 37 TO ALTERNATOR ENERGIZE (3/8, 18/724)

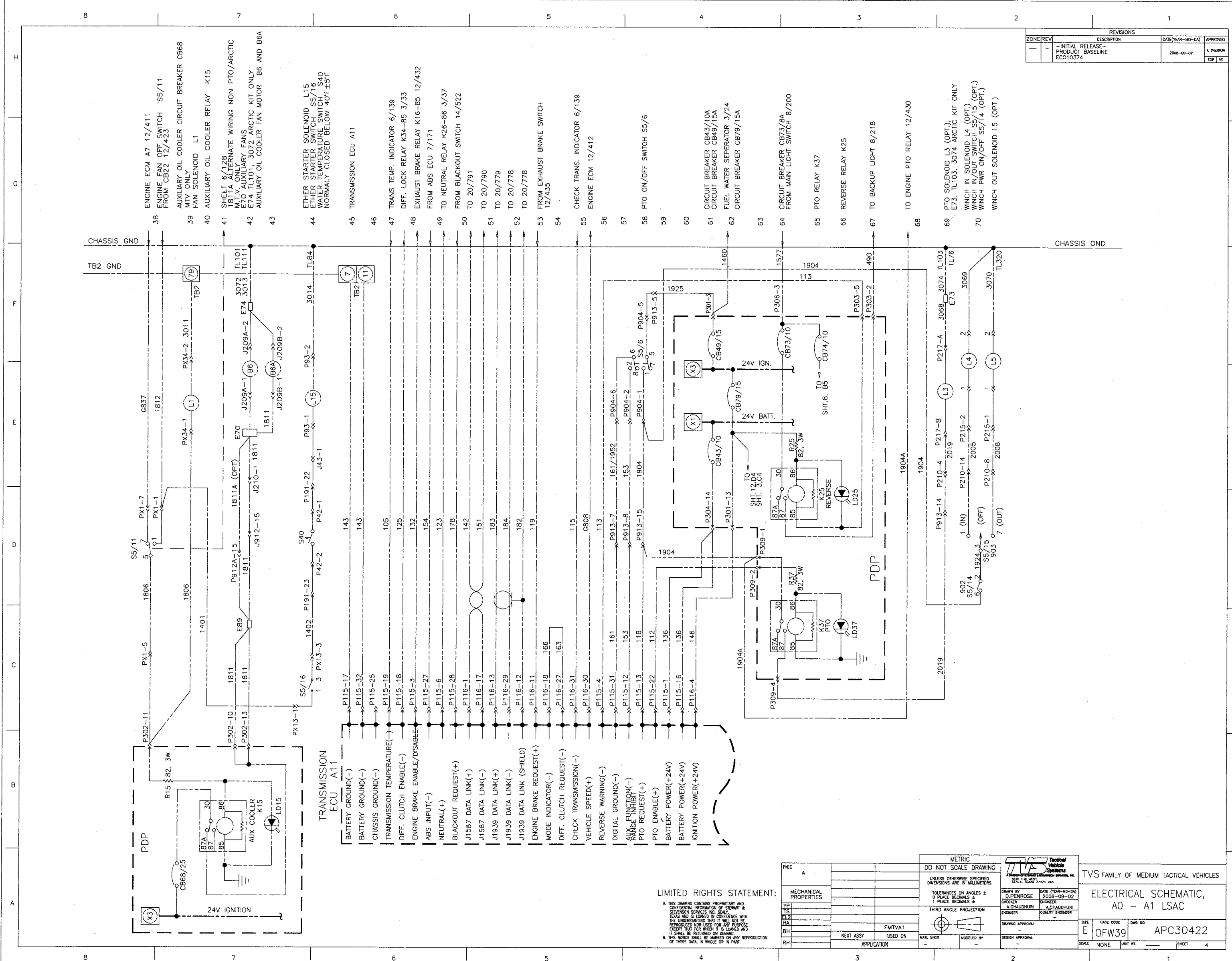
LIMITED RIGHTS STATEMENT:
 A. THIS DRAWING CONTAINS PROPRIETARY AND CONFIDENTIAL INFORMATION OF SCIENCE & STENOGRAPH SERVICES INC. SCALY, TEXAS AND IS LOANED IN CONFIDENCE WITH THE UNDERSTANDING THAT IT WILL NOT BE REPRODUCED OR USED FOR ANY PURPOSES EXCEPT THAT FOR WHICH IT IS LOANED AND IT SHALL BE RETURNED ON DEMAND.
 B. THIS NOTICE SHALL BE MARKED ON ANY REPRODUCTION OF THESE DATA, IN WHOLE OR IN PART.

PHIC	MECHANICAL PROPERTIES	YPI	RELTS	RELRA	RELBR	RELRI

DATE (YEAR-MO-DA)	APPROVED
2008-09-02	A. CHAUDHURI

TVS FAMILY OF MEDIUM TACTICAL VEHICLES
ELECTRICAL SCHEMATIC, AO - A1 LSAC
 SIZE: E CASE CODE: DWG NO: APC30422
 SCALE: NONE UNIT WT. SHEET 3

REVISIONS			
ZONE/REV	DESCRIPTION	DATE(YEAR-MO-DA)	APPROVED
-	- INITIAL RELEASE - PRODUCT BASELINE ECO10374	2008-09-02	A. CHAUDHARI
			ESP / AC



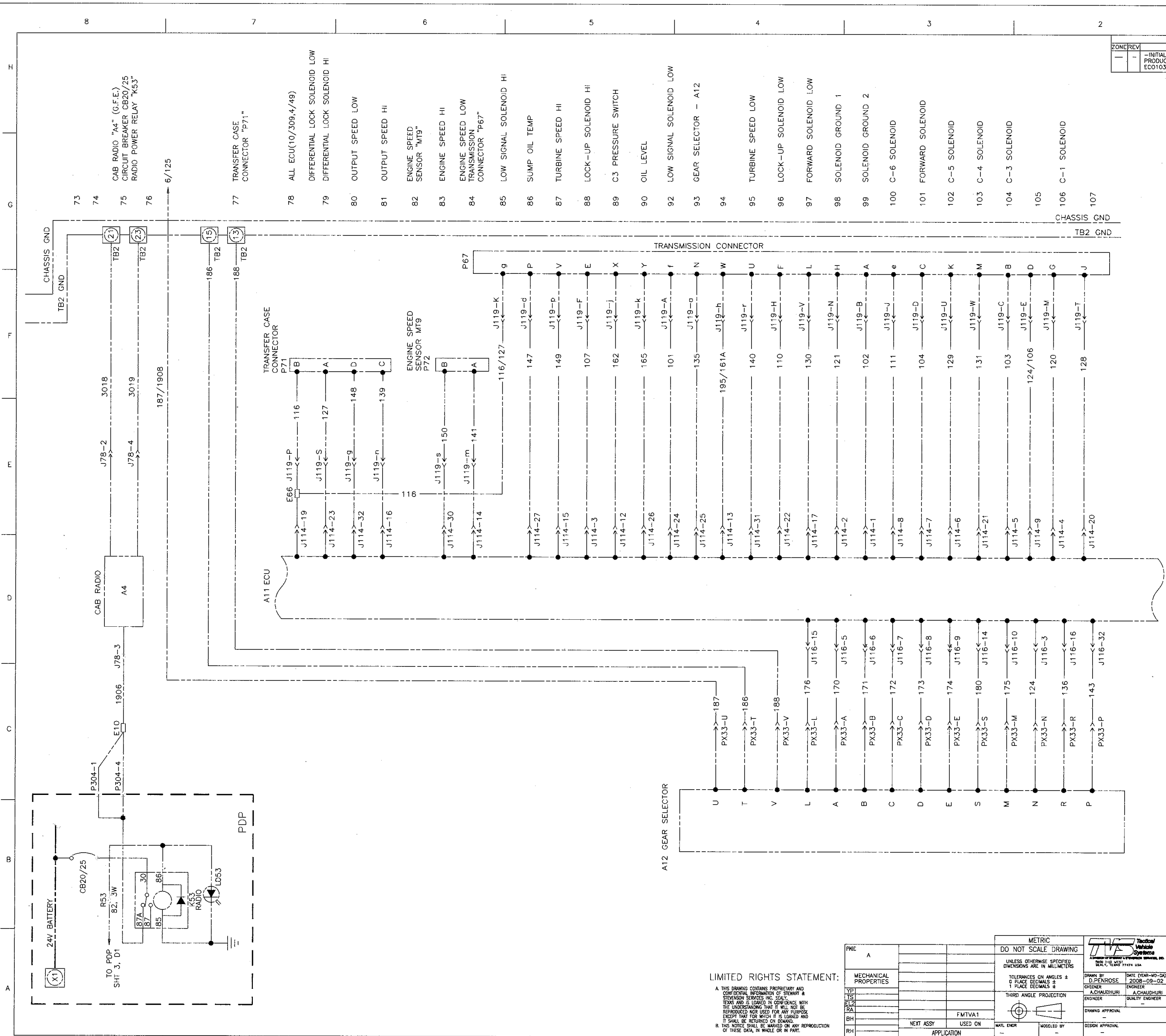
LIMITED RIGHTS STATEMENT:

A. THIS DRAWING CONTAINS PROPRIETARY AND CONFIDENTIAL INFORMATION OF STEVENSON & STEVENSON SERVICES, INC. (SSS) AND IS LOANED TO YOU IN CONFIDENCE WITH THE UNDERSTANDING THAT IT WILL NOT BE REPRODUCED FOR USE FOR ANY PURPOSE EXCEPT THAT FOR WHICH IT IS LOANED AND IT SHALL BE RETURNED ON DEMAND.

B. THIS NOTICE SHALL BE MARKED ON ANY REPRODUCTION OF THESE DATA, IN WHOLE OR IN PART.

PHIC		METRIC	DO NOT SCALE DRAWING	 TVS Tactical Vehicle Systems <small>ASSOCIATION OF INDIAN VEHICLE MANUFACTURERS, INC.</small> <small>REG. U.S. PAT. & TM. OFF.</small>	TVS FAMILY OF MEDIUM TACTICAL VEHICLES
MECHANICAL PROPERTIES		UNLESS OTHERWISE SPECIFIED DIMENSIONS ARE IN MILLIMETERS			DRAWN BY: D. PENROSE CHECKED BY: A. CHAUDHURI ENGINEER: A. CHAUDHURI QUALITY ENGINEER:
YP		TOLERANCES ON ANGLES ± 0 PLACE DECIMALS ± 1 PLACE DECIMALS ± 1 PLACE DECIMALS ± 1 PLACE DECIMALS	THIRD ANGLE PROJECTION	DATE (YEAR-MO-DA): 2008-09-02 DRAWER: A. CHAUDHURI QUALITY ENGINEER:	SIZE: E CASE CODE: OFW39 DWG NO: APC30422
RA				DRAWING APPROVAL: _____ DESIGN APPROVAL: _____	SCALE: NONE SHEET: 4
BH					
RH					

REVISIONS		DATE (YEAR-MO-DA)	APPROVED
1	INITIAL RELEASE - PRODUCT BASELINE ECO10374	2008-09-02	A. CHAUDHURI
2			ESP AC



73 CHASSIS GND
74 TB2 GND

75 CAB RADIO "A4" (G.F.E.)
CIRCUIT BREAKER CB20/25
RADIO POWER RELAY "K63"

76 6/125

77 TRANSFER CASE
CONNECTOR "P71"

78 ALL ECU(10/309,4/49)

79 DIFFERENTIAL LOCK SOLENOID LOW
DIFFERENTIAL LOCK SOLENOID HI

80 OUTPUT SPEED LOW

81 OUTPUT SPEED HI

82 ENGINE SPEED
SENSOR "M19"

83 ENGINE SPEED HI

84 ENGINE SPEED LOW
TRANSMISSION
CONNECTOR "P67"

85 LOW SIGNAL SOLENOID HI

86 SUMP OIL TEMP

87 TURBINE SPEED HI

88 LOCK-UP SOLENOID HI

89 C3 PRESSURE SWITCH

90 OIL LEVEL

92 LOW SIGNAL SOLENOID LOW

93 GEAR SELECTOR - A12

94

95 TURBINE SPEED LOW

96 LOCK-UP SOLENOID LOW

97 FORWARD SOLENOID LOW

98 SOLENOID GROUND 1

99 SOLENOID GROUND 2

100 C-6 SOLENOID

101 FORWARD SOLENOID

102 C-5 SOLENOID

103 C-4 SOLENOID

104 C-3 SOLENOID

105

106 C-1 SOLENOID

107

CHASSIS GND

TB2 GND

TRANSMISSION CONNECTOR

TRANSFER CASE
CONNECTOR
P71

ENGINE SPEED
SENSOR MT9
P72

P67

A12 GEAR SELECTOR

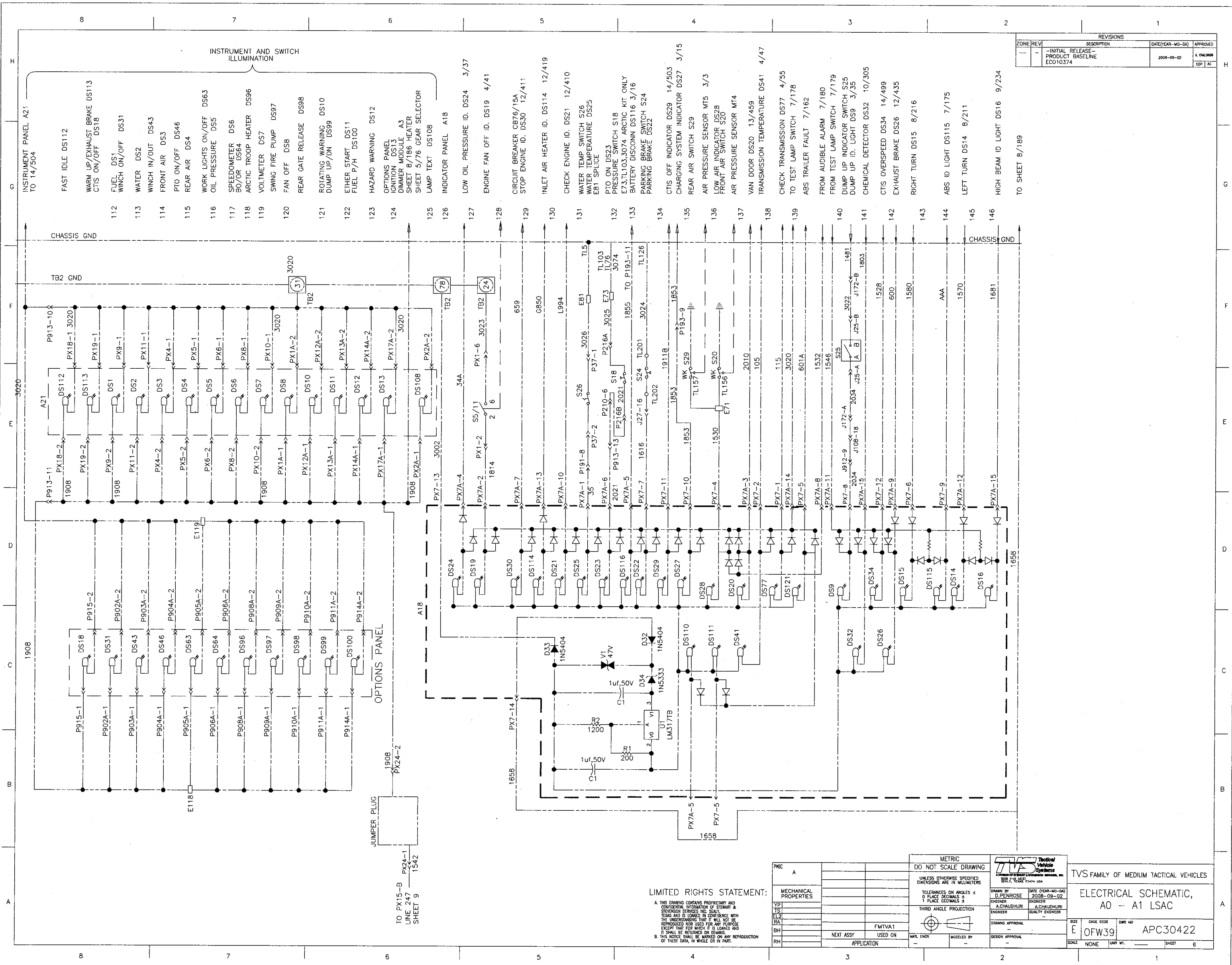
LIMITED RIGHTS STATEMENT:
A. THIS DRAWING CONTAINS PROPRIETARY AND CONFIDENTIAL INFORMATION OF STEWART & STEVENSON SERVICES, INC. (S&S). IT IS LOANED TO YOU IN CONFIDENCE WITH THE UNDERSTANDING THAT IT WILL NOT BE REPRODUCED OR USED FOR ANY PURPOSE EXCEPT THAT FOR WHICH IT IS LOANED AND IT SHALL BE RETURNED ON DEMAND.
B. THIS NOTICE SHALL BE MARKED ON ANY REPRODUCTION OF THESE DATA, IN WHOLE OR IN PART.

PHIC	A
MECHANICAL PROPERTIES	
YF	
TS	
ELP	
RA	
BH	
RH	

APPLICATION	FMTVA1
USED ON	
DATE ENGR	
MODELED BY	
DESIGN APPROVAL	

DATE (YEAR-MO-DA)	2008-09-02
ENGINEER	A. CHAUDHURI
QUALITY ENGINEER	
DESIGN APPROVAL	
DESIGN APPROVAL	

TVS FAMILY OF MEDIUM TACTICAL VEHICLES	
ELECTRICAL SCHEMATIC, A0 - A1 LSAC	
SIZE	E
CAGE CODE	OFW39
DWG NO	APC30422
SCALE	NONE
SHEET	5



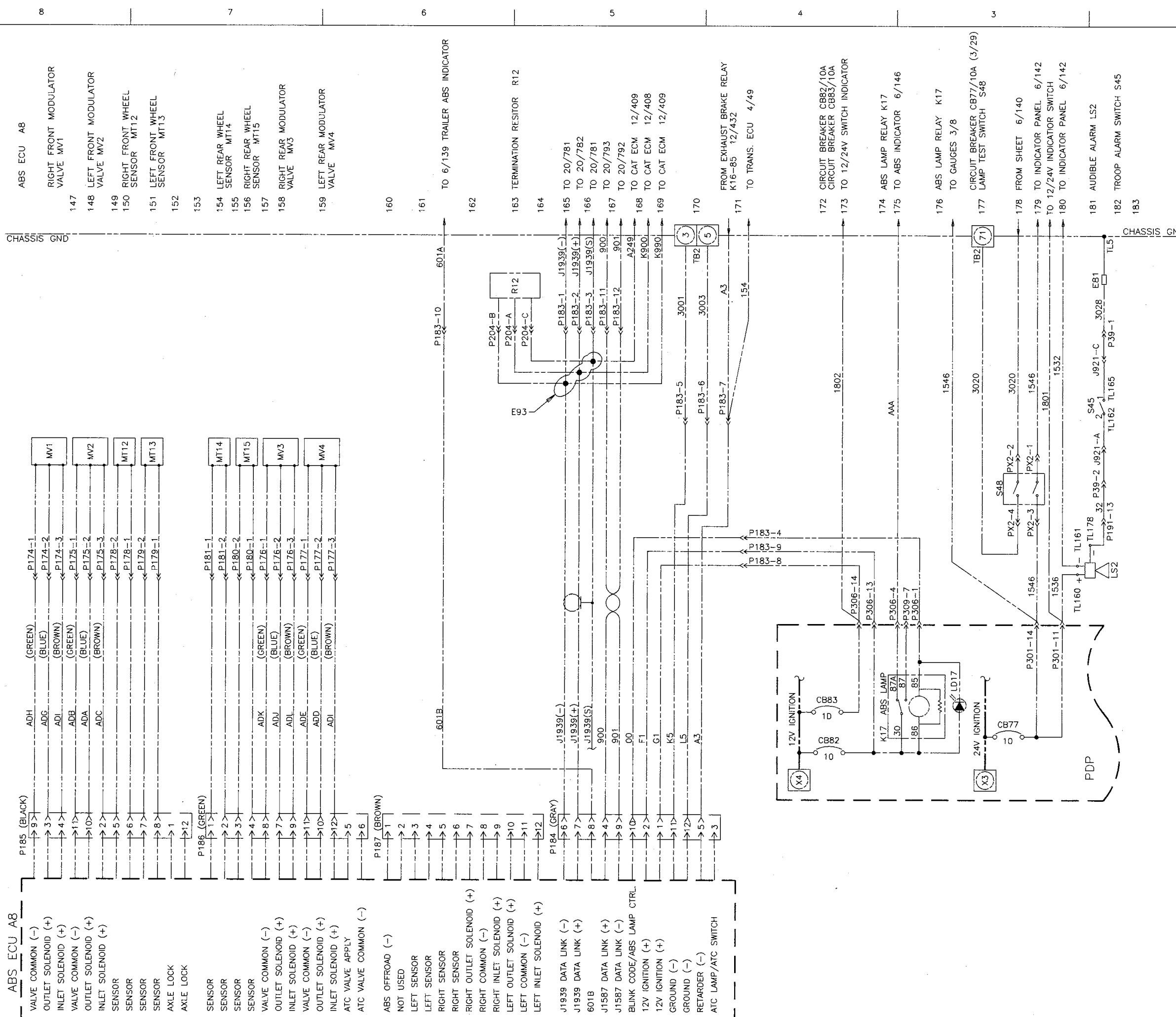
REVISIONS				
ZONE	REV	DESCRIPTION	DATE (YEAR-MO-DA)	APPROVED
-	-	INITIAL RELEASE - PRODUCT BASELINE ECO10374	2008-09-02	A. CHAUDHURI
-	-			101 AC

LIMITED RIGHTS STATEMENT:
 A. THIS DRAWING CONTAINS PROPRIETARY AND CONFIDENTIAL INFORMATION OF STEVENSON & STEVENSON SERVICES INC. SEAF, TEXAS AND IS LOANED TO YOUR SERVICE WITH THE UNDERSTANDING THAT IT WILL NOT BE REPRODUCED NOR USED FOR ANY PURPOSE EXCEPT THAT FOR WHICH IT IS LOANED AND IT SHALL BE RETURNED ON DEMAND.
 B. THIS NOTICE SHALL BE MARKED ON ANY REPRODUCTION OF THESE DATA, IN WHOLE OR IN PART.

PHIC	A	METRIC	DO NOT SCALE DRAWING		TVS FAMILY OF MEDIUM TACTICAL VEHICLES
MECHANICAL PROPERTIES		UNLESS OTHERWISE SPECIFIED DIMENSIONS ARE IN MILLIMETERS			DRAWN BY: D. PENROSE CHECKED BY: A. CHAUDHURI ENGINEER: A. CHAUDHURI QUALITY ENGINEER:
Y/P		TOLERANCES ON ANGLES ± 0 PLACE DECIMALS ± 1 PLACE DEGREES ±	THIRD ANGLE PROJECTION	DATE (YEAR-MO-DA): 2008-09-02 DRAWING APPROVAL:	CASE CODE: OFW39 DWG NO: APC30422
TS				MAIL ENGR:	SCALE: NONE UNIT WT: SHEET 6
ELA				MODELED BY:	
EH				DESIGN APPROVAL:	
RH				APPLICATION:	

TO: PX15-B
 LINE: 247
 SHEET: 9

JUMPER PLUG
 PX24-1
 1542



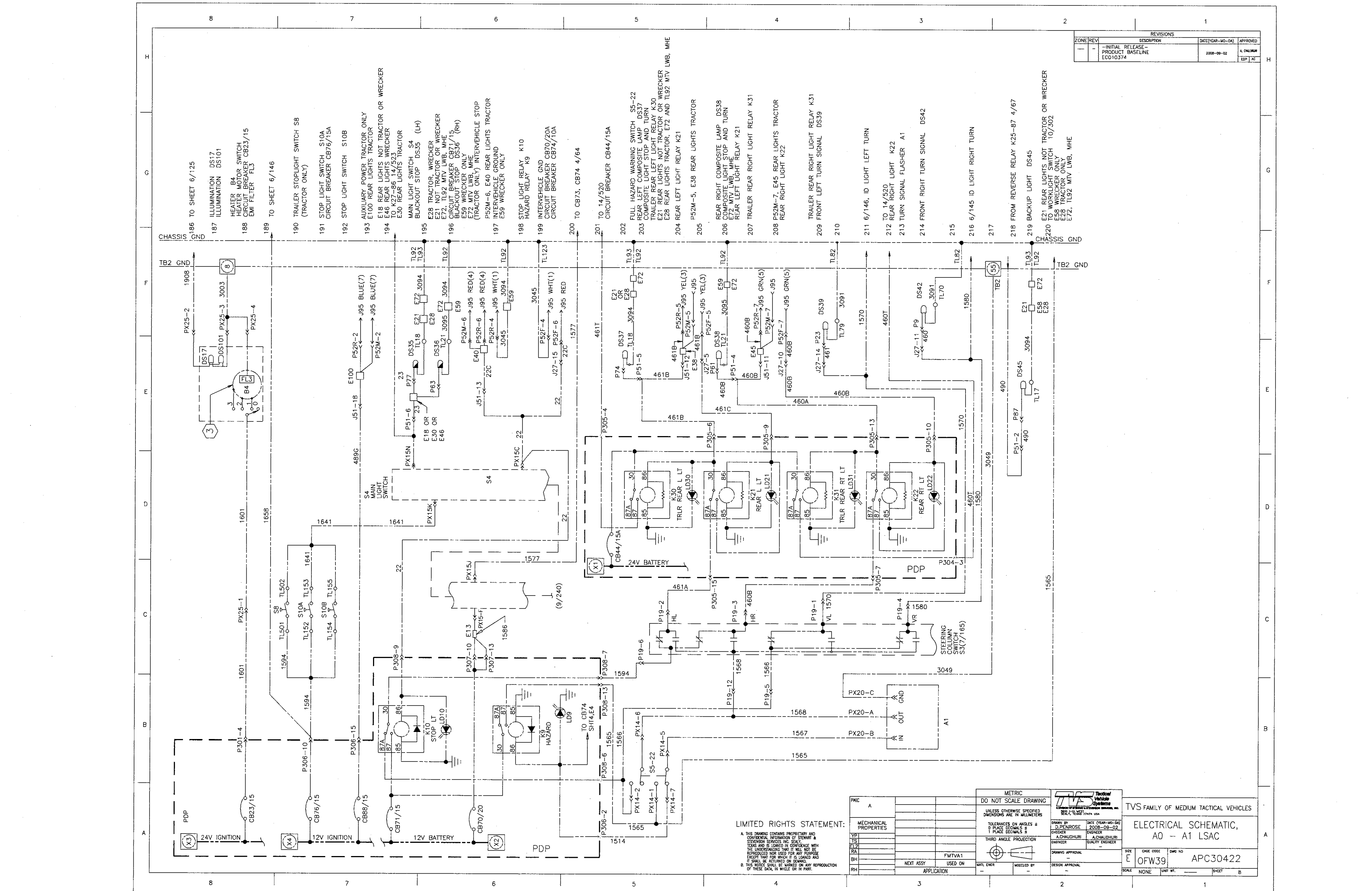
ZONE/REV		REVISIONS	
ZONE	REV	DESCRIPTION	DATE (YEAR-MO-DA)
-	-	INITIAL RELEASE - PRODUCT BASELINE ECO10374	2008-09-02
-	-		

LIMITED RIGHTS STATEMENT:
 A. THIS DRAWING CONTAINS PROPRIETARY AND CONFIDENTIAL INFORMATION OF STEWART & STEVENSON SERVICES INC. SEAL. THIS DRAWING IS LOANED TO YOU IN CONFIDENCE WITH THE UNDERSTANDING THAT IT WILL NOT BE REPRODUCED FOR ANY OTHER PURPOSE EXCEPT THAT FOR WHICH IT IS LOANED AND IT SHALL BE RETURNED TO US UPON REQUEST. B. THIS NOTICE SHALL BE MARKED ON ANY REPRODUCTION OF THESE DATA, IN WHOLE OR IN PART.

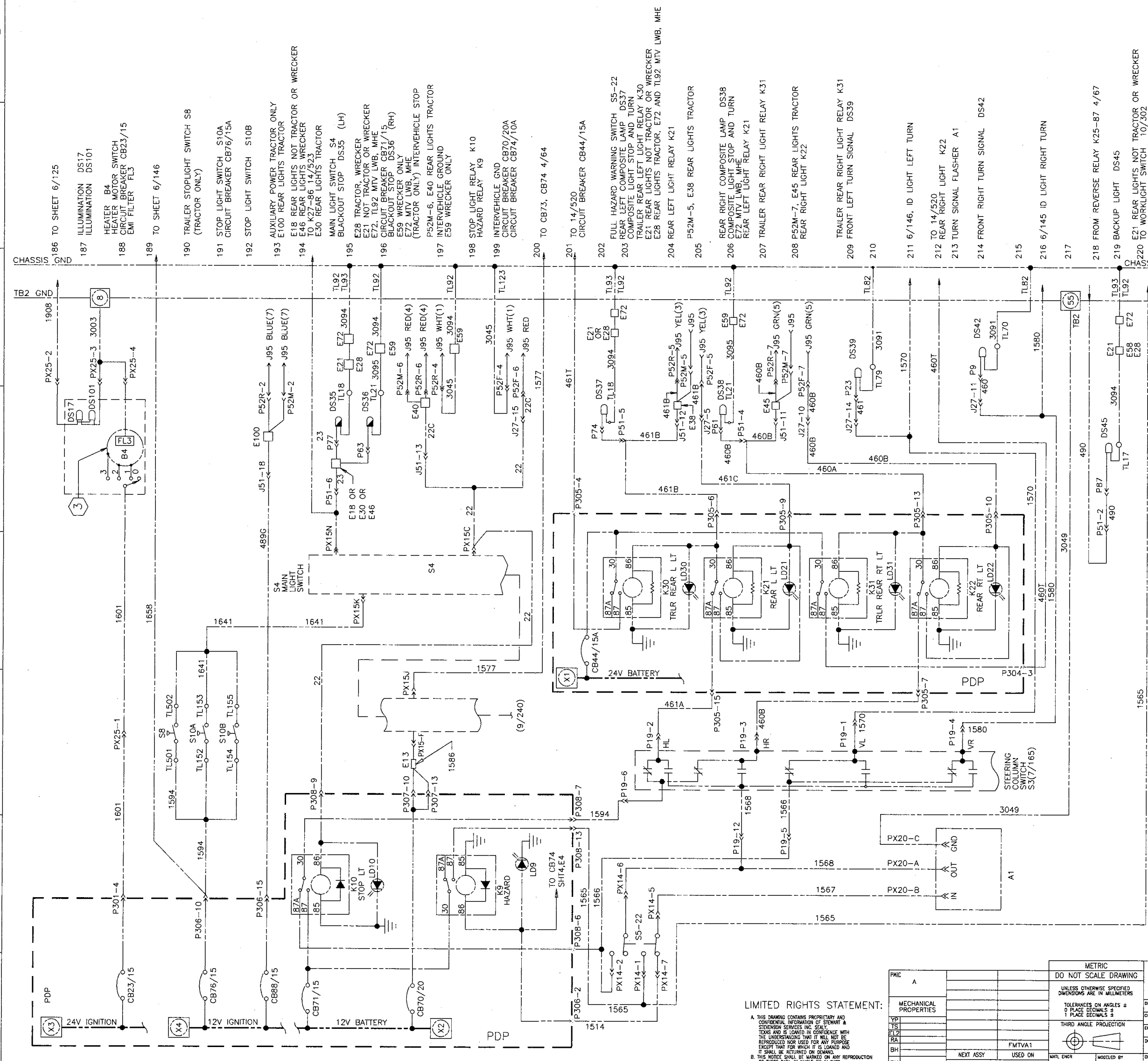
PHIC		METRIC	
A		DO NOT SCALE DRAWING	
UNLESS OTHERWISE SPECIFIED DIMENSIONS ARE IN MILLIMETERS		TOLERANCES ON ANGLES ± 0 PLACE DECIMALS ± 1 PLACE DECIMALS ±	
THIRD ANGLE PROJECTION		DRAWING APPROVAL	
NEXT ASSY USED ON		DESIGN APPROVAL	
APPLICATION		SCALE	

DRAWN BY		DATE (YEAR-MO-DA)	
D. PENROSE	2008-09-02		
CHECKER		ENGINEER	
A. CHAUDHURI	A. CHAUDHURI	QUALITY ENGINEER	
DRAWING APPROVAL		DESIGN APPROVAL	

TVS FAMILY OF MEDIUM TACTICAL VEHICLES			
ELECTRICAL SCHEMATIC, A0 - A1 LSAC			
SIZE	CAGE CODE	DWG NO	
E	OFW39	APC30422	
SCALE	NONE	UNIT WT.	SHEET 7



ZONE REV		REVISIONS		DATE (YEAR-MO-DA)	APPROVED
		- INITIAL RELEASE - - PRODUCT BASELINE - - ECO10374		2008-09-02	A. CHAUDHURI
					EDP: JAC



LIMITED RIGHTS STATEMENT:

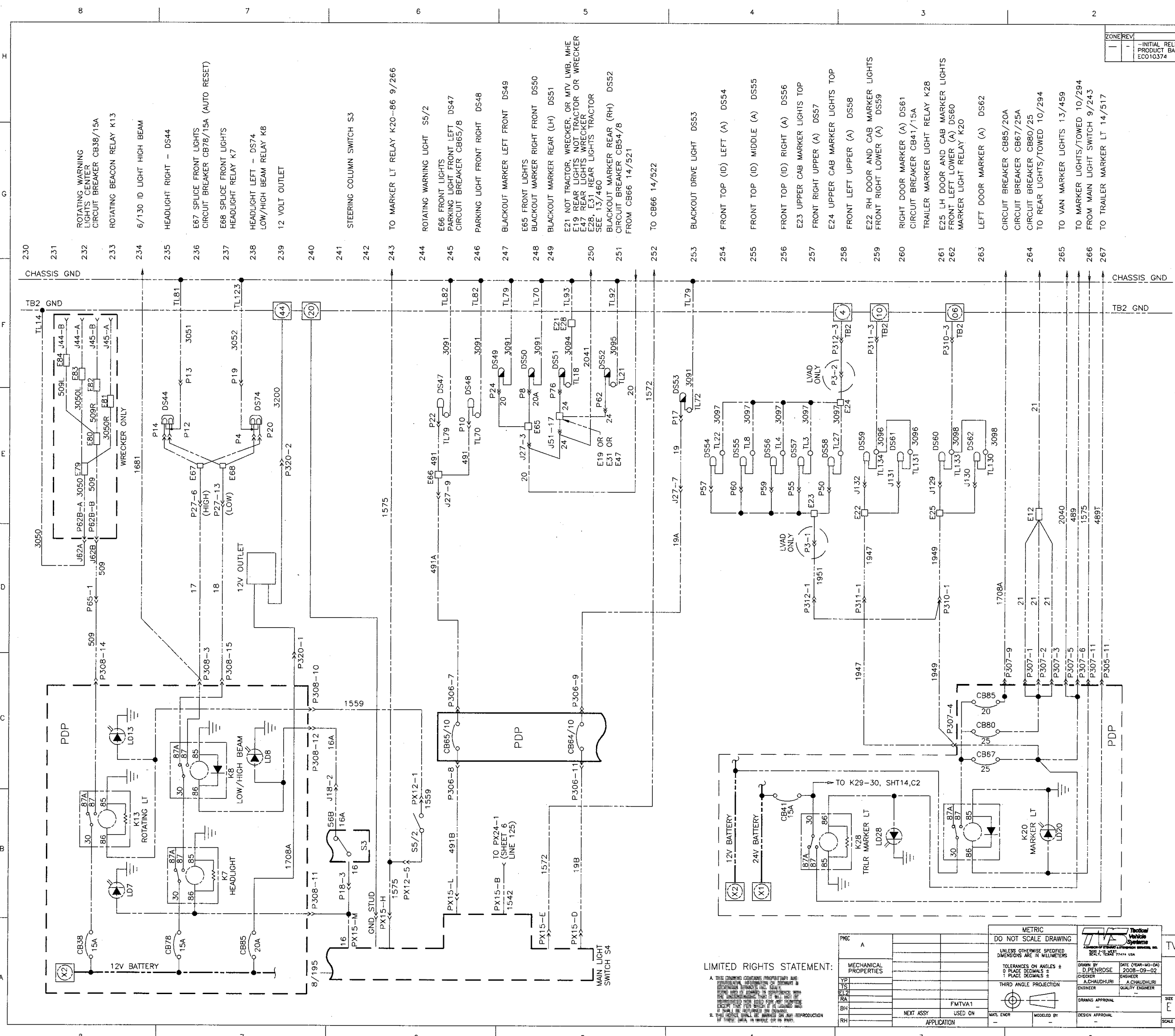
A. THIS DRAWING CONTAINS PROPRIETARY AND CONFIDENTIAL INFORMATION OF STEVENSON & STEVENSON SERVICES, INC. SEAL. THIS INFORMATION IS LOANED TO YOU IN CONFIDENCE WITH THE UNDERSTANDING THAT IT WILL NOT BE REPRODUCED NOR USED FOR ANY PURPOSE, EXCEPT THAT FOR WHICH IT IS LOANED AND IT SHALL BE RETURNED ON DEMAND.

B. THIS NOTICE SHALL BE MARKED ON ANY REPRODUCTION OF THESE DATA, IN WHOLE OR IN PART.

MATERIAL PROPERTIES		METRIC	
A		DO NOT SCALE DRAWING	
UNLESS OTHERWISE SPECIFIED DIMENSIONS ARE IN MILLIMETERS		TOLERANCES ON ANGLES ± 0 PLACE DECIMALS ± 1 PLACE DECIMALS ±	
THIRD ANGLE PROJECTION		DRAWN BY: D. PENROSE	
FMTVA1		CHECKED BY: A. CHAUDHURI	
NEXT ASSY USED ON		ENGINEER: A. CHAUDHURI	
APPLICATION		QUALITY ENGINEER:	

TVS FAMILY OF MEDIUM TACTICAL VEHICLES	
ELECTRICAL SCHEMATIC, AO - A1 LSAC	
SIZE	DATE (YEAR-MO-DA)
E	2008-09-02
CAGE CODE	DWG NO
DFW39	APC30422
SCALE	UNIT WT.
NONE	B-SHEET B

REVISIONS			
ZONE REV	DESCRIPTION	DATE (YEAR-MO-DA)	APPROVED
-	INITIAL RELEASE - PRODUCT BASELINE EOC10374	2008-08-02	A. CHAUDHURI EPJ AC



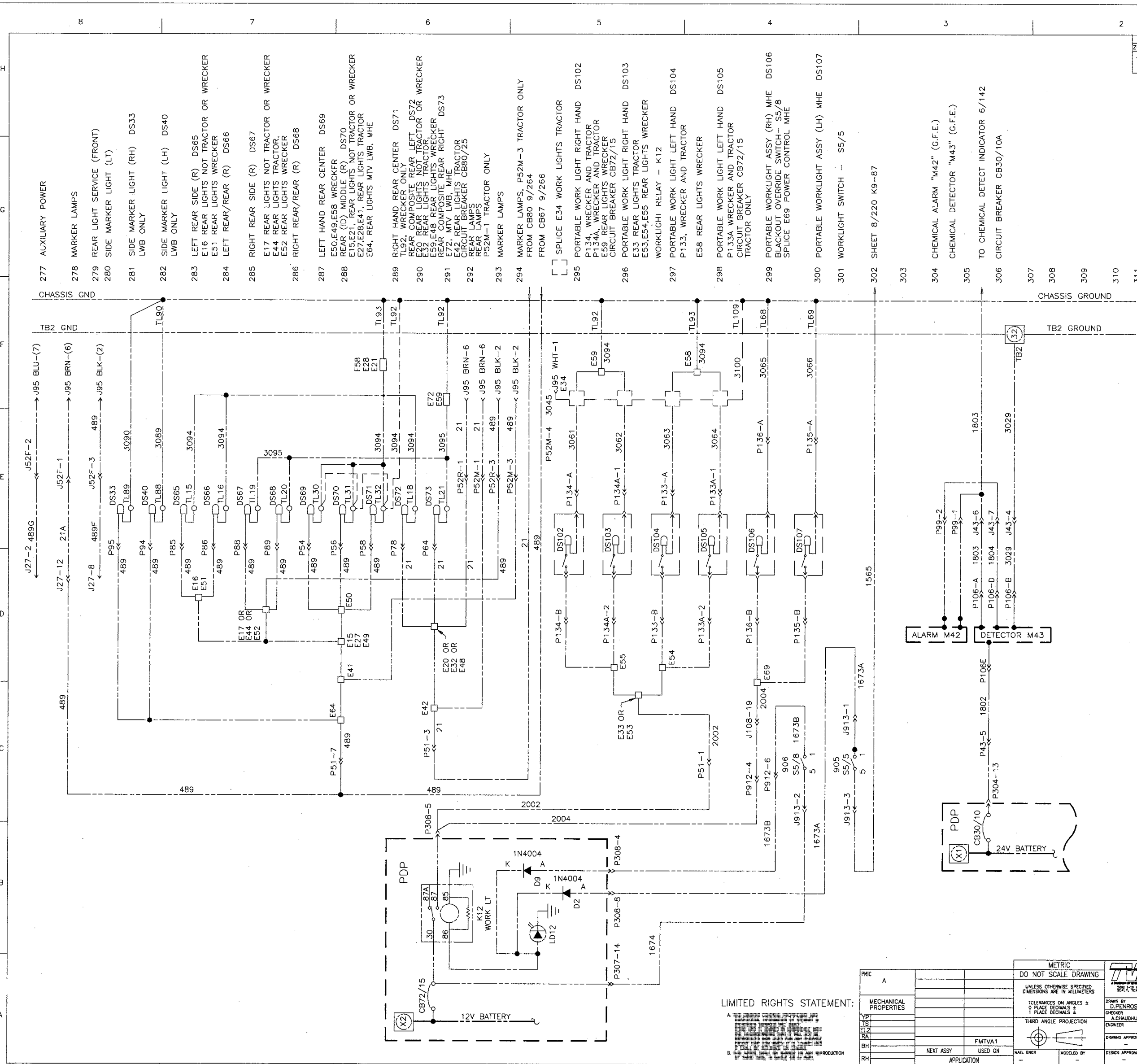
- 230 CHASSIS GND
- 231 TB2 GND
- 232 ROTATING WARNING LIGHTS CENTER CIRCUIT BREAKER CB38/15A
- 233 ROTATING BEACON RELAY K13
- 234 6/130 ID LIGHT HIGH BEAM
- 235 HEADLIGHT RIGHT - DS44
- 236 E67 SPURCE FRONT LIGHTS CIRCUIT BREAKER CB78/15A (AUTO RESET)
- 237 E68 SPURCE FRONT LIGHTS HEADLIGHT RELAY K7
- 238 HEADLIGHT LEFT - DS74 LOW/HIGH BEAM RELAY K8
- 239 12 VOLT OUTLET
- 240
- 241 STEERING COLUMN SWITCH S3
- 242
- 243 TO MARKER LT RELAY K20-86 9/266
- 244 ROTATING WARNING LIGHT S5/2
- 245 E66 FRONT LIGHTS PARKING LIGHT FRONT LEFT DS47 CIRCUIT BREAKER CB65/8
- 246 PARKING LIGHT FRONT RIGHT DS48
- 247 BLACKOUT MARKER LEFT FRONT DS49
- 248 E65 FRONT LIGHTS BLACKOUT MARKER RIGHT FRONT DS50
- 249 BLACKOUT MARKER REAR (LH) DS51
- 250 E21 NOT TRACTOR, WRECKER, OR MIV LWB, MHE E19 REAR LIGHTS NOT TRACTOR OR WRECKER E47 REAR LIGHTS WRECKER E28, E31 REAR LIGHTS TRACTOR SEE 13/460
- 251 BLACKOUT MARKER REAR (RH) DS52 CIRCUIT BREAKER CB54/8 FROM CB66 14/521
- 252 TO CB66 14/522
- 253 BLACKOUT DRIVE LIGHT DS63
- 254 FRONT TOP (ID) LEFT (A) DS54
- 255 FRONT TOP (ID) MIDDLE (A) DS55
- 256 FRONT TOP (ID) RIGHT (A) DS56
- 257 E23 UPPER CAB MARKER LIGHTS TOP FRONT RIGHT UPPER (A) DS57
- 258 E24 UPPER CAB MARKER LIGHTS TOP FRONT LEFT UPPER (A) DS58
- 259 E22 RH DOOR AND CAB MARKER LIGHTS FRONT RIGHT LOWER (A) DS59
- 260 RIGHT DOOR MARKER (A) DS61 CIRCUIT BREAKER CB41/15A
- 261 TRAILER MARKER LIGHT RELAY K28
- 262 E25 LH DOOR AND CAB MARKER LIGHTS FRONT LEFT LOWER (A) DS60 MARKER LIGHT RELAY K20
- 263 LEFT DOOR MARKER (A) DS62
- 264 CIRCUIT BREAKER CB85/20A CIRCUIT BREAKER CB67/25A CIRCUIT BREAKER CB80/25 TO REAR LIGHTS/TOWED 10/294
- 265 TO VAN MARKER LIGHTS 13/459
- 266 TO MARKER LIGHTS/TOWED 10/294 FROM MAIN LIGHT SWITCH 9/243
- 267 TO TRAILER MARKER LT 14/517

LIMITED RIGHTS STATEMENT:
 A. THIS DRAWING IS THE PROPERTY OF THE U.S. GOVERNMENT AND IS LOANED TO YOUR ORGANIZATION. IT AND ITS CONTENTS ARE NOT TO BE REPRODUCED OR TRANSMITTED IN ANY FORM OR BY ANY MEANS, ELECTRONIC OR MECHANICAL, INCLUDING PHOTOCOPYING, RECORDING, OR BY ANY INFORMATION STORAGE AND RETRIEVAL SYSTEM, WITHOUT PERMISSION IN WRITING FROM THE U.S. GOVERNMENT.

PNC		A	
MECHANICAL PROPERTIES		METRIC DO NOT SCALE DRAWING UNLESS OTHERWISE SPECIFIED DIMENSIONS ARE IN MILLIMETERS	
YD	TS	TOLERANCES ON ANGLES ± D PLACE DECIMALS ± F PLACE DECIMALS ±	
RA	RA	THIRD ANGLE PROJECTION	
BH	RA	DRAWING APPROVAL	
RH	RA	DESIGN APPROVAL	
NEXT ASSY USED ON		MAIL ENGR	MODELED BY
APPLICATION		DESIGN APPROVAL	SCALE

TVS FAMILY OF MEDIUM TACTICAL VEHICLES			
ELECTRICAL SCHEMATIC, AO - A1 LSAC			
SIZE	CAGE CODE	DWG NO	
E	OFW39	APC30422	
SCALE	NONE	LIMIT WT.	SHEET 9

REVISIONS			
ZONE REV	DESCRIPTION	DATE (YEAR-MO-DA)	APPROVED
-	INITIAL RELEASE PRODUCT BASELINE ECO10374	2008-09-02	A. CHAUDHURI
-			EDP JAC



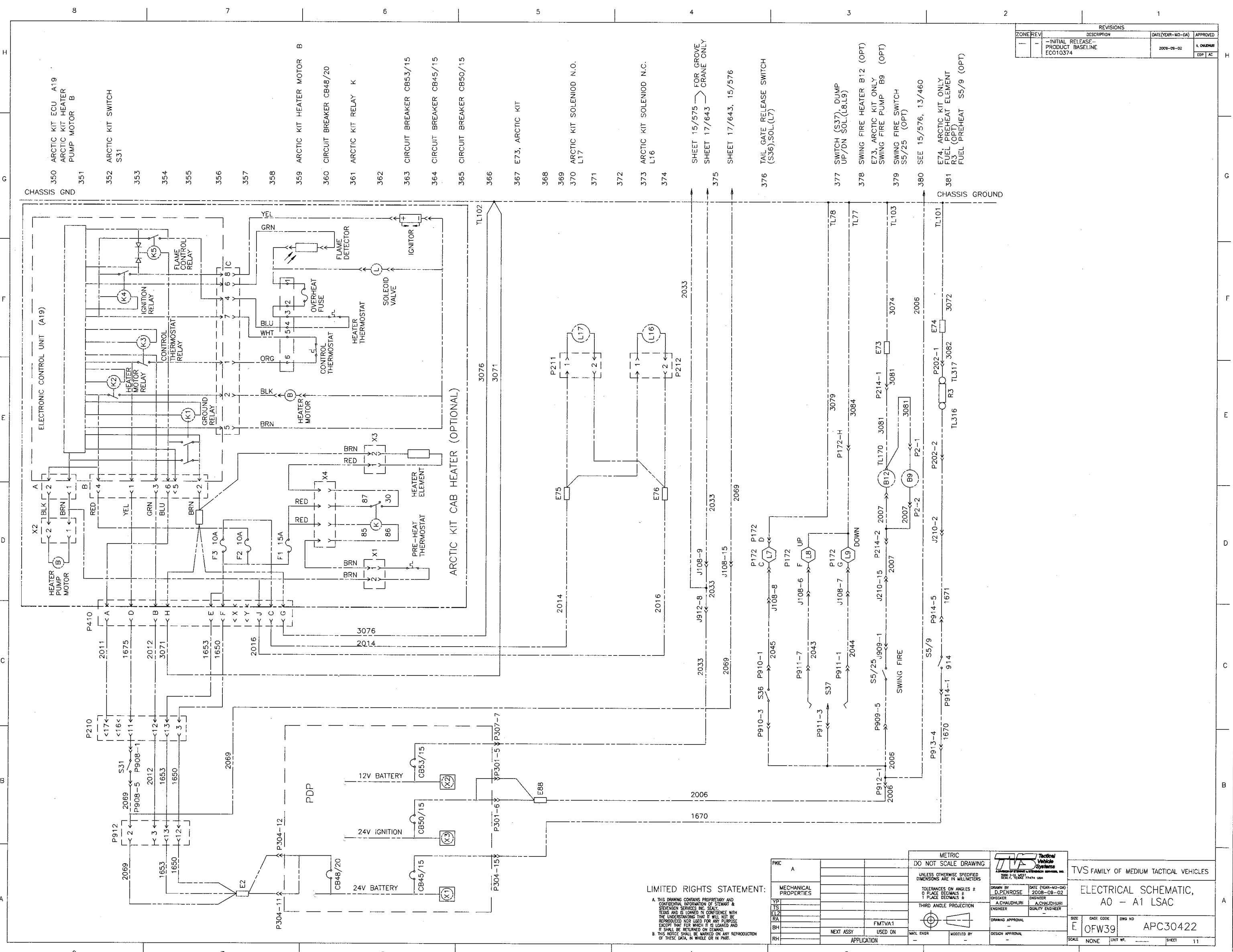
277 AUXILIARY POWER
278 MARKER LAMPS
279 REAR LIGHT SERVICE (FRONT)
280 SIDE MARKER LIGHT (LT)
281 SIDE MARKER LIGHT (RH) DS33
LWB ONLY
282 SIDE MARKER LIGHT (LH) DS40
LWB ONLY
283 LEFT REAR SIDE (R) DS65
E16 REAR LIGHTS NOT TRACTOR OR WRECKER
E51 REAR LIGHTS WRECKER
284 LEFT REAR/REAR (R) DS66
285 RIGHT REAR SIDE (R) DS67
E17 REAR LIGHTS NOT TRACTOR OR WRECKER
E44 REAR LIGHTS TRACTOR,
E52 REAR LIGHTS WRECKER
286 RIGHT REAR/REAR (R) DS68
287 LEFT HAND REAR CENTER DS69
E50, E49, E58 WRECKER
REAR (LD) MIDDLE (RY) DS70
E15, E21 REAR LIGHTS NOT TRACTOR OR WRECKER
E27, E28, E41, REAR LIGHTS TRACTOR
E64, REAR LIGHTS MTV LWB, MHE
288
289 RIGHT HAND REAR CENTER DS71
TL92, WRECKER ONLY
REAR COMPOSITE REAR LEFT DS72
E20 REAR LIGHTS NOT TRACTOR OR WRECKER
E52 REAR LIGHTS TRACTOR,
E59 REAR LIGHTS WRECKER
E53 REAR LIGHTS TRACTOR
E33 REAR LIGHTS TRACTOR
E54, E55 REAR LIGHTS WRECKER
E72 MTV LWB, MHE
E42 REAR LIGHTS TRACTOR
CIRCUIT BREAKER CB80/25
292 REAR LAMPS
P52M-1 TRACTOR ONLY
293 MARKER LAMPS
294 MARKER LAMPS, P52M-3 TRACTOR ONLY
FROM CB80 9/264
FROM CB67 9/266
[] SPlice E34 WORK LIGHTS TRACTOR
295 PORTABLE WORK LIGHT RIGHT HAND DS102
P134, WRECKER AND TRACTOR
P134A, WRECKER AND TRACTOR
E59 REAR LIGHTS WRECKER
CIRCUIT BREAKER CB72/15
296 PORTABLE WORK LIGHT RIGHT HAND DS103
E33 REAR LIGHTS TRACTOR
E53, E54, E55 REAR LIGHTS WRECKER
WORKLIGHT RELAY - K12
297 PORTABLE WORK LIGHT LEFT HAND DS104
P133, WRECKER AND TRACTOR
E58 REAR LIGHTS WRECKER
298 PORTABLE WORK LIGHT LEFT HAND DS105
P133A WRECKER AND TRACTOR
CIRCUIT BREAKER CB72/15
TRACTOR ONLY
299 PORTABLE WORKLIGHT ASSY (RH) MHE DS106
BLACKOUT OVERRIDE SWITCH - S5/8
SPlice E69 POWER CONTROL MHE
300 PORTABLE WORKLIGHT ASSY (LH) MHE DS107
301 WORKLIGHT SWITCH - S5/5
302 SHEET 8/220 K9-87
303
304 CHEMICAL ALARM "M42" (G.F.E.)
305 CHEMICAL DETECTOR "M43" (G.F.E.)
TO CHEMICAL DETECT INDICATOR 6/142
306 CIRCUIT BREAKER CB30/10A
307
308
309
310
311

LIMITED RIGHTS STATEMENT:



PHIC		METRIC	
A		DO NOT SCALE DRAWING	
UNLESS OTHERWISE SPECIFIED DIMENSIONS ARE IN MILLIMETERS		TOLERANCES ON ANGLES ± 0 PLACE DECIMALS ± 1 PLACE DECIMALS ±	
THIRD ANGLE PROJECTION		DRAWN BY: D. PENROSE DATE (YEAR-MO-DA): 2008-09-02	
MECHANICAL PROPERTIES		CHECKER: A. CHAUDHURI ENGINEER	
Y/P		DESIGN APPROVAL: A. CHAUDHURI QUALITY ENGINEER	
U/P		DRAWING APPROVAL: -	
RA		NEXT ASSY: USED ON	
BH		MAIL ENGR: MODELED BY: DESIGN APPROVAL: -	
RH		APPLICATION	

TVS FAMILY OF MEDIUM TACTICAL VEHICLES			
ELECTRICAL SCHEMATIC, A0 - A1 LSAC			
SIZE: E	CAGE CODE: OFW39	DWG NO: APC30422	SHEET: 10
SCALE: NONE	SHEET NO: -	SHEET: 10	



REVISIONS				
ZONE	REV	DESCRIPTION	DATE (YEAR-MO-DA)	APPROVED
-	-	- INITIAL RELEASE - PRODUCT BASELINE ECO10374	2008-09-02	A. CHAUDHURI EDP AC

- 350 ARCTIC KIT ECU A19
- 351 ARCTIC KIT HEATER PUMP MOTOR B
- 352 ARCTIC KIT SWITCH S31
- 353
- 354
- 355
- 356
- 357
- 358
- 359 ARCTIC KIT HEATER MOTOR B
- 360 CIRCUIT BREAKER CB48/20
- 361 ARCTIC KIT RELAY K
- 362
- 363 CIRCUIT BREAKER CB53/15
- 364 CIRCUIT BREAKER CB45/15
- 365 CIRCUIT BREAKER CB50/15
- 366
- 367 E73, ARCTIC KIT
- 368
- 369
- 370 ARCTIC KIT SOLENOID N.O. L17
- 371
- 372
- 373 ARCTIC KIT SOLENOID N.C. L16
- 374
- 375 SHEET 15/575 FOR GROVE
SHEET 17/643 CRANE ONLY
SHEET 17/643, 15/576
- 376 TAIL GATE RELEASE SWITCH (S36), SOL. (L7)
- 377 SWITCH (S37), DUMP UP/DN SOL. (L8, L9)
- 378 SWING FIRE HEATER B12 (OPT) E73, ARCTIC KIT ONLY
SWING FIRE PUMP B9 (OPT)
- 379 SWING FIRE SWITCH S5/25 (OPT)
- 380 SEE 15/576, 13/460
- 381 ARCTIC KIT ONLY
FUEL PREHEAT ELEMENT R3 (OPT)
FUEL PREHEAT S5/9 (OPT)

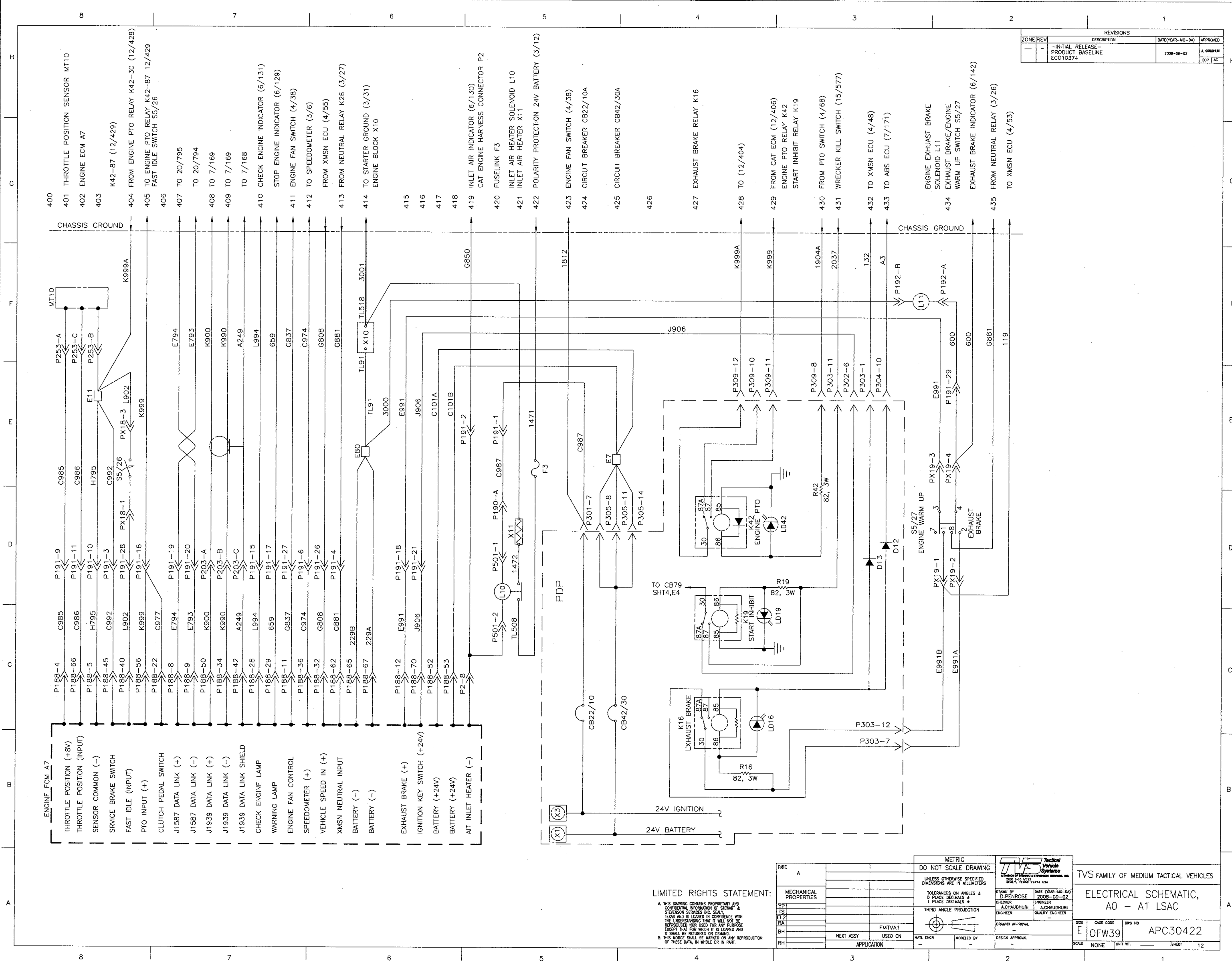
LIMITED RIGHTS STATEMENT:
 A. THIS DRAWING CONTAINS PROPRIETARY AND CONFIDENTIAL INFORMATION OF STEVENSON SERVICES INC. (SSI). THIS DRAWING IS LOANED TO YOU IN CONFIDENCE WITH THE UNDERSTANDING THAT IT WILL NOT BE REPRODUCED OR USED FOR ANY PURPOSES EXCEPT THAT FOR WHICH IT IS LOANED AND IT SHALL BE RETURNED ON DEMAND.
 B. THIS NOTICE SHALL BE MARKED ON ANY REPRODUCTION OF THESE DATA, IN WHOLE OR IN PART.

PHIC	A
MECHANICAL PROPERTIES	
YPT	
ITS	
ELP	
RA	
BH	
RH	

METRIC
 DO NOT SCALE DRAWING
 UNLESS OTHERWISE SPECIFIED DIMENSIONS ARE IN MILLIMETERS
 TOLERANCES ON ANGLES ± 0 PLACE DECIMALS ± 1 PLACE DECIMALS ± 1 PLACE DECIMALS ± 1 PLACE DECIMALS
 THIRD ANGLE PROJECTION
 FMTVA1
 USED ON
 APPLICATION

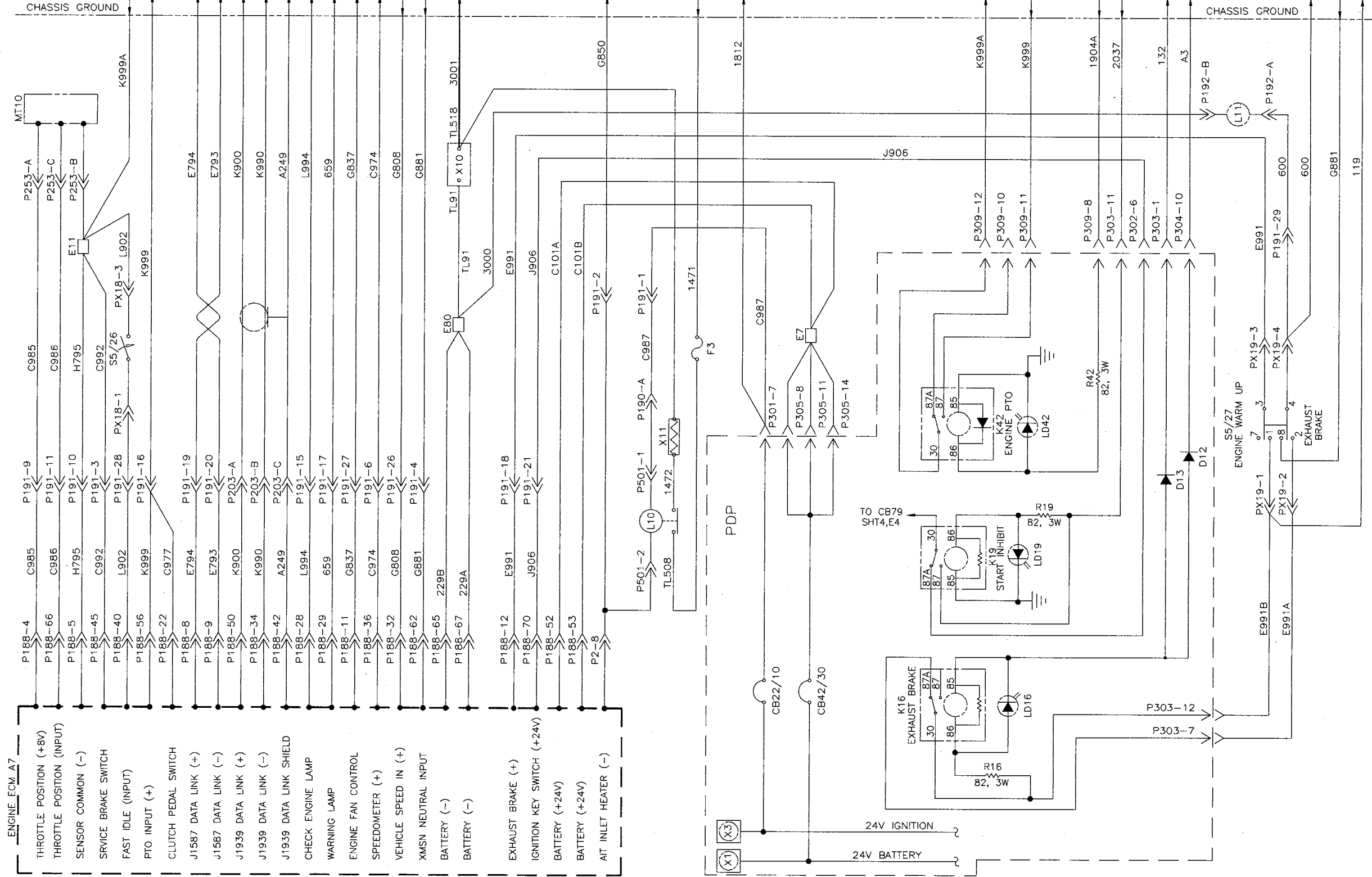
DESIGNED BY	D. PENROSE	DATE (YEAR-MO-DA)	2008-09-02
DRAWN BY	A. CHAUDHURI	DATE (YEAR-MO-DA)	2008-09-02
CHECKED BY	A. CHAUDHURI	DATE (YEAR-MO-DA)	2008-09-02
ENGINEER	A. CHAUDHURI	DATE (YEAR-MO-DA)	2008-09-02
QUALITY ENGINEER		DATE (YEAR-MO-DA)	

TVS FAMILY OF MEDIUM TACTICAL VEHICLES			
ELECTRICAL SCHEMATIC, AO - A1 LSAC			
SIZE	DATE CODE	ENG NO	
E	OFW39	APC30422	
SCALE	NONE	LIMIT WT.	SHEET 11



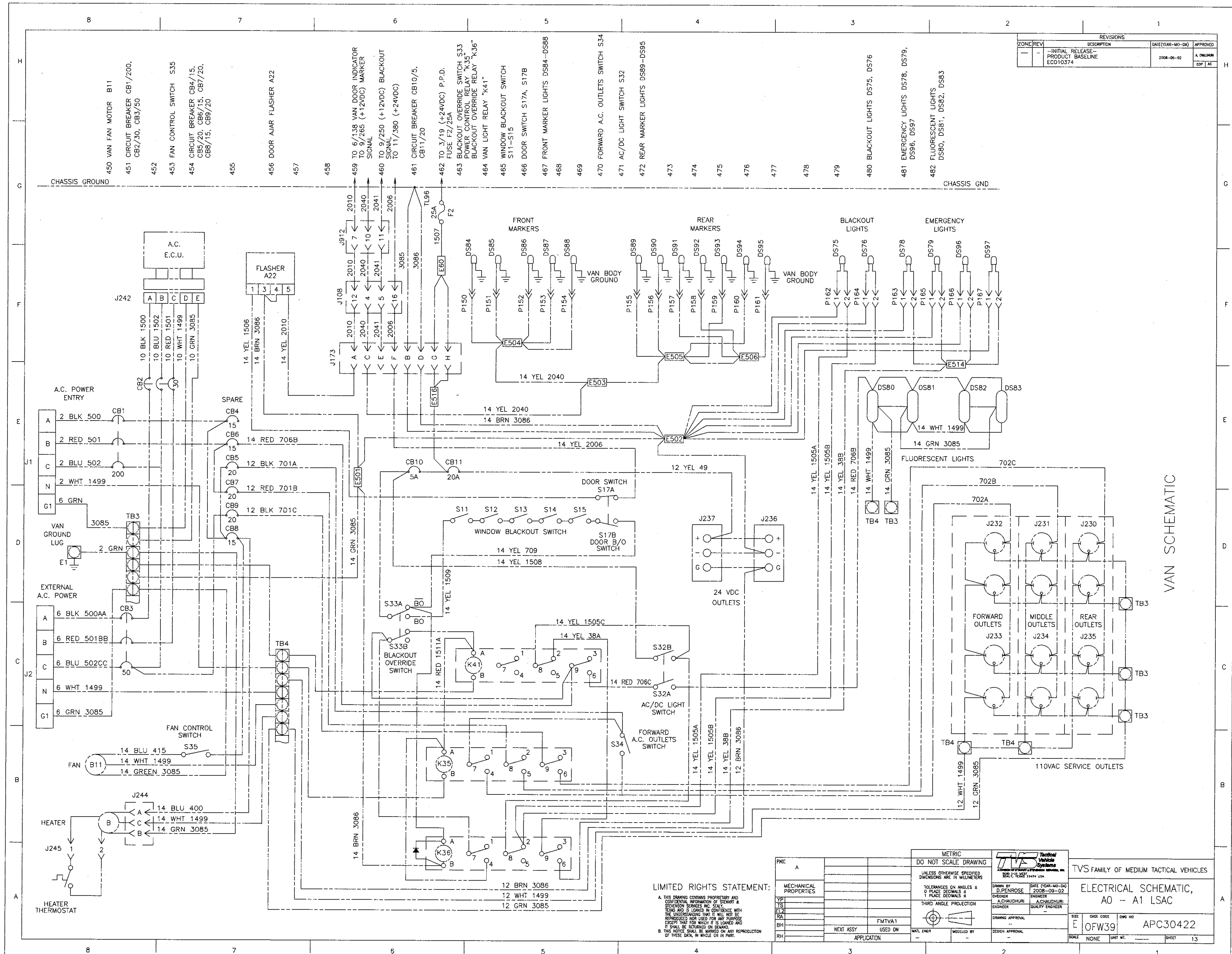
REVISIONS				
ZONE	REV	DESCRIPTION	DATE (YEAR-MO-DA)	APPROVED
-	-	- INITIAL RELEASE - PRODUCT BASELINE ECO10374	2008-09-02	A. CHAUDHARI
				EDP AC

- 400 CHASSIS GROUND
- 401 THROTTLE POSITION SENSOR MT10
- 402 ENGINE ECM A7
- 403 K42-87 (12/429)
- 404 FROM ENGINE PTO RELAY K42-30 (12/428)
- 405 TO ENGINE PTO RELAY K42-87 12/429
FAST IDLE SWITCH S5/26
- 406
- 407 TO 20/795
TO 20/794
- 408 TO 7/169
- 409 TO 7/169
- 410 TO 7/168
- 410 CHECK ENGINE INDICATOR (6/131)
- STOP ENGINE INDICATOR (6/129)
- 411 ENGINE FAN SWITCH (4/38)
- 412 TO SPEEDOMETER (3/6)
- FROM XMSN ECU (4/55)
- 413 FROM NEUTRAL RELAY K26 (3/27)
- 414 TO STARTER GROUND (3/31)
ENGINE BLOCK X10
- 415
- 416
- 417
- 418
- 419 INLET AIR INDICATOR (6/130)
- CAT ENGINE HARNESS CONNECTOR P2
- 420 FUSELINK F3
- INLET AIR HEATER SOLENOID L10
- 421 INLET AIR HEATER X11
- 422 POLARITY PROTECTION 24V BATTERY (3/12)
- 423 ENGINE FAN SWITCH (4/38)
- 424 CIRCUIT BREAKER CB22/10A
- 425 CIRCUIT BREAKER CB42/30A
- 426
- 427 EXHAUST BRAKE RELAY K16
- 428 TO (12/404)
- 429 FROM CAT ECM (12/406)
ENGINE PTO RELAY K42
START INHIBIT RELAY K19
- 430 FROM PTO SWITCH (4/68)
- 431 WRECKER KILL SWITCH (15/577)
- 432 TO XMSN ECU (4/48)
- 433 TO ABS ECU (7/171)
- ENGINE EXHAUST BRAKE
SOLENOID L11
- 434 EXHAUST BRAKE/ENGINE
WARM UP SWITCH S5/27
- EXHAUST BRAKE INDICATOR (6/142)
- 435 FROM NEUTRAL RELAY (3/26)
TO XMSN ECU (4/53)



LIMITED RIGHTS STATEMENT:
 A. THIS DRAWING CONTAINS PROPRIETARY AND CONFIDENTIAL INFORMATION OF STEARNS & STEVENSON SERVICES INC. SEALY, LEAS AND IS LOANED IN CONFIDENCE WITH THE UNDERSTANDING THAT IT WILL NOT BE REPRODUCED OR USED FOR ANY PURPOSE EXCEPT THAT FOR WHICH IT IS LOANED AND IT SHALL BE RETURNED ON DEMAND.
 B. THIS NOTICE SHALL BE MARKED ON ANY REPRODUCTION OF THESE DATA, IN WHOLE OR IN PART.

PHIC	A	METRIC	DO NOT SCALE DRAWING		TVS FAMILY OF MEDIUM TACTICAL VEHICLES													
MECHANICAL PROPERTIES		UNLESS OTHERWISE SPECIFIED DIMENSIONS ARE IN MILLIMETERS			ELECTRICAL SCHEMATIC, AO - AT LSAC													
DATE		TOLERANCES ON ANGLES ± 0 PLACE DECIMALS ± 1 PLACE DECIMALS ±		<table border="1"> <tr> <td>DRAWN BY</td> <td>D. PENROSE</td> <td>DATE (YEAR-MO-DA)</td> <td>2008-09-02</td> </tr> <tr> <td>CHECKED BY</td> <td>A. CHAUDHURI</td> <td>ENGINEER</td> <td></td> </tr> <tr> <td>DESIGNED BY</td> <td>A. CHAUDHURI</td> <td>QUALITY ENGINEER</td> <td></td> </tr> </table>	DRAWN BY	D. PENROSE	DATE (YEAR-MO-DA)	2008-09-02	CHECKED BY	A. CHAUDHURI	ENGINEER		DESIGNED BY	A. CHAUDHURI	QUALITY ENGINEER		SIZE	
DRAWN BY	D. PENROSE	DATE (YEAR-MO-DA)	2008-09-02															
CHECKED BY	A. CHAUDHURI	ENGINEER																
DESIGNED BY	A. CHAUDHURI	QUALITY ENGINEER																
BY		THIRD ANGLE PROJECTION		E														
APP'D		FORM TVA-1		GAGE CODE														
REV		NEXT ASSY USED ON		OFW39														
		APPLICATION		DWG NO														
				APC30422														
				SCALE	NONE													
				SHEET	12													



ZONE/REV	DESCRIPTION	DATE (YEAR-MO-DA)	APPROVED
1	INITIAL RELEASE PRODUCT BASELINE ECO10374	2008-09-02	A. CHAUDHURI
2			EDP/AC

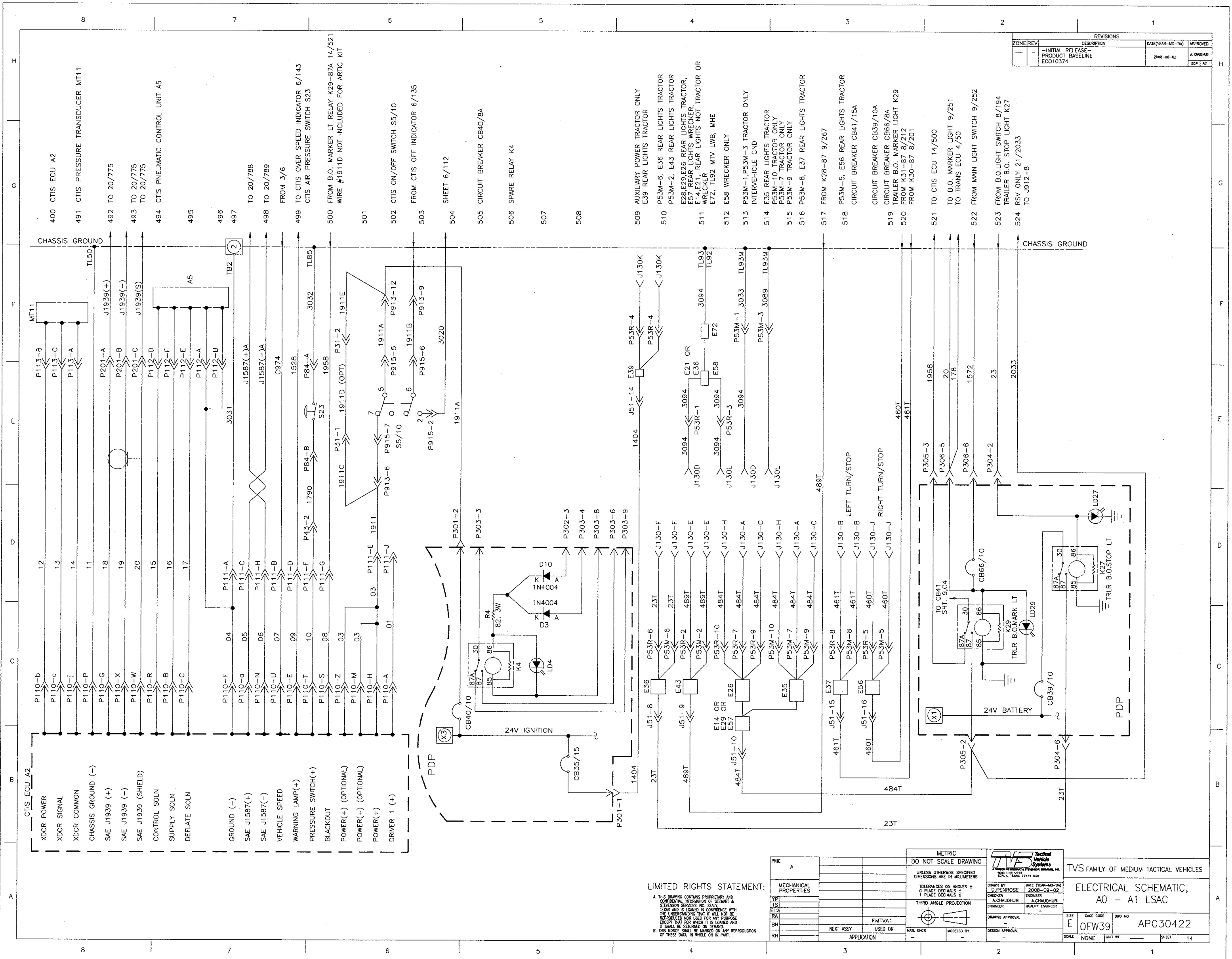
VAN SCHEMATIC

LIMITED RIGHTS STATEMENT:
 A. THIS DRAWING CONTAINS PROPRIETARY AND CONFIDENTIAL INFORMATION OF STEWART & SENSATION SERVICES INC. REPLY, TEXAS AND IS LOANED IN CONFIDENCE WITH THE UNDERSTANDING THAT IT WILL NOT BE REPRODUCED OR USED FOR ANY PURPOSE EXCEPT THAT FOR WHICH IT IS LOANED AND IT SHALL BE RETURNED ON DEMAND.
 B. THIS NOTICE SHALL BE MARKED ON ANY REPRODUCTION OF THESE DATA, IN WHOLE OR IN PART.

REV	DATE	DESCRIPTION
1		
2		

DESIGNED BY	D. PENROSE	DATE (YEAR-MO-DA)	2008-09-02
CHECKED	A. CHAUDHURI	ENGINEER	A. CHAUDHURI
ENGINEER		QUALITY ENGINEER	
DRAWING APPROVAL			

TVS FAMILY OF MEDIUM TACTICAL VEHICLES			
ELECTRICAL SCHEMATIC, A0 - A1 LSAC			
SIZE	E	CAGE CODE	OFW39
SCALE	NONE	DWG NO	APC30422
SHEET	13		



REVISIONS				
ZONE	REV	DESCRIPTION	DATE (YEAR-MO-DA)	APPROVED
-	-	INITIAL RELEASE - PRODUCT BASELINE ECU10374	2008-09-02	A. CHAUDHURI
-	-			EDP AC

- 400 CTIS ECU A2
- 491 CTIS PRESSURE TRANSDUCER MT11
- 492 TO 20/775
- 493 TO 20/775 TO 20/775
- 494 CTIS PNEUMATIC CONTROL UNIT A5
- 495
- 496
- 497
- TO 20/788
- 498 TO 20/789
- FROM 3/6
- 499 TO CTIS OVER SPEED INDICATOR 6/143
- CTIS AIR PRESSURE SWITCH S23
- 500 FROM B.O. MARKER LT RELAY K29-87A 14/521
- WIRE #1911D NOT INCLUDED FOR ARTIC KIT
- 501
- 502 CTIS ON/OFF SWITCH S5/10
- FROM CTIS OFF INDICATOR 6/135
- 503
- 504 SHEET 6/112
- 505 CIRCUIT BREAKER CB40/8A
- 506 SPARE RELAY K4
- 507
- 508
- 509 AUXILIARY POWER TRACTOR ONLY
- E39 REAR LIGHTS TRACTOR
- 510 P53M-6, E36 REAR LIGHTS TRACTOR
- P53M-2, E43 REAR LIGHTS TRACTOR
- E28, E29, E26 REAR LIGHTS TRACTOR,
- E57 REAR LIGHTS WRECKER,
- E74, E21, REAR LIGHTS NOT TRACTOR OR
- WRECKER
- E72, TL92 MTV LWB, WHE
- 512 E58 WRECKER ONLY
- 513 P53M-1, P53M-3 TRACTOR ONLY
- INTERVEHICLE GND
- 514 E35 REAR LIGHTS TRACTOR
- P53M-10 TRACTOR ONLY
- P53M-9 TRACTOR ONLY
- 515 P53M-9 TRACTOR ONLY
- 516 P53M-8, E37 REAR LIGHTS TRACTOR
- 517 FROM K28-87 9/267
- 518 P53M-5, E56 REAR LIGHTS TRACTOR
- CIRCUIT BREAKER CB41/15A
- CIRCUIT BREAKER CB39/10A
- 519 CIRCUIT BREAKER CB66/8A
- TRAILER B.O. MARKER LIGHT K29
- 520 FROM K31-87 8/212
- FROM K30-87 8/201
- 521 TO CTIS ECU 14/500
- TO B.O. MARKER LIGHT 9/251
- TO TRANS ECU 4/50
- 522 FROM MAIN LIGHT SWITCH 9/252
- 523 FROM B.O. LIGHT SWITCH 8/194
- TRAILER B.O. STOP LIGHT K27
- 524 RSV ONLY 21/2033
- TO J912-8

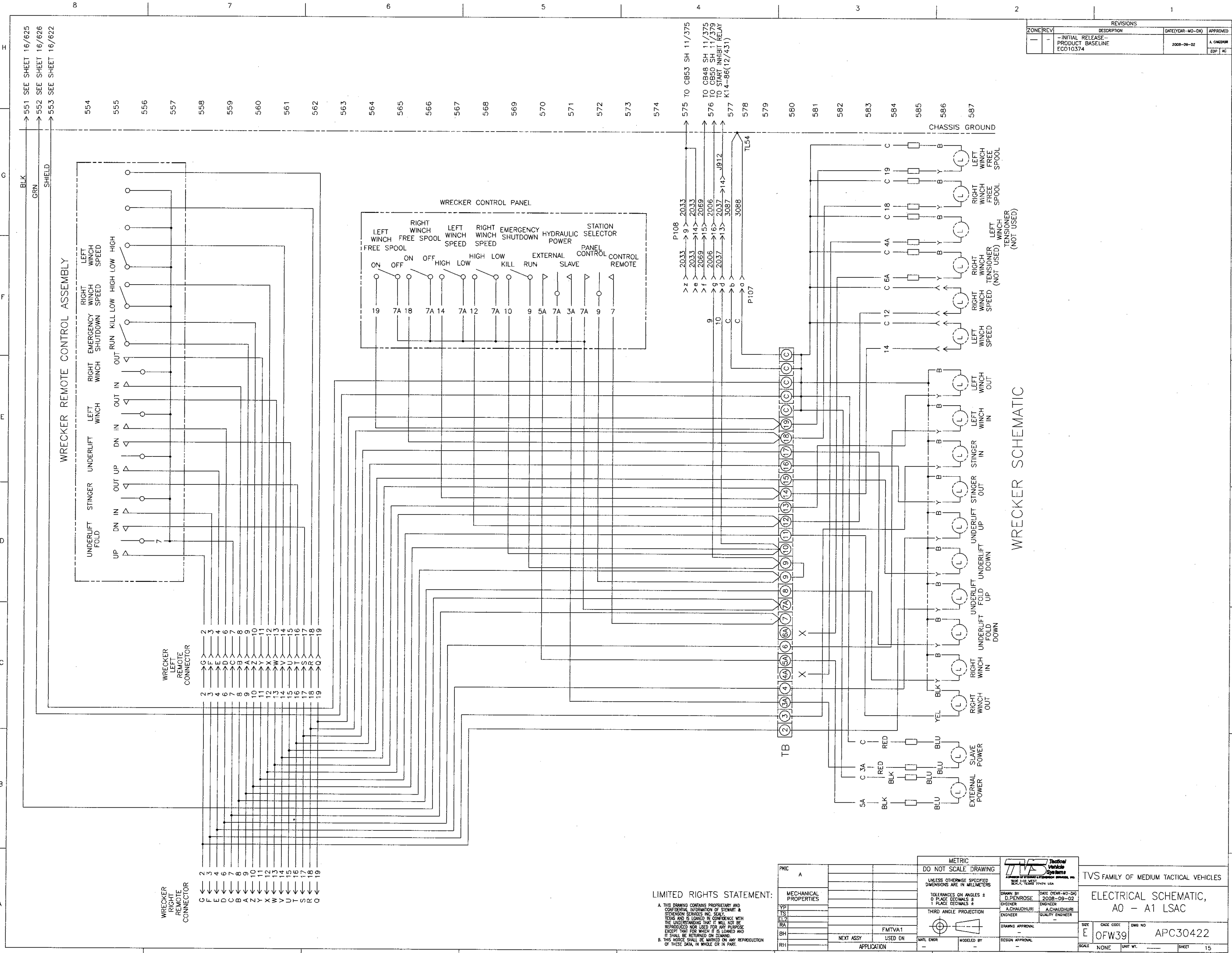
LIMITED RIGHTS STATEMENT:

A. THIS DRAWING CONTAINS PROPRIETARY AND CONFIDENTIAL INFORMATION OF STEVENSON & STEVENSON SERVICES INC. SEAL, TEXAS AND IS LOANED IN CONFIDENCE WITH THE UNDERSTANDING THAT IT WILL NOT BE REPRODUCED NOR USED FOR ANY PURPOSE EXCEPT THAT FOR WHICH IT IS LOANED AND IT SHALL BE RETURNED ON DEMAND.

B. THIS NOTICE SHALL BE MARKED ON ANY REPRODUCTION OF THESE DATA, IN WHOLE OR IN PART.

PHIC		METRIC		TVS FAMILY OF MEDIUM TACTICAL VEHICLES	
A		DO NOT SCALE DRAWING		ELECTRICAL SCHEMATIC, A0 - A1 LSAC	
UNLESS OTHERWISE SPECIFIED DIMENSIONS ARE IN MILLIMETERS		TOLERANCES ON ANGLES ± 0 PLACE DECIMALS ± 1 PLACE DECIMALS ±		DRAWN BY: D. PENROSE DATE (YEAR-MO-DA) 2008-09-02	
THIRD ANGLE PROJECTION		DRAWN BY: A. CHAUDHURI		ENGINEER: A. CHAUDHURI	
NEXT ASSY USED ON		DRAWING APPROVAL		QUALITY ENGINEER	
APPLICATION		MAIL ENGR		DESIGN APPROVAL	
SIZE		SCALE		SHEET 14	
DWG NO		LWT WT.		APC30422	

REVISIONS				
ZONE	REV	DESCRIPTION	DATE(YEAR-MO-DA)	APPROVED
-	-	- INITIAL RELEASE - PRODUCT BASELINE ECC10374	2008-08-02	L. CHANDER EDP/AC

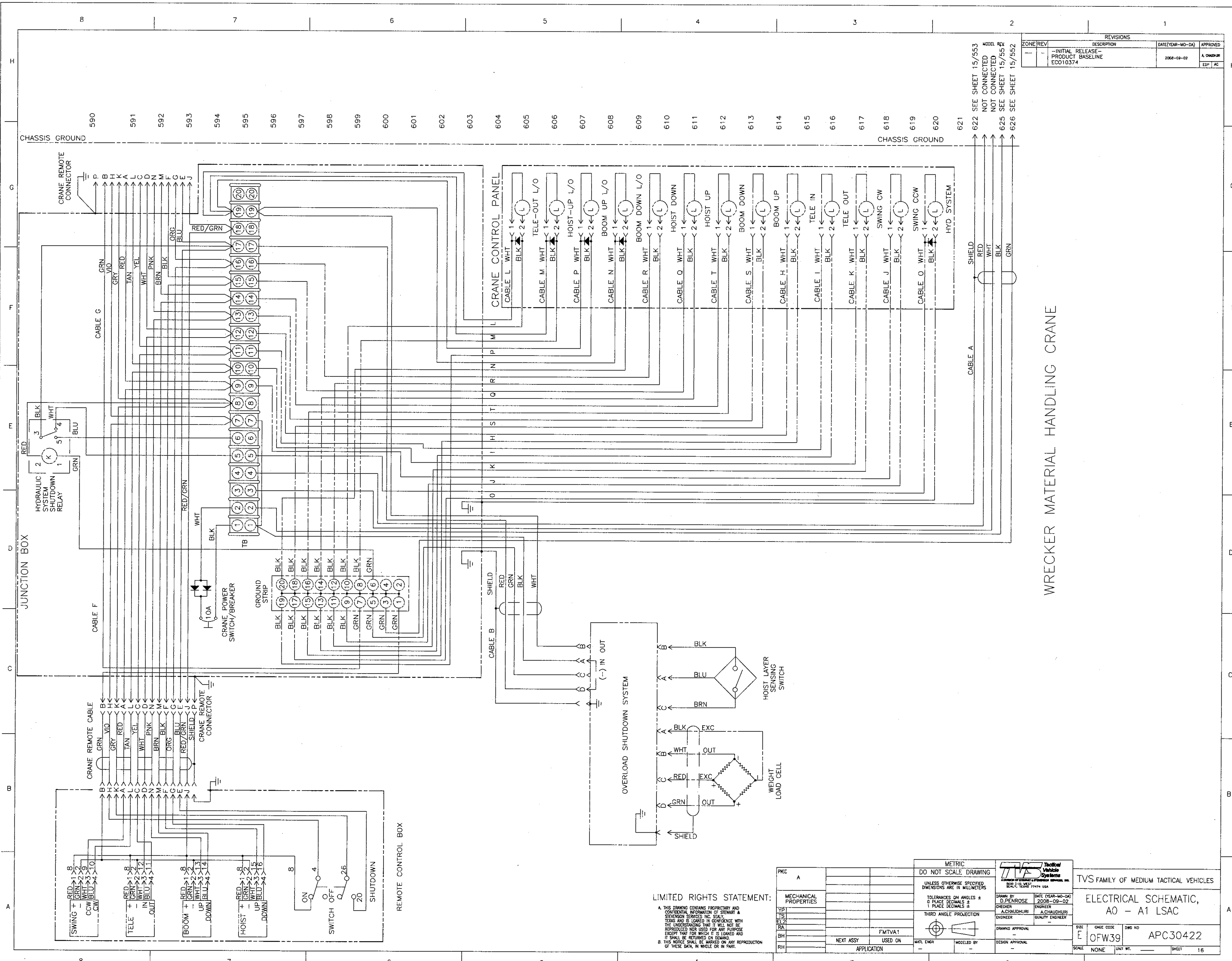


WRECKER SCHEMATIC

LIMITED RIGHTS STATEMENT:

A. THIS DRAWING CONTAINS PROPRIETARY AND CONFIDENTIAL INFORMATION OF STENSON & STENSON SERVICES INC. SEAL, TRADE AND IS LOANED BY CONFERENCE WITH THE UNDERSTANDING THAT IT WILL NOT BE REPRODUCED NOR USED FOR ANY PURPOSE EXCEPT THAT FOR WHICH IT IS LOANED AND IT SHALL BE RETURNED ON DEMAND.
 B. THIS NOTICE SHALL BE MARKED ON ANY REPRODUCTION OF THESE DATA, IN WHOLE OR IN PART.

PHIC A		METRIC DO NOT SCALE DRAWING				TVS FAMILY OF MEDIUM TACTICAL VEHICLES	
MECHANICAL PROPERTIES		UNLESS OTHERWISE SPECIFIED DIMENSIONS ARE IN MILLIMETERS		<small> DRAWN BY: D. PENROSE CHECKER: A. CHAUDHURI ENGINEER: A. CHAUDHURI QUALITY ENGINEER: </small>		ELECTRICAL SCHEMATIC, AO - A1 LSAC	
NEXT ASSY USED ON		MAIL ENR		<small> TOLERANCES ON ANGLES: ± 0 PLACE DECIMALS ± 3 THIRD ANGLE PROJECTION </small>		<small> DATE (YEAR-MO-DA): 2008-09-02 ENGINEER: A. CHAUDHURI QUALITY ENGINEER: </small>	
APPLICATION		MODELED BY		DESIGN APPROVAL		<small> SIZE: E CASE CODE: QFW39 DWG NO: APC30422 SCALE: NONE UNIT WT: SHEET 15 </small>	



WRECKER MATERIAL HANDLING CRANE

REVISIONS				
ZONE	REV	DESCRIPTION	DATE (YEAR-MO-DA)	APPROVED
-	-	INITIAL RELEASE - PRODUCT BASELINE ECO10374	2008-09-02	A. CHAUDHURI EEP AC

622 SEE SHEET 15/553
 NOT CONNECTED
 NOT CONNECTED
 625 SEE SHEET 15/552
 626 SEE SHEET 15/552

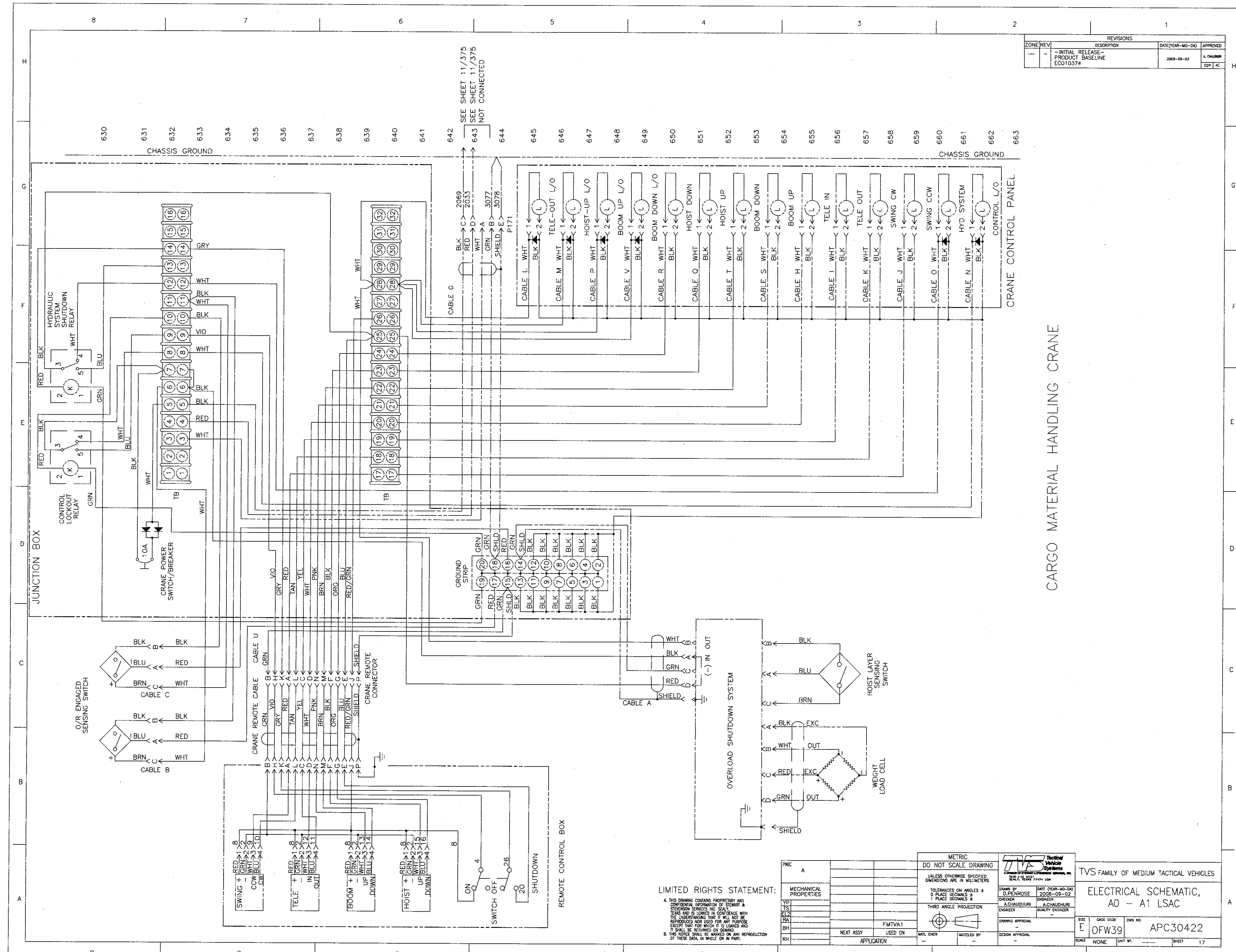
LIMITED RIGHTS STATEMENT:

A. THIS DRAWING CONTAINS PROPRIETARY AND CONFIDENTIAL INFORMATION OF STEWART & SUTHERLAND SERVICES, INC. SUCH INFORMATION IS LOANED TO YOU IN CONFIDENCE WITH THE UNDERSTANDING THAT IT WILL NOT BE REPRODUCED NOR USED FOR ANY PURPOSE EXCEPT THAT FOR WHICH IT IS LOANED AND IT SHALL BE RETURNED ON DEMAND.
 B. THIS NOTICE SHALL BE MARKED ON ANY REPRODUCTION OF THESE DATA, IN WHOLE OR IN PART.

PHIC	A	METRIC	DO NOT SCALE DRAWING
MATERIAL PROPERTIES		UNLESS OTHERWISE SPECIFIED TOLERANCES ON ANGLES ± 0 PLACE DECIMALS ± 1 PLACE DECIMALS ±	
FIN		THIRD ANGLE PROJECTION	
RA		NEXT ASSY USED ON	
BH		DATE ENGR	MODELED BY
RH		DESIGN APPROVAL	

TVS FAMILY OF MEDIUM TACTICAL VEHICLES			
ELECTRICAL SCHEMATIC, AO - A1 LSAC			
SIZE	E	CAGE CODE	OFW39
DWG NO	APC30422		
SCALE	NONE	SHEET	16

REVISIONS				
ZONE	REV	DESCRIPTION	DATE (YEAR-MO-DA)	APPROVED
-	-	INITIAL RELEASE - PRODUCT BASELINE ECU010374	2008-09-02	A CHAUDHARI
				ESP JC



CARGO MATERIAL HANDLING CRANE

LIMITED RIGHTS STATEMENT:

A. THIS DRAWING CONTAINS PROPRIETARY AND CONFIDENTIAL INFORMATION OF STEARNS & STEVENSON SERVICES INC. ANY REPRODUCTION OR DISSEMINATION OF THIS DRAWING WITHOUT THE WRITTEN PERMISSION OF STEARNS & STEVENSON SERVICES INC. IS STRICTLY PROHIBITED. THIS DRAWING IS THE PROPERTY OF STEARNS & STEVENSON SERVICES INC. AND IS LOANED TO YOU IN CONFIDENCE. IT IS NOT TO BE REPRODUCED OR USED FOR ANY PURPOSE EXCEPT THAT FOR WHICH IT IS LOANED AND IT SHALL BE RETURNED ON DEMAND. B. THIS NOTICE SHALL BE MARKED ON ANY REPRODUCTION OF THESE DATA IN WHOLE OR IN PART.

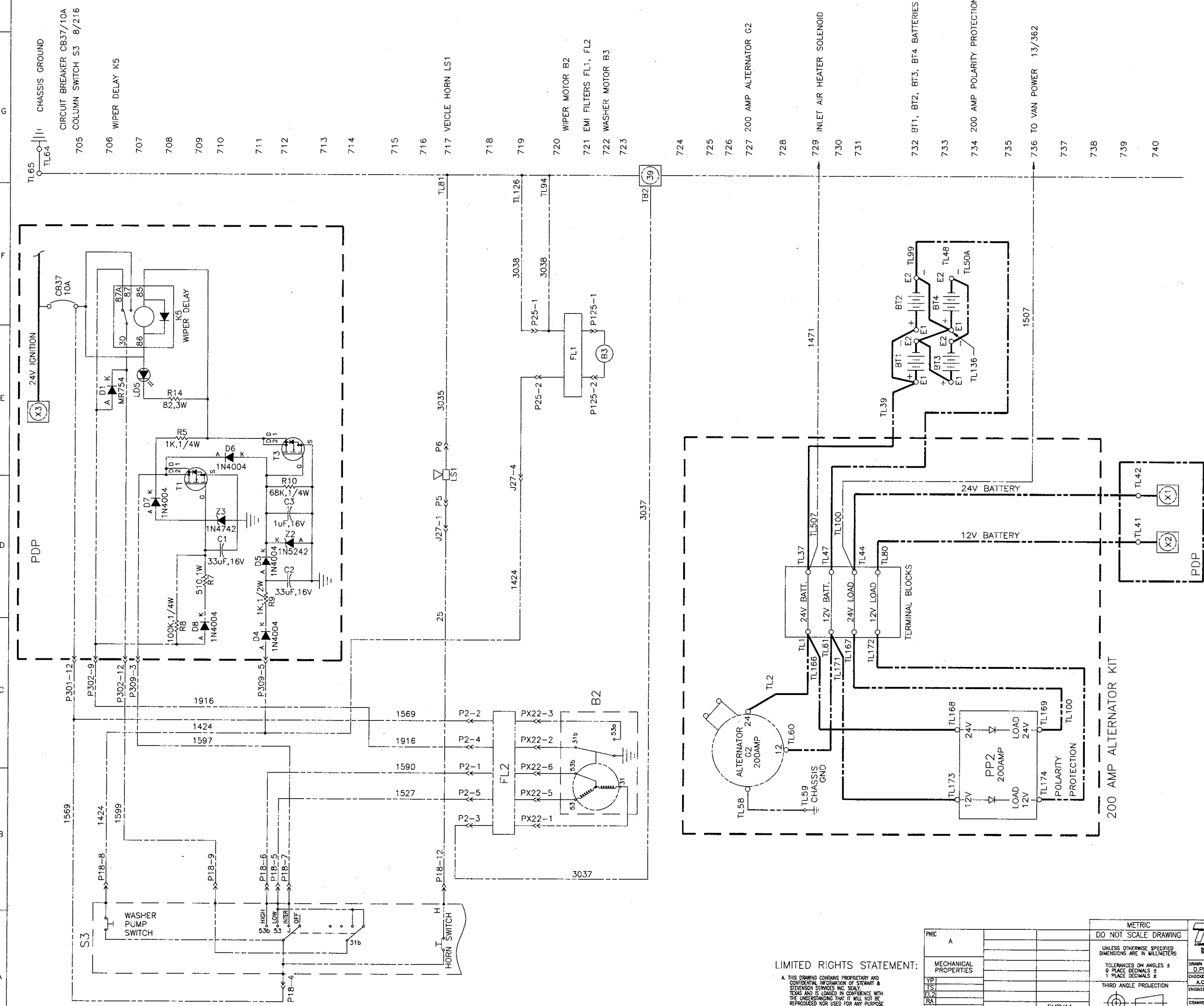
PNIC	MECHANICAL PROPERTIES	DATE	APPROVAL
A			
TYPE			
TEST			
ELZ			
RA			
BH			
RH			

DATE	APPROVAL
2008-09-02	

	DRAWN BY: D.PENROSE CHECKED: A.CHAUDHARI ENGINEER: A.CHAUDHARI QUALITY ENGINEER:
--	---

TVS FAMILY OF MEDIUM TACTICAL VEHICLES			
ELECTRICAL SCHEMATIC, A0 - A1 LSAC			
SIZE: E	CAGE CODE: OFW39	DWG NO: APC30422	
SCALE: NONE	DWT WT:	SHEET: 17	

REVISIONS				
ZONE	REV	DESCRIPTION	DATE (YEAR-MO-DA)	APPROVED
-	-	INITIAL RELEASE - PRODUCT BASELINE	2008-09-02	A. CHADHURI
-	-	ECC010374		ESP JAC



8
7
6
5
4
3
2
1

H
G
F
E
D
C
B
A

TL65
TL64
TL63
TL62
TL61
TL60
TL59
TL58
TL57
TL56
TL55
TL54
TL53
TL52
TL51
TL50
TL49
TL48
TL47
TL46
TL45
TL44
TL43
TL42
TL41
TL40
TL39
TL38
TL37
TL36
TL35
TL34
TL33
TL32
TL31
TL30
TL29
TL28
TL27
TL26
TL25
TL24
TL23
TL22
TL21
TL20
TL19
TL18
TL17
TL16
TL15
TL14
TL13
TL12
TL11
TL10
TL9
TL8
TL7
TL6
TL5
TL4
TL3
TL2
TL1

705 CIRCUI BREAKER CB37/10A
COLUMN SWITCH S3 8/216

706 WIPER DELAY K5

707

708

709

710

711

712

713

714

715

716

717 VEICLE HORN LS1

718

719

720 WIPER MOTOR B2

721 EMI FILTERS FL1, FL2

722 WASHER MOTOR B3

723

724

725

726

727 200 AMP ALTERNATOR G2

728

729 INLET AIR HEATER SOLENOID 12/422

730

731

732 BT1, BT2, BT3, BT4 BATTERIES

733

734 200 AMP POLARITY PROTECTION DEVICE PP2

735

736 TO VAN POWER 13/362

737

738

739

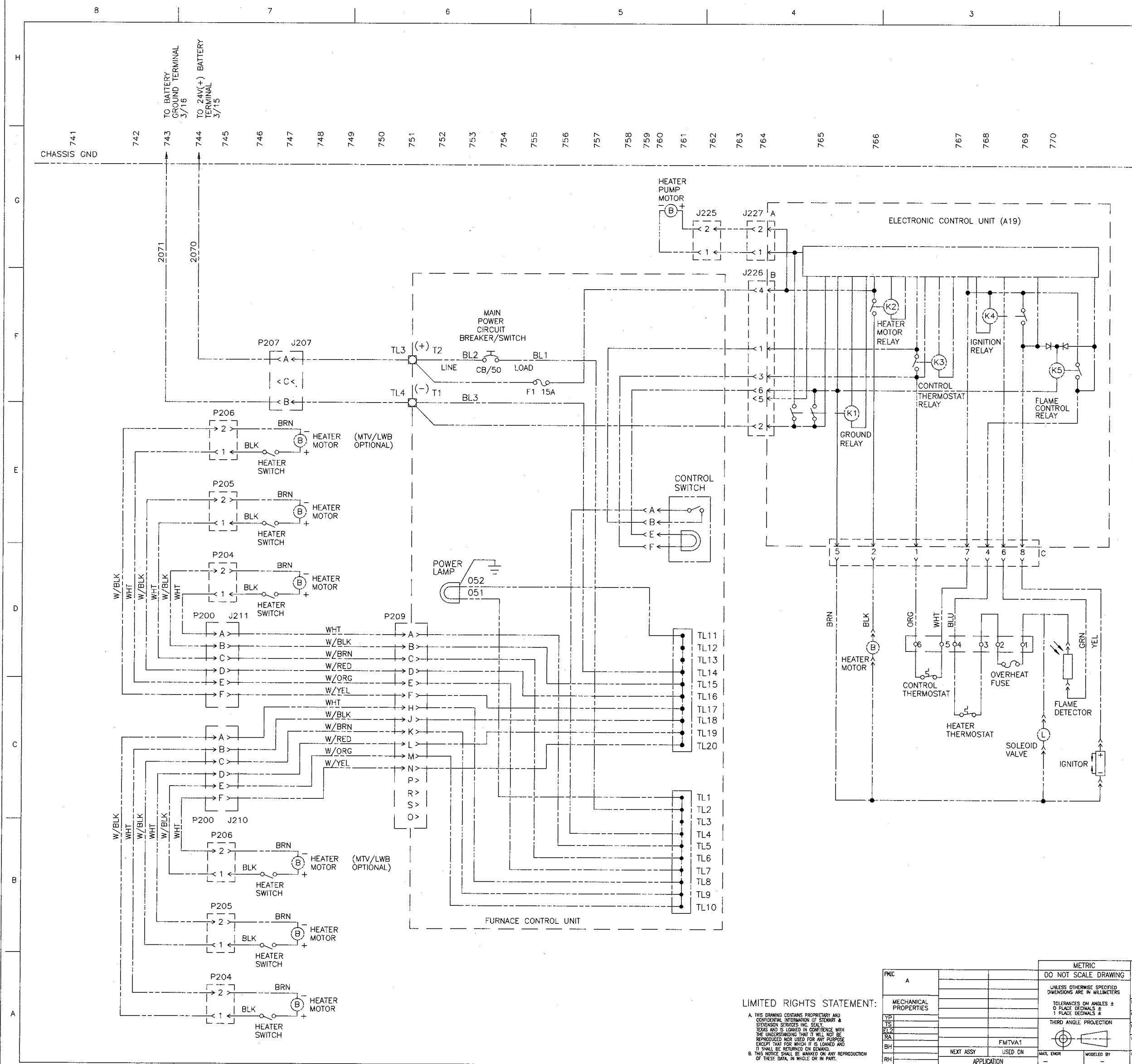
740

LIMITED RIGHTS STATEMENT:

A. THIS DRAWING CONTAINS PROPRIETARY AND CONFIDENTIAL INFORMATION OF STEWAR & STEVENSON SERVICES INC. SEAL. THIS DRAWING IS LOANED IN CONFERENCE WITH THE UNDERSTANDING THAT IT WILL NOT BE REPRODUCED NOR USED FOR ANY PURPOSE EXCEPT THAT FOR WHICH IT IS LOANED AND IT SHALL BE RETURNED ON DEMAND. B. THIS NOTICE SHALL BE MARKED ON ANY REPRODUCTION OF THESE DATA, IN WHOLE OR IN PART.

PHYSICAL PROPERTIES		METRIC		TVA	
MECHANICAL PROPERTIES		DO NOT SCALE DRAWING		TVA Vehicle Systems	
		UNLESS OTHERWISE SPECIFIED DIMENSIONS ARE IN MILLIMETERS		TVA FAMILY OF MEDIUM TACTICAL VEHICLES	
		TOLERANCES ON ANGLES ± 0 PLACE DECIMALS ± 1 PLACE DECIMALS ±		ELECTRICAL SCHEMATIC, A0 - A1 LSAC	
		THIRD ANGLE PROJECTION		SIZE E	
				DATE (YEAR-MO-DA)	2008-09-02
				ENGINEER	A. CHADHURI
				QUALITY ENGINEER	
				DESIGN APPROVAL	
				SCALE	NONE
				SHEET	18

ZONE REV		REVISIONS	
NO.	DESCRIPTION	DATE (YEAR-MO-DA)	APPROVED
1	-INITIAL RELEASE- PRODUCT BASELINE ECO10374	2008-09-02	A. CHAUDHARI ECP/AC

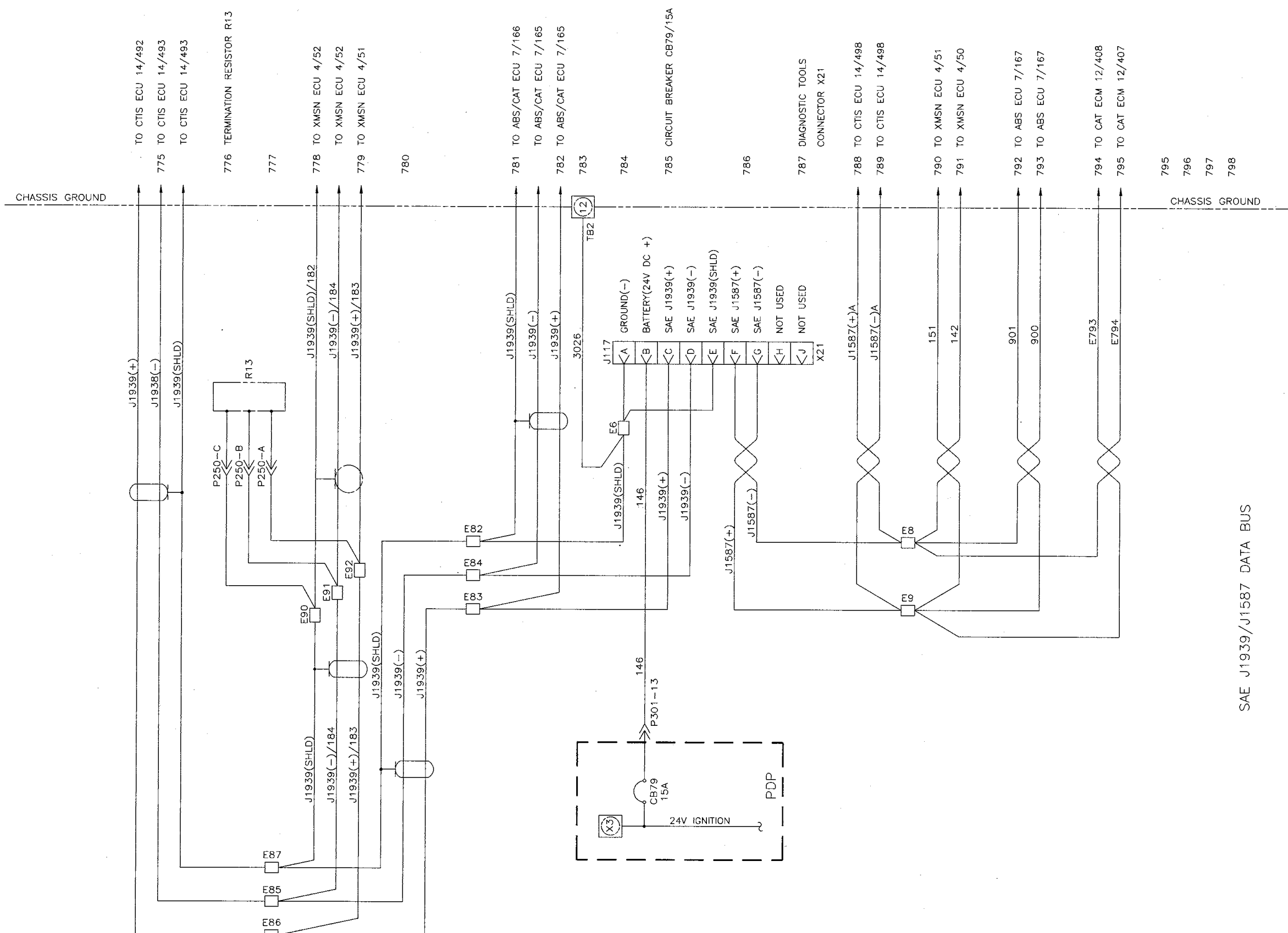


ARCTIC KIT TROOP HEATER (OPTIONAL)

LIMITED RIGHTS STATEMENT:
 A. THIS DRAWING CONTAINS PROPRIETARY AND CONFIDENTIAL INFORMATION OF STEWART & STEVENSON SERVICES INC. (SSSI) TEXAS AND IS LOANED IN CONFIDENCE WITH THE UNDERSTANDING THAT IT WILL NOT BE REPRODUCED NOR USED FOR ANY PURPOSE EXCEPT THAT FOR WHICH IT IS LOANED AND IT SHALL BE RETURNED ON DEMAND.
 B. THIS MOTOR SHALL BE MARKED ON ANY REPRODUCTION OF THESE DATA, IN WHOLE OR IN PART.

P/N: A		METRIC DO NOT SCALE DRAWING		TVS Technical Vehicle Systems	
MECHANICAL PROPERTIES		UNLESS OTHERWISE SPECIFIED DIMENSIONS ARE IN MILLIMETERS		TVS FAMILY OF MEDIUM TACTICAL VEHICLES	
TYPE		TOLERANCES ON ANGLES ± 0° PLACE DECIMALS ± 1° PLACE DECIMALS ±		DRAWN BY: D. PENROSE DATE (YEAR-MO-DA): 2008-09-02	
ITS		THIRD ANGLE PROJECTION		CHECKER: A. CHAUDHURI ENGINEER	
EL2		FMTVA1		ENGINEER: A. CHAUDHURI QUALITY ENGINEER	
RA		NEXT ASSY USED ON APPLICATION		DRAWING APPROVAL: _____	
BH		MAIL ENGR		DESIGN APPROVAL: _____	
RH		MODELED BY		SIZE: E CASE CODE: OFW39 DWG NO: APC30422	
				SCALE: NONE UNIT WT. SHEET: 19	

ZONE/REV		REVISIONS		DATE (YEAR-MO-DA)	APPROVED
---	---	---	---	---	---
---		INITIAL RELEASE- PRODUCT BASELINE ECO10374		2008-09-02	A. CHAUDHURI EDP/AC



SAE J1939/J1587 DATA BUS

LIMITED RIGHTS STATEMENT:

A. THIS DRAWING CONTAINS PROPRIETARY AND CONFIDENTIAL INFORMATION OF STEARNS & STRICKLAND SERVICES, INC. (SSS) AND IS LOANED IN CONFIDENCE WITH THE UNDERSTANDING THAT IT WILL NOT BE REPRODUCED NOR USED FOR ANY PURPOSE EXCEPT THAT FOR WHICH IT IS LOANED AND IT SHALL BE RETURNED ON DEMAND. B. THIS NOTICE SHALL BE MARKED ON ANY REPRODUCTION OF THESE DATA, IN WHOLE OR IN PART.

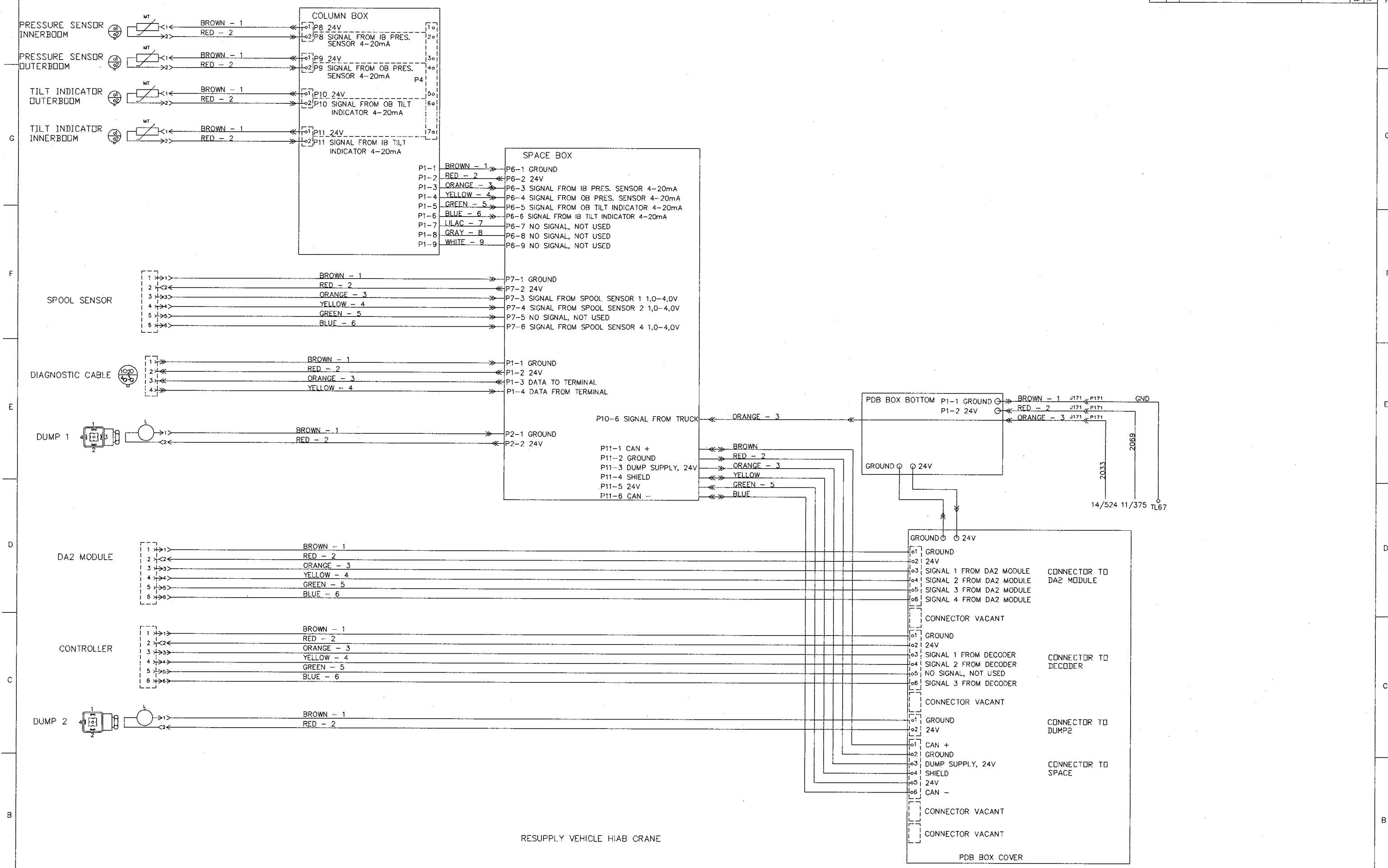
PHC	A
MECHANICAL PROPERTIES	
YR	
TS	
ET2	
SA	
EH	
RH	
APPLICATION	

METRIC	
DO NOT SCALE DRAWING	
UNLESS OTHERWISE SPECIFIED DIMENSIONS ARE IN MILLIMETERS	
TOLERANCES ON ANGLES ± 0 PLACE DECIMALS ± 1 PLACE DECIMALS ±	
THIRD ANGLE PROJECTION	
MAIL ENGR	MODELED BY

DRAWN BY	DATE (YEAR-MO-DA)
D. PENROSE	2008-09-02
CHECKER	ENGINEER
A. CHAUDHURI	A. CHAUDHURI
ENGINEER	QUALITY ENGINEER
DESIGN APPROVAL	

TVS FAMILY OF MEDIUM TACTICAL VEHICLES		
ELECTRICAL SCHEMATIC, A0 - A1 LSAC		
SIZE	CAGE CODE	DWG NO
E	OFW39	APC30422
SCALE	NONE	SHEET 20

REVISIONS		DATE (YEAR-MO-DA)	APPROVED
ZONE	REV	DESCRIPTION	
		- INITIAL RELEASE - PRODUCT BASELINE ECC010374	A. CHAUDHURI ECP AC



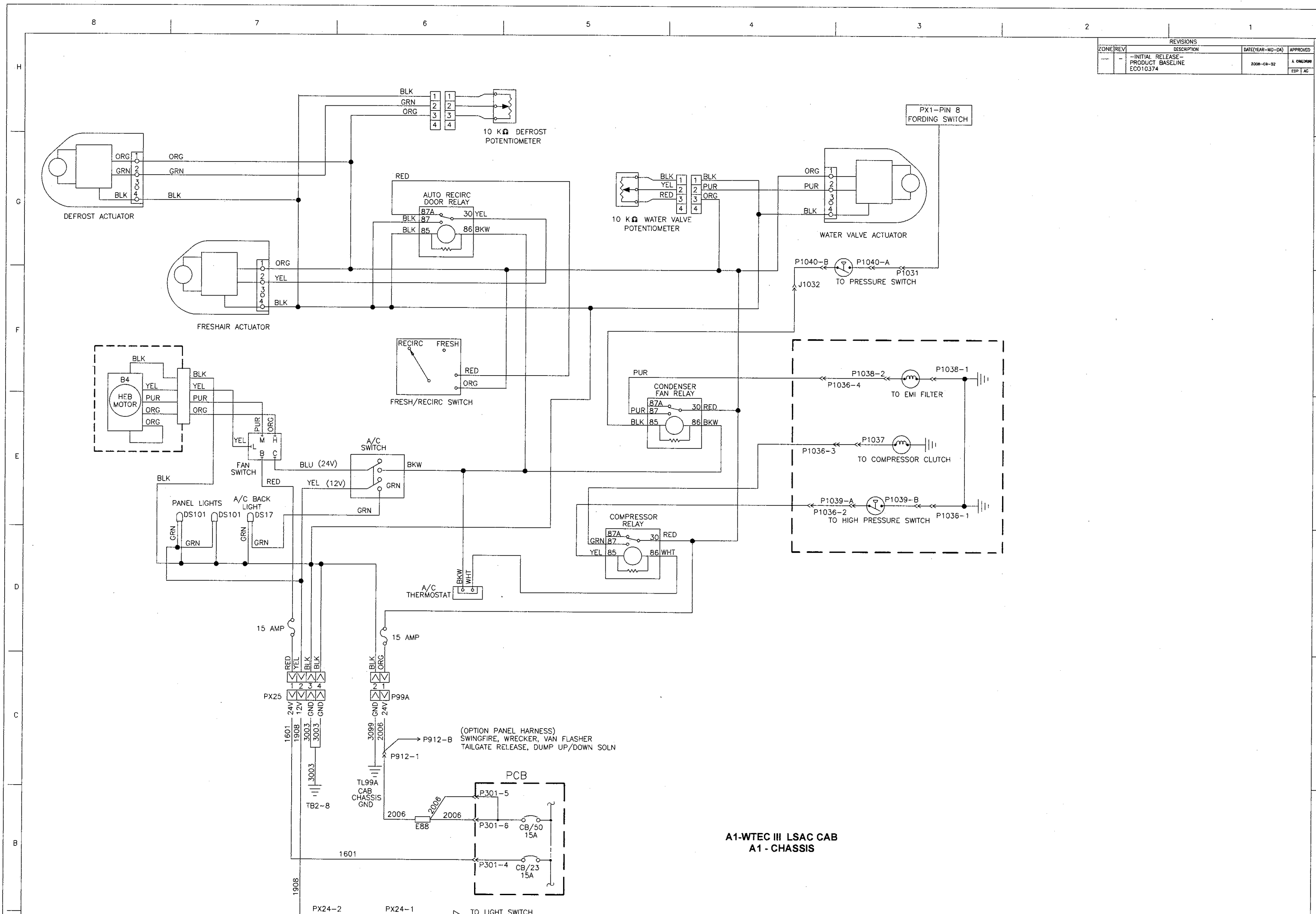
RESUPPLY VEHICLE HIAB CRANE

LIMITED RIGHTS STATEMENT:

A. THIS DRAWING CONTAINS PROPRIETARY AND CONFIDENTIAL INFORMATION OF STEWART & STEVENSON SERVICES, INC. TEXAS AND IS LOANED IN CONFIDENCE WITH THE UNDERSTANDING THAT IT WILL NOT BE REPRODUCED NOR USED FOR ANY PURPOSE EXCEPT THAT FOR WHICH IT IS LOANED AND IT SHALL BE RETURNED ON DEMAND. B. THIS NOTICE SHALL BE MARKED ON ANY REPRODUCTION OF THESE DATA, IN WHOLE OR IN PART.

P/N/C A MECHANICAL PROPERTIES Y/P T/S EL/2 RA BH RH	FMTVA1 USED ON APPLICATION	METRIC DO NOT SCALE DRAWING UNLESS OTHERWISE SPECIFIED DIMENSIONS ARE IN MILLIMETERS TOLERANCES ON ANGLES ± 0 PLACE DECIMALS ± 1 PLACE DECIMALS ± THIRD ANGLE PROJECTION		TVS FAMILY OF MEDIUM TACTICAL VEHICLES ELECTRICAL SCHEMATIC, A0 - A1 LSAC
	DATE (YEAR-MO-DA) 2008-09-02 DRAWN BY J. PENROSE CHECKED A. CHAUDHURI ENGINEER QUALITY ENGINEER	DATE (YEAR-MO-DA) 2008-09-02 DRAWN BY J. PENROSE CHECKED A. CHAUDHURI ENGINEER QUALITY ENGINEER	SITE E CASE CODE OFW39 DWG NO APC30422	SCALE NONE UNIT WT. SHEET 21

REVISIONS			
ZONE/REV	DESCRIPTION	DATE(YEAR-MO-DA)	APPROVED
-	-INITIAL RELEASE- PRODUCT BASELINE ECO10374	2008-09-02	A. CHAUDHURI ESP 1 AC

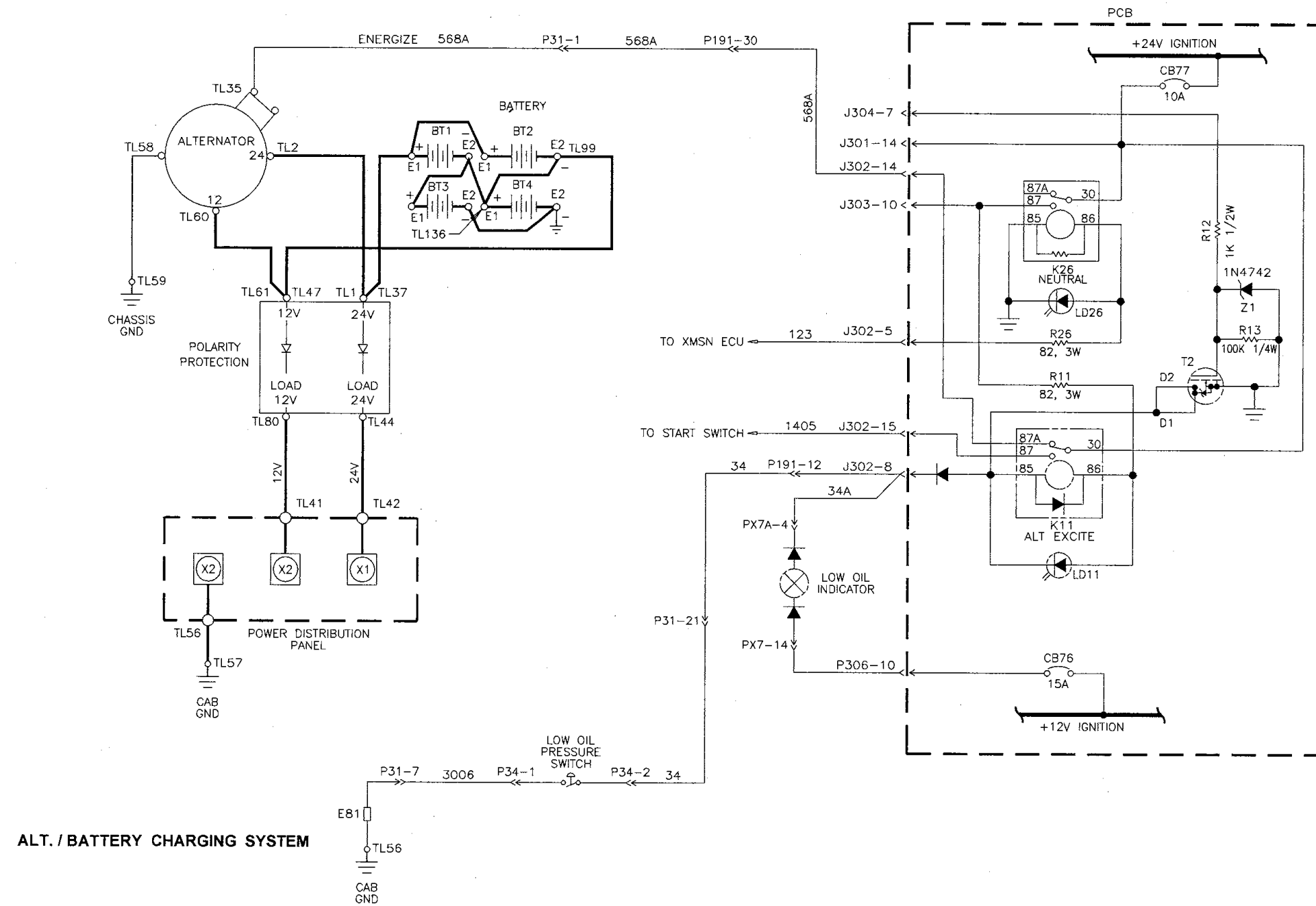


**A1-WTEC III LSAC CAB
A1 - CHASSIS**

LIMITED RIGHTS STATEMENT:
 A. THIS DRAWING CONTAINS PROPRIETARY AND CONFIDENTIAL INFORMATION OF STEVENSON & STEVENSON SERVICES INC. (SSS) AND IS LOANED TO YOU IN CONFIDENCE WITH THE UNDERSTANDING THAT IT WILL NOT BE REPRODUCED NOR USED FOR ANY PURPOSE EXCEPT THAT FOR WHICH IT IS LOANED AND IT SHALL BE RETURNED ON DEMAND.
 B. THIS NOTICE SHALL BE MARKED ON ANY REPRODUCTION OF THESE DATA, IN WHOLE OR IN PART.

PHIC	A	METRIC	DO NOT SCALE DRAWING		TVS FAMILY OF MEDIUM TACTICAL VEHICLES ELECTRICAL SCHEMATIC, AO - A1 LSAC
MECHANICAL PROPERTIES		UNLESS OTHERWISE SPECIFIED DIMENSIONS ARE IN MILLIMETERS			
TYPE	LS	TOLERANCES ON ANGLES ± 0 PLACE DECIMALS ± 1 PLACE DECIMALS ±	THIRD ANGLE PROJECTION	DRAWN BY: D. PENROSE CHECKER: A. CHAUDHURI ENGINEER: A. CHAUDHURI QUALITY ENGINEER:	DATE (YEAR-MO-DA): 2008-09-02 ENGINEER:
RA				DRAWING APPROVAL: -	SIZE: E CASE CODE: OFW39 ENG NO: APC30422
RH				DESIGN APPROVAL: -	SCALE: NONE UNIT WT: - SHEET: 22

ZONE/REV		REVISIONS	DATE (YEAR-MO-DA)	APPROVED
-	-	INITIAL RELEASE - PRODUCT BASELINE E0010374	2008-09-02	ADW/HR
				EDP/AC



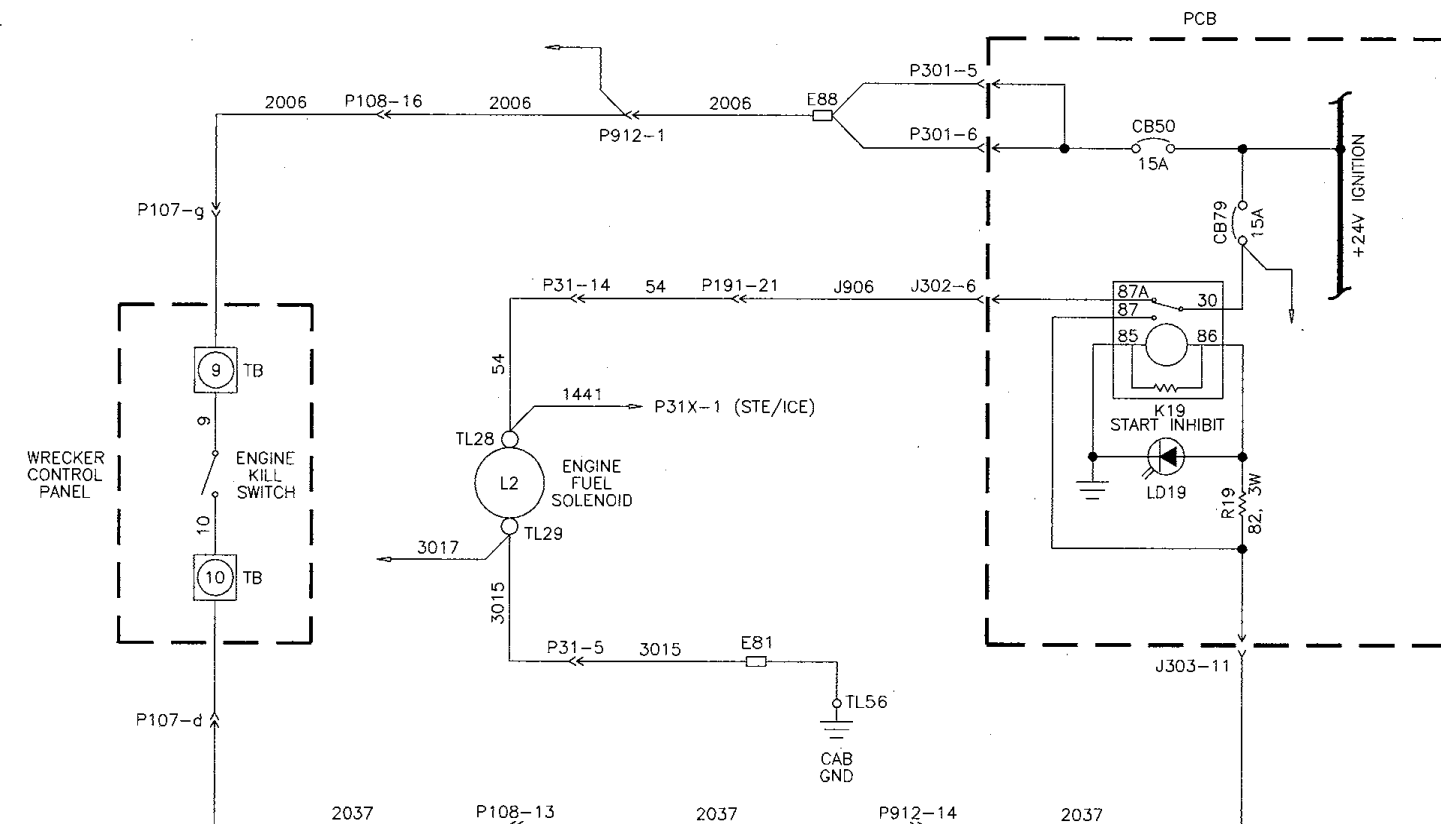
ALT./BATTERY CHARGING SYSTEM

LIMITED RIGHTS STATEMENT:

A. THIS DRAWING CONTAINS PROPRIETARY AND CONFIDENTIAL INFORMATION OF STEWART & STEVENSON SERVICES, INC. SEAL, TEXAS AND IS LOANED TO YOUR ORGANIZATION WITH THE UNDERSTANDING THAT IT WILL NOT BE REPRODUCED NOR USED FOR ANY PURPOSE EXCEPT THAT FOR WHICH IT IS LOANED AND IT SHALL BE RETURNED ON DEMAND.
 B. THIS NOTICE SHALL BE MARKED ON ANY REPRODUCTION OF THESE DATA, IN WHOLE OR IN PART.

PHIC		METRIC		TVS Technical Systems	
A		DO NOT SCALE DRAWING		TVS FAMILY OF MEDIUM TACTICAL VEHICLES	
MECHANICAL PROPERTIES		UNLESS OTHERWISE SPECIFIED DIMENSIONS ARE IN MILLIMETERS		DRAWN BY: D. PENROSE (DATE: 2008-09-02)	
TYP		TOLERANCES ON ANGLES ± 0 PLACE DECIMALS ± 1 PLACE DECIMALS ±		CHECKER: A. CHAUDHURI (DATE: 2008-09-02)	
TIT		THIRD ANGLE PROJECTION		ENGINEER: A. CHAUDHURI	
E1/2				QUALITY ENGINEER: -	
RA		DRAWING APPROVAL: -		DESIGN APPROVAL: -	
BH		NEXT ASSY: -		SCALE: NONE	
RH		USED ON: -		UNIT WT: -	
		APPLICATION: -		SHEET: 23	

REVISIONS				
ZONE	REV	DESCRIPTION	DATE (YEAR-MO-DA)	APPROVED
		INITIAL RELEASE - PRODUCT BASELINE ECO10374	2008-09-02	ADNBAR
				EDP AC



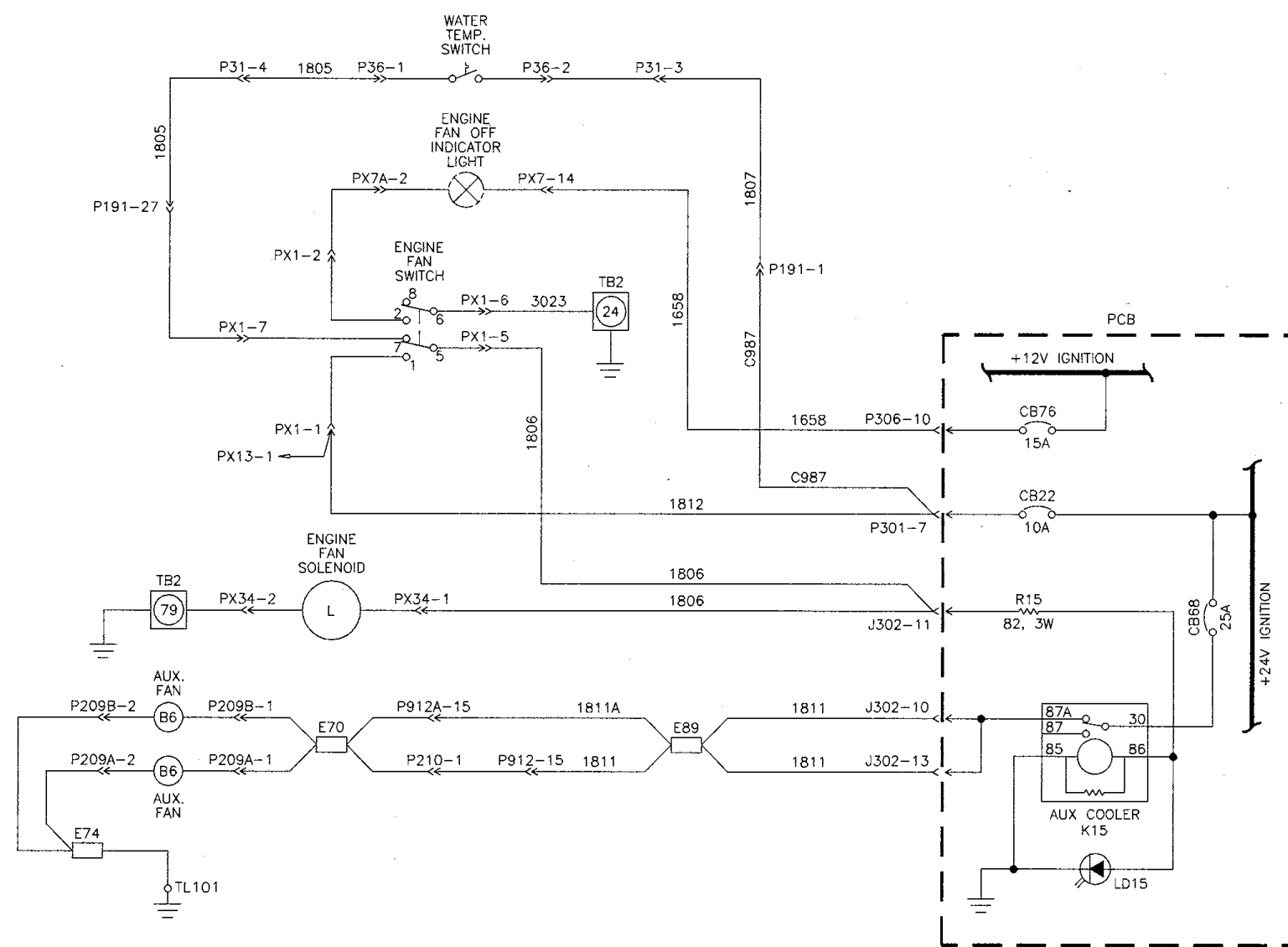
WRECKER REMOTE ENGINE KILL

LIMITED RIGHTS STATEMENT:

A. THIS DRAWING CONTAINS PROPRIETARY AND CONFIDENTIAL INFORMATION OF STEWART & STEVENSON SERVICES, INC. (SSSI). THIS DRAWING IS LOANED IN CONFIDENCE WITH THE UNDERSTANDING THAT IT WILL NOT BE REPRODUCED NOR USED FOR ANY PURPOSES EXCEPT THAT FOR WHICH IT IS LOANED AND IT SHALL BE RETURNED ON DEMAND.
 B. THIS NOTICE SHALL BE MARKED ON ANY REPRODUCTION OF THESE DATA, IN WHOLE OR IN PART.

METRIC DO NOT SCALE DRAWING UNLESS OTHERWISE SPECIFIED DIMENSIONS ARE IN MILLIMETERS TOLERANCES ON ANGLES ± 0 PLACE DECIMALS ± 1 PLACE DECIMALS ± THIRD ANGLE PROJECTION 				TVS FAMILY OF MEDIUM TACTICAL VEHICLES	
DRAWN BY: D. PENROSE CHECKER: A. CHAUDHURI ENGINEER: A. CHAUDHURI QUALITY ENGINEER:		DATE (YEAR-MO-DA): 2008-09-02		ELECTRICAL SCHEMATIC, A0-A1, LSAC	
DRAWING APPROVAL:		DESIGN APPROVAL:		SIZE: E ORG CODE: OFW39 DWG NO: APC30422	
SCALE: NONE		UNIT WT:		SHEET: 24	

REVISIONS				
ZONE	REV	DESCRIPTION	DATE(YEAR-MO-DA)	APPROVED
-	-	- INITIAL RELEASE - PRODUCT BASELINE EC010374	2008-09-02	ADHAR EP



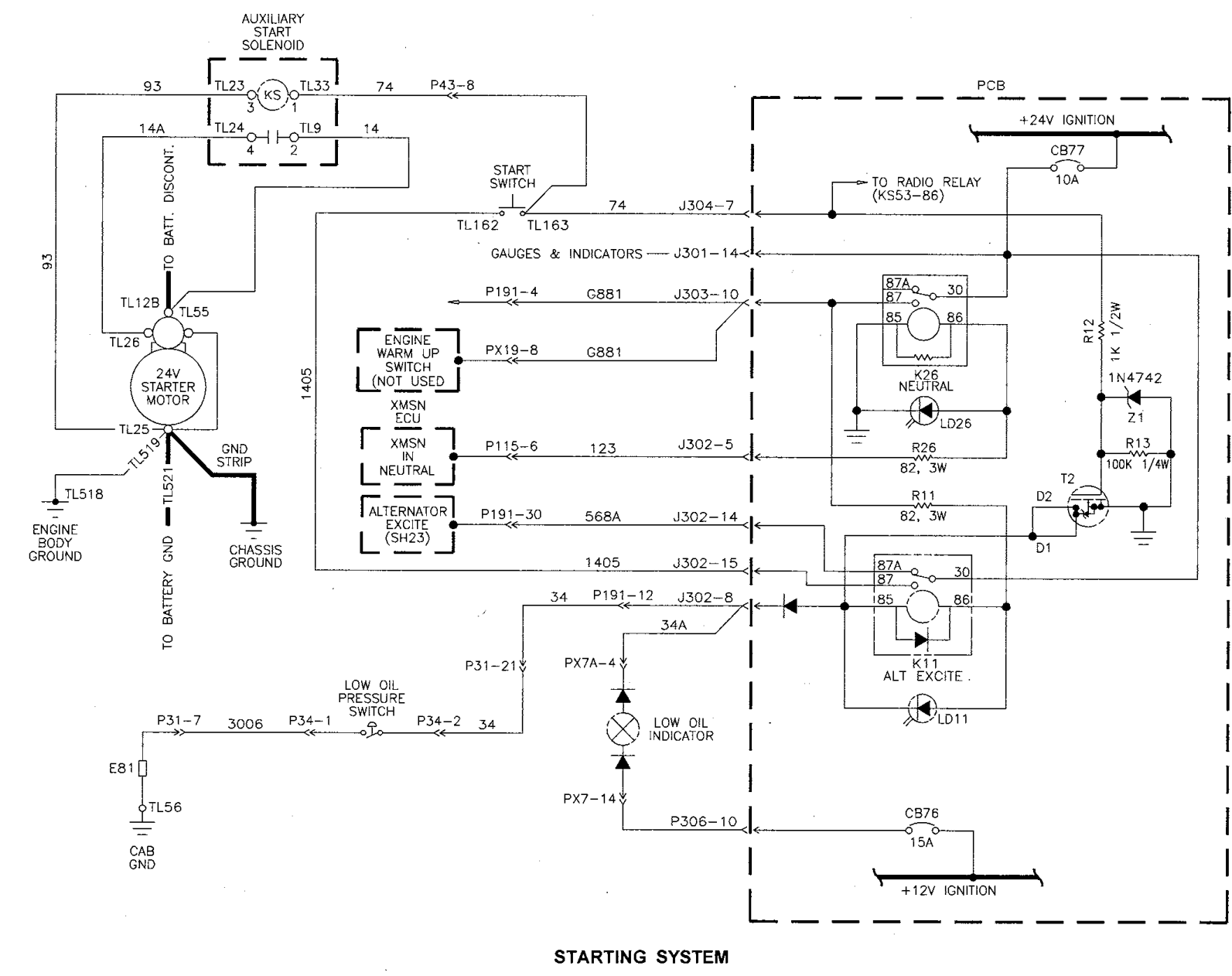
ENGINE COOLING FAN AUX. FANS CONTROL

LIMITED RIGHTS STATEMENT:

A. THIS DRAWING CONTAINS PROPRIETARY AND CONFIDENTIAL INFORMATION OF STEARNS & STEVENSON SERVICES INC. SHALL REMAIN AND IS LOANED IN CONFIDENCE WITH THE UNDERSTANDING THAT IT WILL NOT BE REPRODUCED NOR USED FOR ANY PURPOSES EXCEPT THAT FOR WHICH IT IS LOANED AND IT SHALL BE RETURNED ON DEMAND.
 B. THIS NOTICE SHALL BE MARKED ON ANY REPRODUCTION OF THESE DATA, IN WHOLE OR IN PART.

FRIC	A	METRIC DO NOT SCALE DRAWING		TVS Family of Medium Tactical Vehicles Tactical Vehicle Systems 2002 F.W. Road, Torrance, CA 90503, USA		TVS FAMILY OF MEDIUM TACTICAL VEHICLES	
MECHANICAL PROPERTIES		UNLESS OTHERWISE SPECIFIED DIMENSIONS ARE IN MILLIMETERS		DRAWN BY: D.PENROSE CHECKER: A.CHALDHURI ENGINEER: A.CHALDHURI QUALITY ENGINEER: -		ELECTRICAL SCHEMATIC, A0-A1, LSAC	
YPT		TOLERANCES ON ANGLES ± 0 PLACE SIGNALS ± 1 PLACE DECIMALS ±		DATE (YEAR-MO-DA): 2008-09-02		SIZE: E	
TS		THIRD ANGLE PROJECTION		DESIGN APPROVAL: -		CAGE CODE: OFW39	
ETZ		NEXT ASSY USED ON		SCALE: NONE		DWG NO: APC30422	
RA		APPLICATION		LAYOUT BY: -		SHEET: 25	
BR1				DESIGN APPROVAL: -			
RR1							

ZONE/REV		REVISIONS	DATE (YEAR-MO-DA)	APPROVED
-	-	- INITIAL RELEASE - PRODUCT BASELINE ECO10374	2008-09-02	ADW/AR
-	-			ESP/AC



STARTING SYSTEM

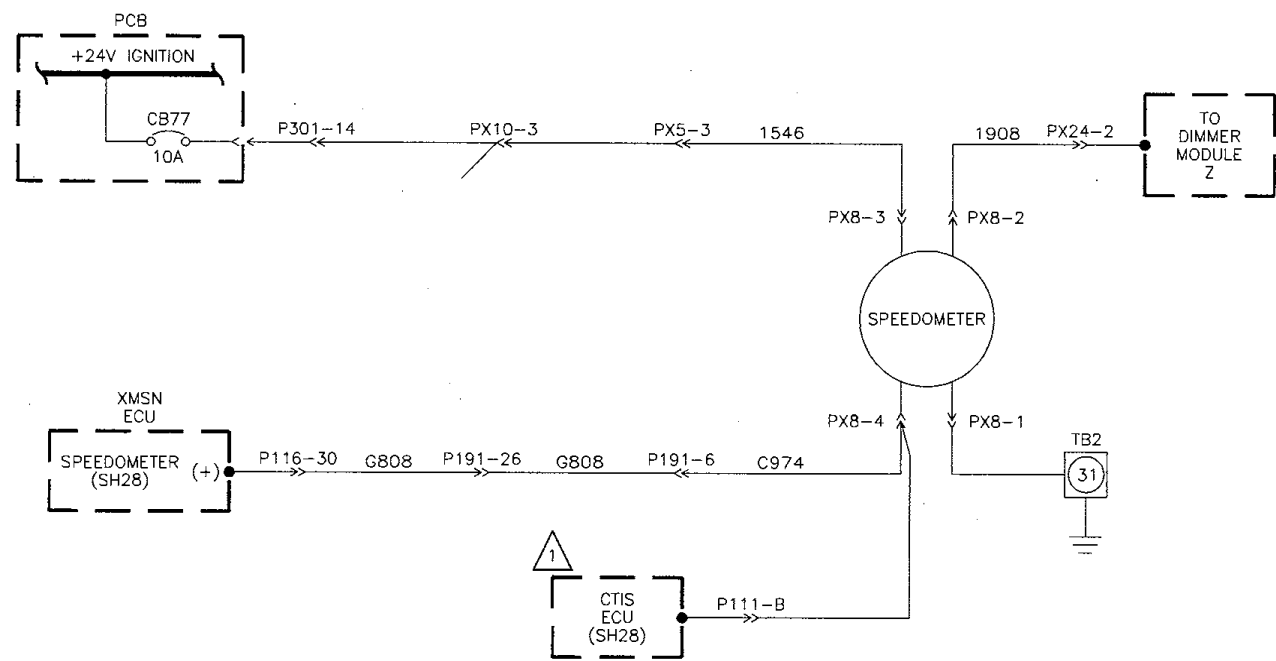
LIMITED RIGHTS STATEMENT:

A. THIS DRAWING CONTAINS PROPRIETARY AND CONFIDENTIAL INFORMATION OF STEWART & STEVENSON SERVICES, INC. (SS&S). THIS DRAWING IS LOANED TO YOU IN CONFIDENCE WITH THE UNDERSTANDING THAT IT WILL NOT BE REPRODUCED NOR USED FOR ANY PURPOSE EXCEPT THAT FOR WHICH IT IS LOANED AND IT SHALL BE RETURNED ON DEMAND.
B. THIS NOTICE SHALL BE MARKED ON ANY REPRODUCTION OF THESE DATA, IN WHOLE OR IN PART.

P/NC A	MECHANICAL PROPERTIES	METRIC DO NOT SCALE DRAWING			TVS FAMILY OF MEDIUM TACTICAL VEHICLES	
		UNLESS OTHERWISE SPECIFIED DIMENSIONS ARE IN MILLIMETERS			ELECTRICAL SCHEMATIC, A0-A1, LSAC	
YF		TOLERANCES ON ANGLES ± 0 PLACE DECIMALS ± 1 PLACE DECIMALS ±		DRAWN BY: D. PENROSE CHECKER: A. CHAUDHURI ENGINEER: A. CHAUDHURI QUALITY ENGINEER:	DATE (YEAR-MO-DA) 2008-09-02	SIZE E
TS		THIRD ANGLE PROJECTION		DRAWING APPROVAL: _____ DESIGN APPROVAL: _____	CAGE CODE OFW39	OWG NO. APC30422
ELZ					SCALE NONE	SHEET 26
RA						
BH		NEXT ASSY	USED ON			
RH		APPLICATION				

8 7 6 5 4 3 2 1

REVISIONS			
ZONE/REV	DESCRIPTION	DATE (YEAR-MO-DA)	APPROVED
- / -	INITIAL RELEASE - PRODUCT BASELINE ECO10374	2008-09-02	AJNDKMR ESP/AC



SPEEDOMETER

1 (RECALIBRATE CTIS ECU TO 62,618.4 PULSE/MILE)

SPEEDOMETER CALIBRATION: 17.394 Hz@MPH 62,618.4 PULSES/MILE	
CATERPILLAR 3116 SPEEDOMETER DIP SWITCH SETTINGS SHOULD BE CONFIGURED AS FOLLOWS:	
SWITCH NUMBER	1 2 3 4 5 6 7 8 9 10
SETTINGS	1 1 0 1 1 0 0 1 0 1
WHERE: 1 = UP 0 = DOWN	

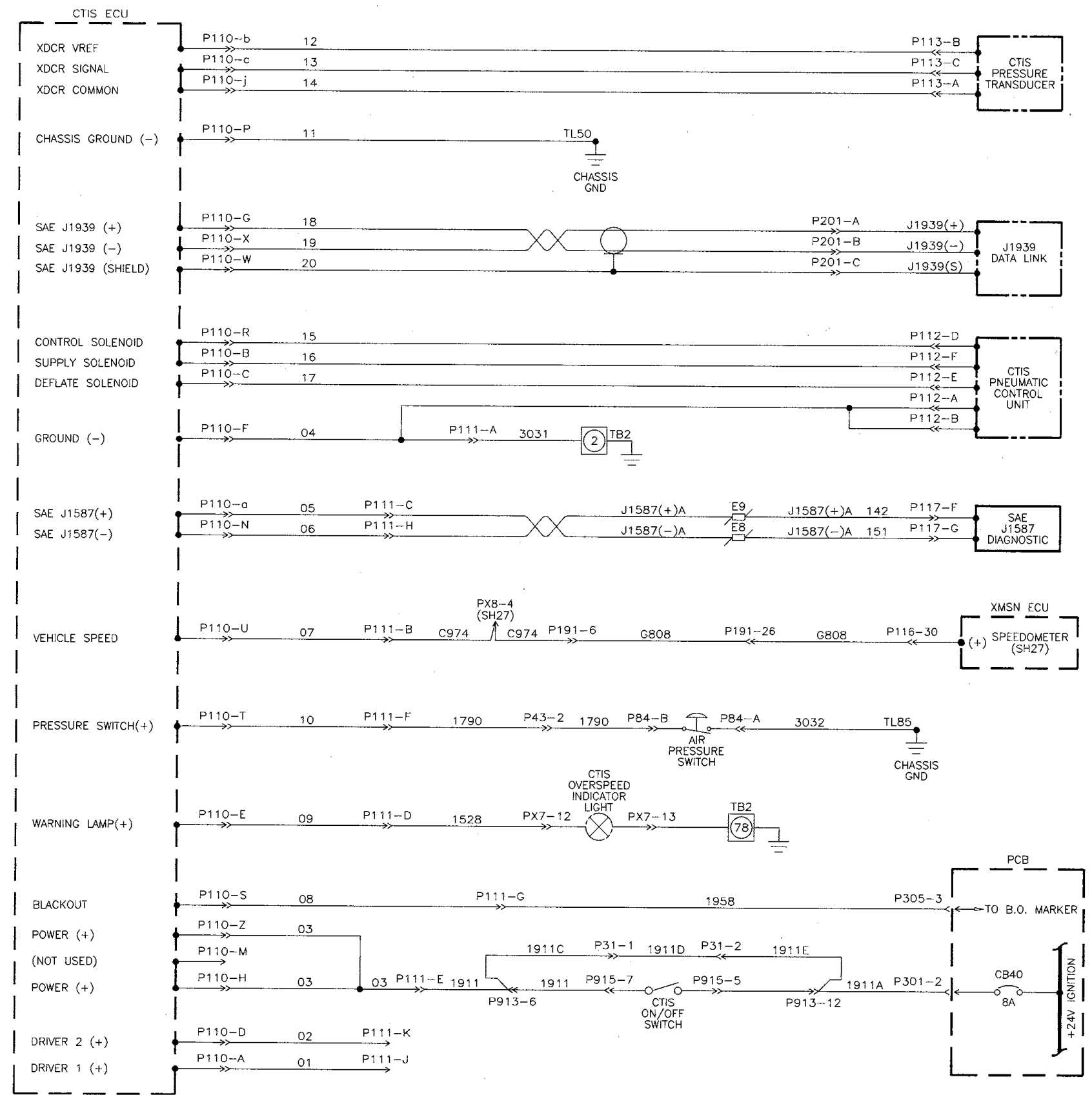
LIMITED RIGHTS STATEMENT:
A. THIS DRAWING CONTAINS PROPRIETARY AND CONFIDENTIAL INFORMATION OF STEWAR & STEVENSON SERVICES, INC. BEHALF OF THE U.S. GOVERNMENT. IT IS LOANED TO YOU BY THE U.S. GOVERNMENT AND IS NOT TO BE REPRODUCED, COPIED, OR USED FOR ANY PURPOSE, EXCEPT THAT FOR WHICH IT IS LOANED AND IT SHALL BE RETURNED ON DEMAND.
B. THIS NOTICE SHALL BE MARKED ON ANY REPRODUCTION OF THESE DATA, IN WHOLE OR IN PART.

PHIC	A		METRIC			
			DO NOT SCALE DRAWING			
			UNLESS OTHERWISE SPECIFIED DIMENSIONS ARE IN MILLIMETERS			
			TOLERANCES ON ANGLES ± 0 PLACE DECIMALS ± 1 PLACE DECIMALS ±			
			THIRD ANGLE PROJECTION			
			MECHANICAL PROPERTIES			
			YP			
			YIS			
			ELZ			
			RA			
			BH			
			RH			
			APPLICATION			

TVS FAMILY OF MEDIUM TACTICAL VEHICLES			
ELECTRICAL SCHEMATIC, A0-A1, LSAC			
SIZE	CAGE CODE	DWG NO	
E	OFW39	APC30422	
SCALE	NONE	UNF. WT.	SHEET 27

8 7 6 5 4 3 2 1

REVISIONS				
ZONE	REV	DESCRIPTION	DATE(YEAR-MO-DA)	APPROVED
-	-	- INITIAL RELEASE - PRODUCT BASELINE ECO10374	2008-09-02	ADAR/DR EP/AC



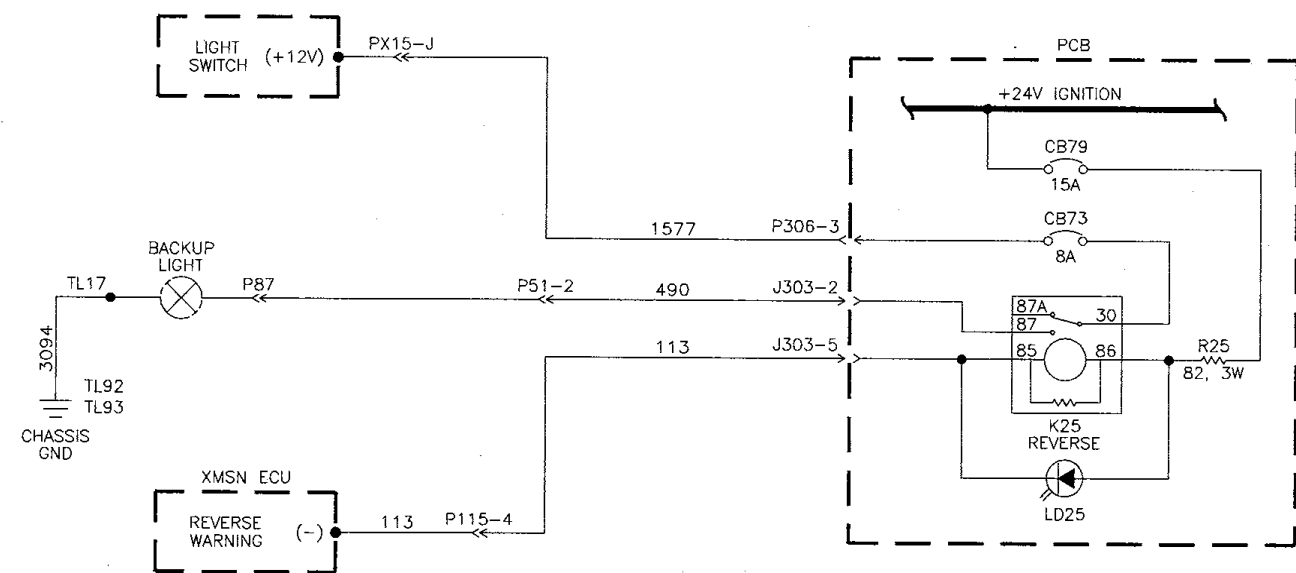
CTIS ECU INTERFACE SYSTEM

LIMITED RIGHTS STATEMENT:

A. THIS DRAWING CONTAINS PROPRIETARY AND CONFIDENTIAL INFORMATION OF STEVENSON & STEVENSON SERVICES INC. SEALY, TEXAS AND IS LOANED IN CONFIDENCE WITH THE UNDERSTANDING THAT IT WILL NOT BE REPRODUCED NOR USED FOR ANY PURPOSE EXCEPT THAT FOR WHICH IT IS LOANED AND IT SHALL BE RETURNED ON DEMAND.
B. THIS NOTICE SHALL BE MARKED ON ANY REPRODUCTION OF THESE DATA, IN WHOLE OR IN PART.

PKIC A	MECHANICAL PROPERTIES	METRIC DO NOT SCALE DRAWING		 <small>TVS Tactical Vehicle Systems</small> <small>10000th Street, Dallas, TX 75243 USA</small>	TVS FAMILY OF MEDIUM TACTICAL VEHICLES
		UNLESS OTHERWISE SPECIFIED DIMENSIONS ARE IN MILLIMETERS			
YIP		TOLERANCES ON ANGLES ± 0 PLACE DECIMALS ± 1 PLACE DECIMALS ±		DRAWN BY: D. PENROSE CHECKED: A. CHAUDHURI ENGINEER: A. CHAUDHURI QUALITY ENGINEER:	ELECTRICAL SCHEMATIC, A0-A1, LSAC
TS		THIRD ANGLE PROJECTION		DATE (YEAR-MO-DA): 2008-09-02 SCALE: NONE	
ELI		NEXT ASSY: _____ USED ON: _____ APPLICATION: _____	DATE: _____ MODEL: _____ DRAWING APPROVAL: _____ DESIGN APPROVAL: _____	SIZE: E CASE CODE: OFW39 UNIT WT.: _____ SHEET: 28	DWG NO: APC30422

ZONE/REV		DESCRIPTION	DATE(YEAR-MO-DA)	APPROVED
-	-	INITIAL RELEASE PRODUCT BASELINE ECO10374	2008-09-02	ADW:JH EDP:AC



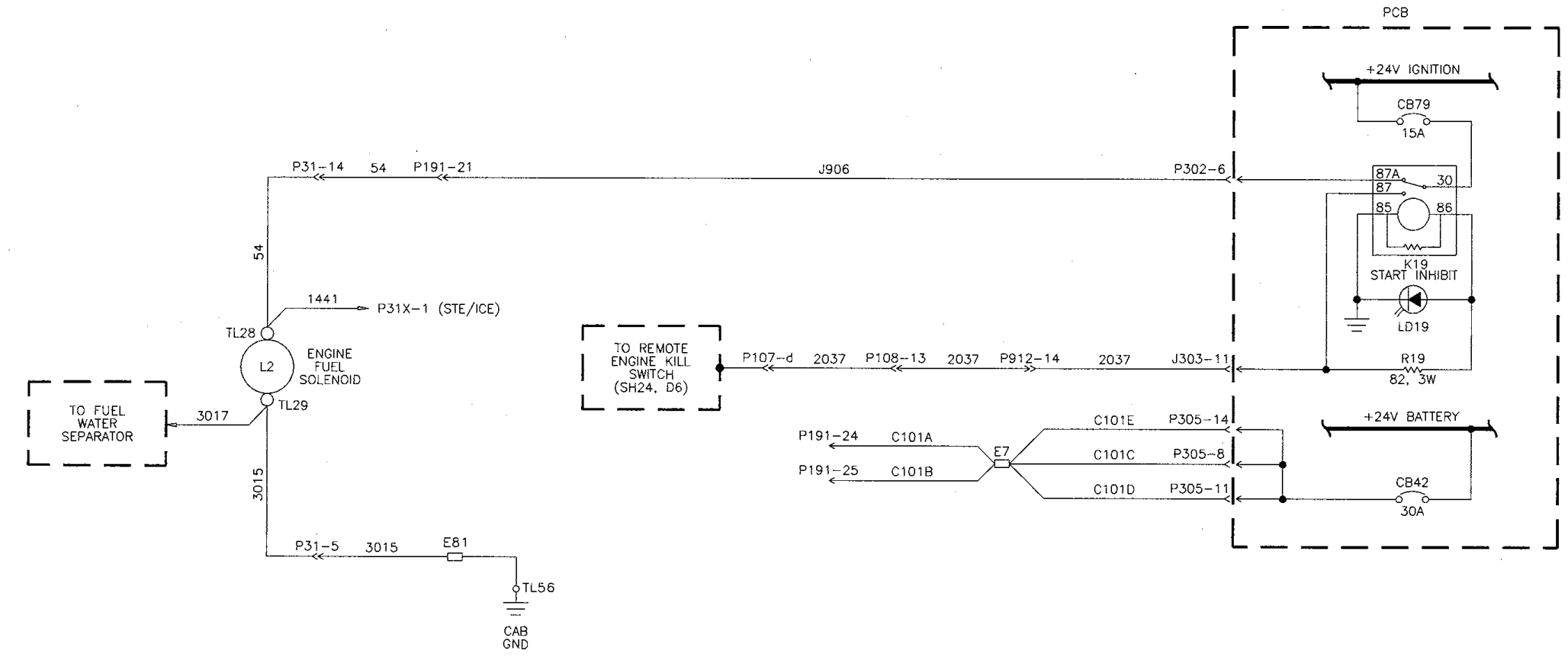
REVERSE WARNING

LIMITED RIGHTS STATEMENT:

A. THIS DRAWING CONTAINS PROPRIETARY AND CONFIDENTIAL INFORMATION OF STEWART & STEVENSON SERVICES, INC. (SSSI). THIS DRAWING IS LOANED IN CONFIDENCE WITH THE UNDERSTANDING THAT IT WILL NOT BE REPRODUCED NOR USED FOR ANY PURPOSE EXCEPT THAT FOR WHICH IT IS LOANED AND IT SHALL BE RETURNED ON DEMAND.
 B. THIS NOTICE SHALL BE MARKED ON ANY REPRODUCTION OF THESE DATA, IN WHOLE OR IN PART.

PKIC	A	METRIC DO NOT SCALE DRAWING		TVS Family of Medium Tactical Vehicles A Division of STEWART & STEVENSON SERVICES, INC. 300 S. VICKI BEAL, TEXAS 77824, USA		TVS FAMILY OF MEDIUM TACTICAL VEHICLES	
MECHANICAL PROPERTIES		UNLESS OTHERWISE SPECIFIED DIMENSIONS ARE IN MILLIMETERS		DRAWN BY D. PENROSE	DATE (YEAR-MO-DA) 2008-09-02	ELECTRICAL SCHEMATIC, A0-A1, LSAC	
YP		TOLERANCES ON ANGLES ± 0 PLACE DECIMALS = 1 PLACE DECIMALS =		CHECKER A. CHAUDHURI	ENGINEER A. CHAUDHURI	SCALE E	CAGE CODE OFW39
TS		THIRD ANGLE PROJECTION		DESIGN APPROVAL		DWG NO. APC30422	SHEET 29
EL2							
RA							
BH		NEXT ASSY	USED ON				
RH		APPLICATION					

REVISIONS		DATE(YEAR-MO-DA)	APPROVED
ZONE	REV	DESCRIPTION	
-	-	-INITIAL RELEASE- PRODUCT BASELINE ECO10374	2008-09-02 ADW:RJR ESP JAC



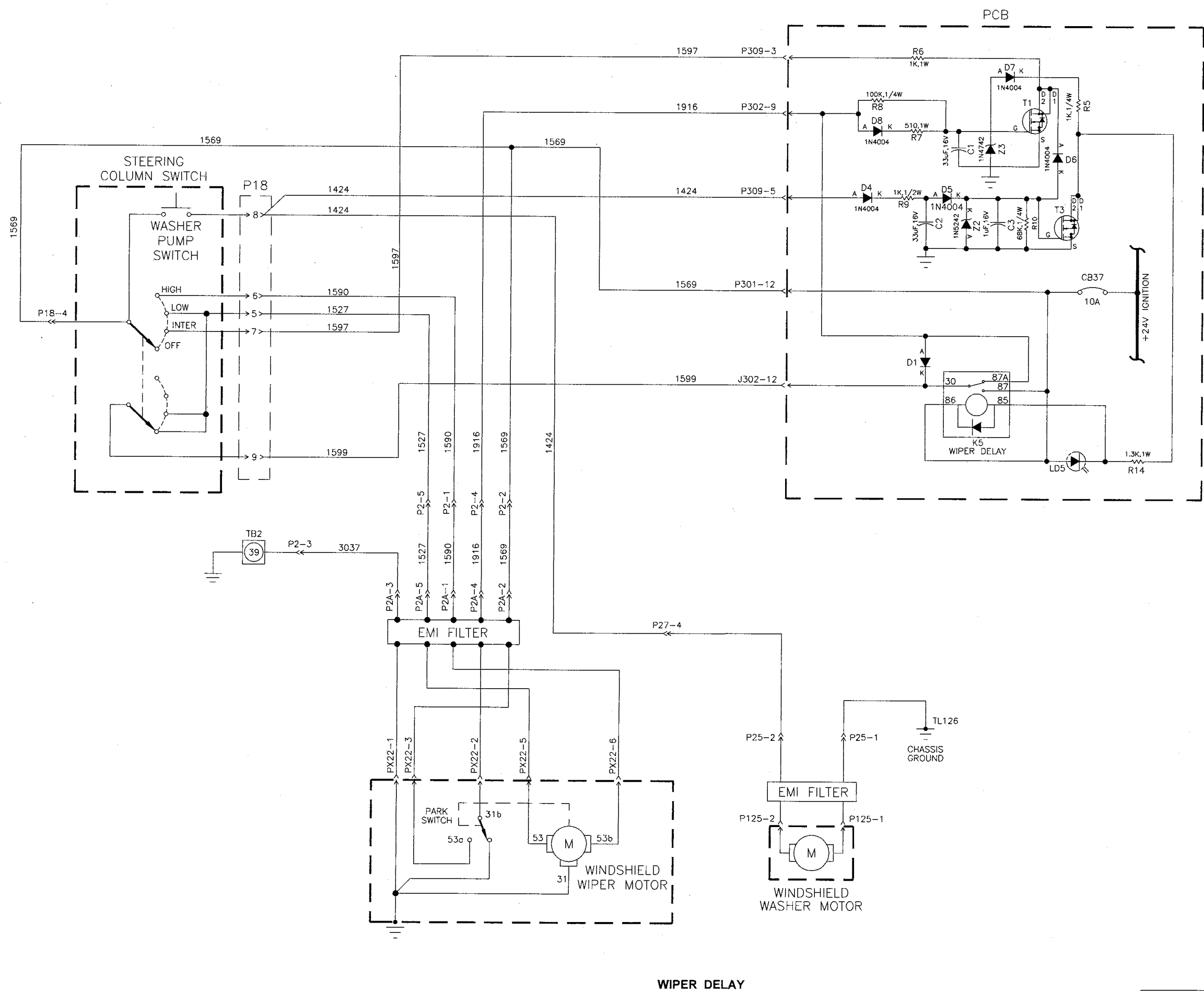
ENGINE (CAT 3116) POWER AND GROUND

LIMITED RIGHTS STATEMENT:

A. THIS DRAWING CONTAINS PROPRIETARY AND CONFIDENTIAL INFORMATION OF STEWART & STEVENSON SERVICES INC. SEALING AND IS LOANED IN CONFIDENCE WITH THE UNDERSTANDING THAT IT WILL NOT BE REPRODUCED NOR USED FOR ANY PURPOSE EXCEPT THAT FOR WHICH IT IS LOANED AND IT SHALL BE RETURNED ON DEMAND.
 B. THIS NOTICE SHALL BE MARKED ON ANY REPRODUCTION OF THESE DATA IN WHOLE OR IN PART.

P/NIC		METRIC		TVS FAMILY OF MEDIUM TACTICAL VEHICLES	
A		DO NOT SCALE DRAWING		ELECTRICAL SCHEMATIC, AO-A1, LSAC	
MECHANICAL PROPERTIES		UNLESS OTHERWISE SPECIFIED DIMENSIONS ARE IN MILLIMETERS		DRAWN BY: D.PENROSE (DATE: 2008-09-02)	
YPS		TOLERANCES ON ANGLES ± 0 PLACE DECIMALS ± 1 PLACE DECIMALS ±		CHECKER: A.CHAUDHURI (ENGINEER)	
TIS		THIRD ANGLE PROJECTION		ENGINEER: A.CHAUDHURI (QUALITY ENGINEER)	
FLD		[Third Angle Projection Symbol]		DRAWING APPROVAL:	
RA		NEXT ASSY		DESIGN APPROVAL:	
BH		USED ON		SCALE: NONE UNIT WT. SHEET 30	
RH		APPLICATION			

ZONE/REV		DESCRIPTION	DATE (YEAR-MO-DA)	APPROVED
-	-	- INITIAL RELEASE - PRODUCT BASELINE ECO10374	2008-09-02	ADW/SP EDP/AC



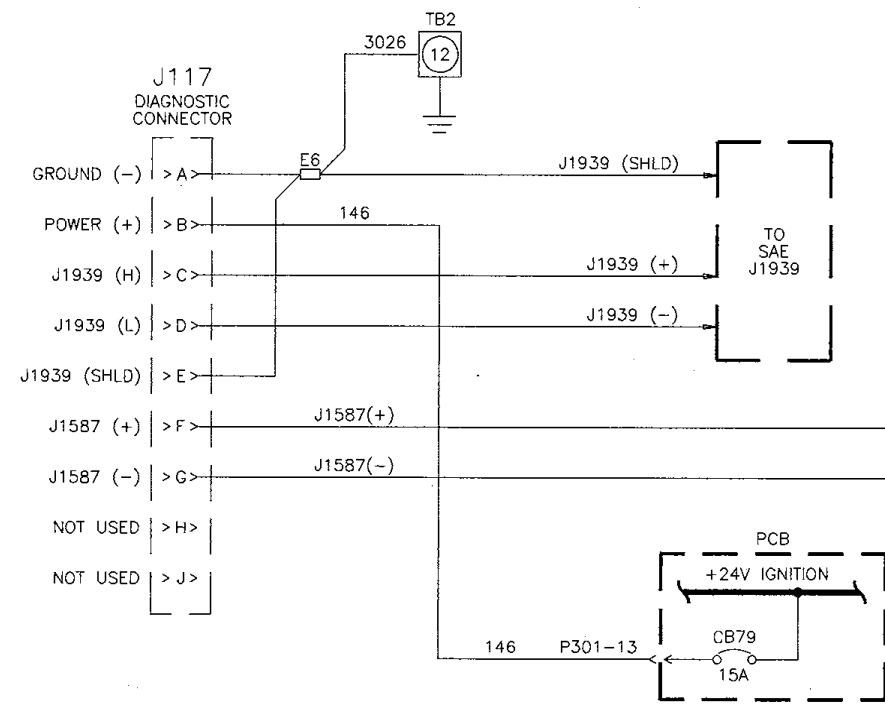
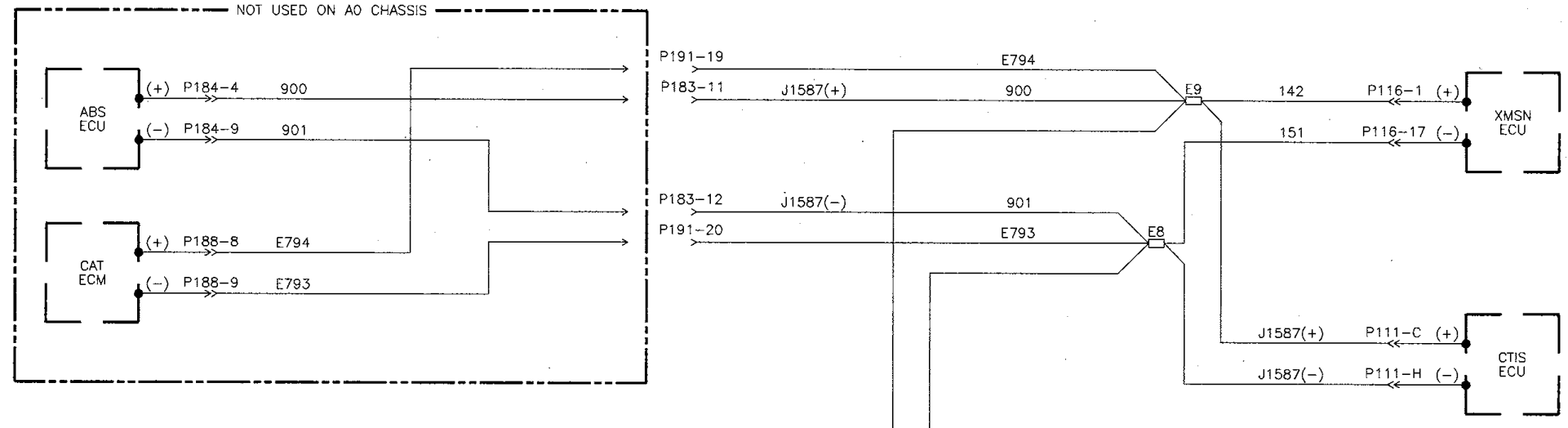
WIPER DELAY

LIMITED RIGHTS STATEMENT:

A. THIS DRAWING CONTAINS PROPRIETARY AND CONFIDENTIAL INFORMATION OF STEWART & STEVENSON SERVICES INC. SEALS, TEARS AND IS LOANED BY CONFIDENCE WITH THE UNDERSTANDING THAT IT WILL NOT BE REPRODUCED NOR USED FOR ANY PURPOSE EXCEPT THAT FOR WHICH IT IS LOANED AND IT SHALL BE RETURNED ON DEMAND.
B. THIS NOTICE SHALL BE MARKED ON ANY REPRODUCTION OF THESE DATA, IN WHOLE OR IN PART.

METRIC		TVS		TVS FAMILY OF MEDIUM TACTICAL VEHICLES	
DO NOT SCALE DRAWING		UNLESS OTHERWISE SPECIFIED DIMENSIONS ARE IN MILLIMETERS		ELECTRICAL SCHEMATIC, A0-A1, LSAC	
TOLERANCES ON ANGLES ± 0 PLACE DECIMALS ± 1 PLACE DECIMALS ±		THIRD ANGLE PROJECTION		DRAWING APPROVAL	
DRAWN BY: D. PENROSE		DATE (YEAR-MO-DA): 2008-09-02		SIZE: E	
CHECKED BY: A. CHAUDHURI		ENGINEER		CAGE CODE: OFW39	
ENGINEER		QUALITY ENGINEER		DWG NO: APC30422	
APPLICATION		SCALE: NONE		SHEET: 31	

ZONE REV		REVISIONS	DATE (YEAR-MO-DA)	APPROVED
-	-	- INITIAL RELEASE - PRODUCT BASELINE ECO10374	2008-09-02	ADW/MSR ESP/AC

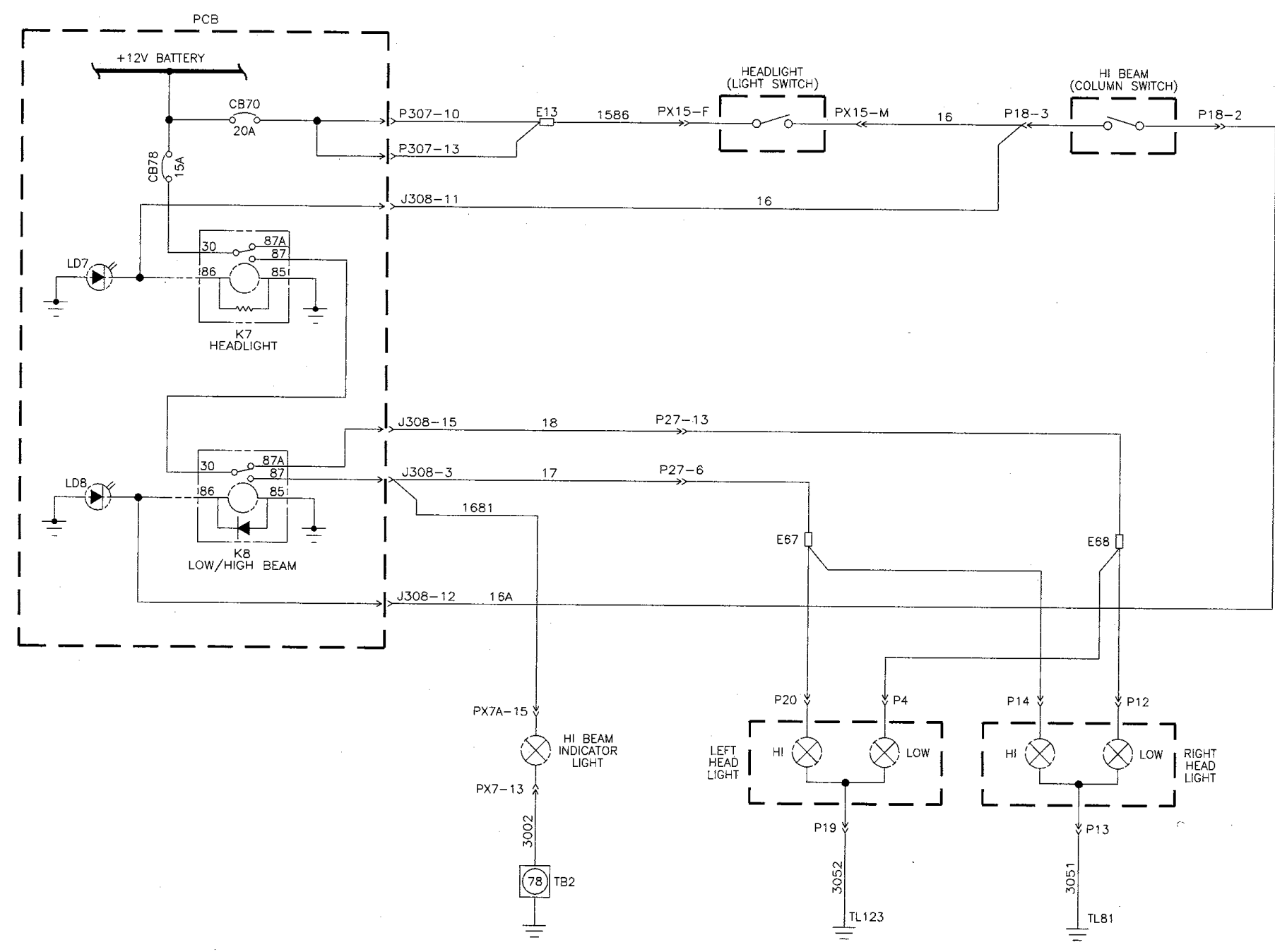


SAE J1587 DATA BUS

LIMITED RIGHTS STATEMENT:
 A. THIS DRAWING CONTAINS PROPRIETARY AND CONFIDENTIAL INFORMATION OF STEWART & STEVENSON SERVICES INC. (SSSI), TEXAS AND IS LOANED IN CONFIDENCE WITH THE UNDERSTANDING THAT IT WILL NOT BE REPRODUCED NOR USED FOR ANY PURPOSE EXCEPT THAT FOR WHICH IT IS LOANED AND IT SHALL BE RETURNED ON DEMAND.
 B. THIS NOTICE SHALL BE MARKED ON ANY REPRODUCTION OF THESE DATA, IN WHOLE OR IN PART.

PHIC A		METRIC DO NOT SCALE DRAWING UNLESS OTHERWISE SPECIFIED DIMENSIONS ARE IN MILLIMETERS		 <small>ADVANCED ENGINEERING & TECHNOLOGICAL SERVICES INC. 3000 W. HICKORY STREET, WAXAHACH, TEXAS 75165 USA</small>		TVS FAMILY OF MEDIUM TACTICAL VEHICLES	
MECHANICAL PROPERTIES		TOLERANCES ON ANGLES ± 0 PLACE DECIMALS ± 1 PLACE DECIMALS ±		<small>DRAWN BY: D. PENROSE</small> <small>CHECKED BY: A. CHAUDHURI</small> <small>ENGINEER: A. CHAUDHURI</small> <small>QUALITY ENGINEER: A. CHAUDHURI</small>		ELECTRICAL SCHEMATIC, A0-A1, LSAC	
THIRD ANGLE PROJECTION				<small>DATE (YEAR-MO-DA): 2008-09-02</small> <small>POWER: ENGINEER</small>		<small>SIZE: E</small> <small>CAGE CODE: OFW39</small> <small>DWG NO: APC30422</small>	
NEXT ASSY USED ON APPLICATION		<small>WATL ENGR: -</small> <small>MODELED BY: -</small> <small>DESIGN APPROVAL: -</small>		<small>SCALE: NONE</small> <small>UNIT WT: -</small> <small>SHEET: 32</small>			

REVISIONS				
ZONE	REV	DESCRIPTION	DATE (YEAR-MO-DA)	APPROVED
-	-	- INITIAL RELEASE - PRODUCT BASELINE ECO10374	2008-09-02	AKM/JP EDP/AE



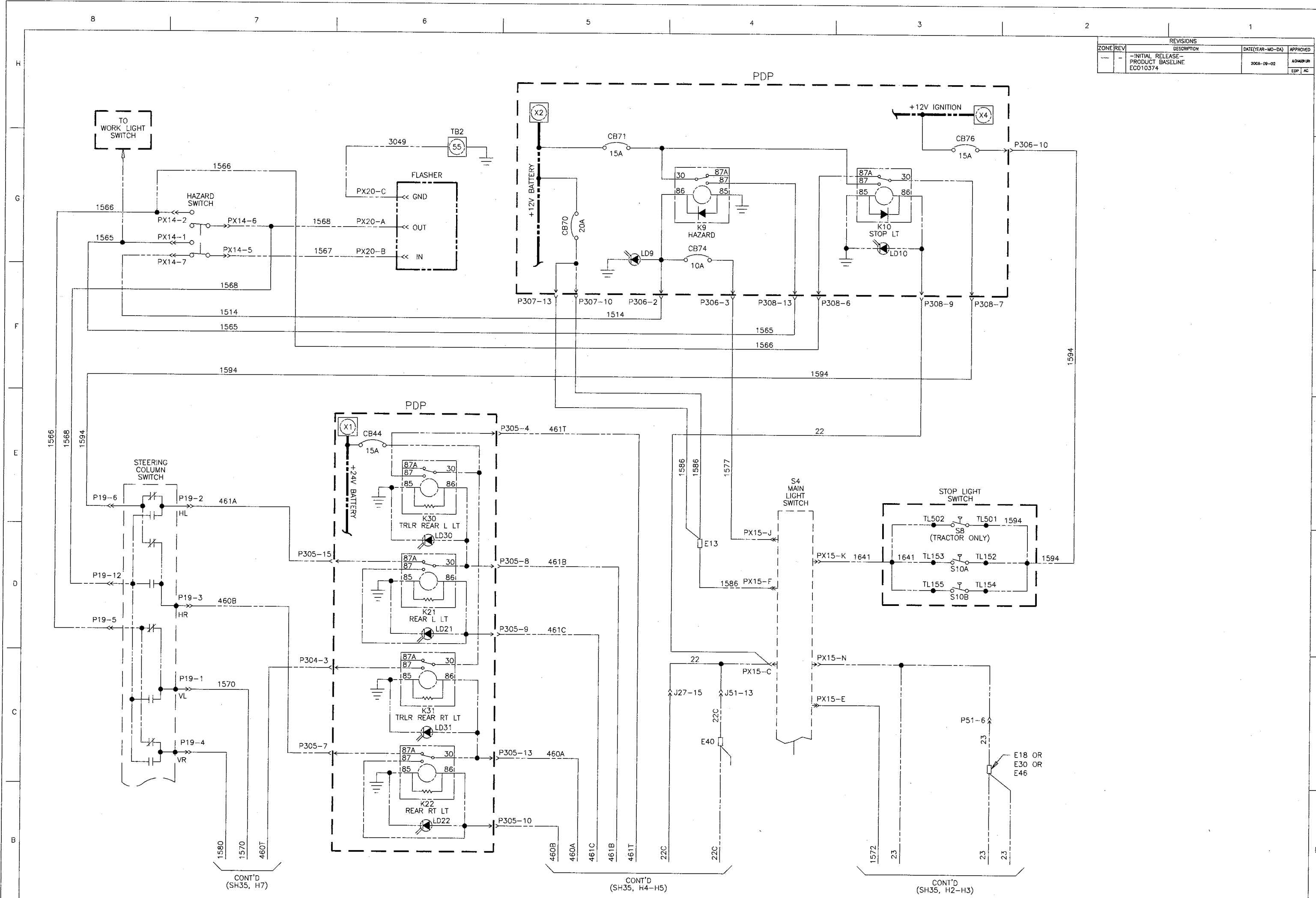
HEAD LIGHTS

LIMITED RIGHTS STATEMENT:

A. THIS DRAWING CONTAINS PROPRIETARY AND CONFIDENTIAL INFORMATION OF STEARNS & STEVENSON SERVICES INC. SEATON, TEXAS AND IS LOANED TO YOU UNDER THE UNDERSTANDING THAT IT WILL NOT BE REPRODUCED NOR USED FOR ANY PURPOSE EXCEPT THAT FOR WHICH IT IS LOANED AND IT SHALL BE RETURNED ON DEMAND.
 B. THIS NOTICE SHALL BE MARKED ON ANY REPRODUCTION OF THESE DATA, IN WHOLE OR IN PART.

PWC A MECHANICAL PROPERTIES YPS TSS SLP RBA BH RH	METRIC DO NOT SCALE DRAWING UNLESS OTHERWISE SPECIFIED DIMENSIONS ARE IN MILLIMETERS TOLERANCES ON ANGLES ± 0 PLACE DECIMALS ± 1 PLACE DECIMALS ±		TVS FAMILY OF MEDIUM TACTICAL VEHICLES DRAWN BY: D. PENROSE CHECKER: A. CHAUDHURI ENGINEER: A. CHAUDHURI QUALITY ENGINEER:	ELECTRICAL SCHEMATIC, A0-A1, LSAC
	THIRD ANGLE PROJECTION 			
NEXT ASSY APPLICATION		WTL ENGR MODELED BY	DRAWING APPROVAL DESIGN APPROVAL	CASE CODE OFW39
				DWG NO APC30422
				SCALE NONE UNIT WT. SHEET 33

REVISIONS		DATE (YEAR-MO-DA)	APPROVED
ZONE REV	DESCRIPTION		
-	- INITIAL RELEASE - PRODUCT BASELINE EC010374	2008-09-02	ADW/JPB
			EDP/AC



HAZARD WARNING & STOP LIGHTS

LIMITED RIGHTS STATEMENT:

A. THIS DRAWING CONTAINS PROPRIETARY AND CONFIDENTIAL INFORMATION OF STEWART & STEVENSON SERVICES INC. ANY REPRODUCTION OR TRANSMISSION OF THIS INFORMATION WITHOUT THE WRITTEN PERMISSION OF STEWART & STEVENSON SERVICES INC. IS STRICTLY PROHIBITED. THIS NOTICE SHALL BE MARKED ON ANY REPRODUCTION OF THESE DATA, IN WHOLE OR IN PART.

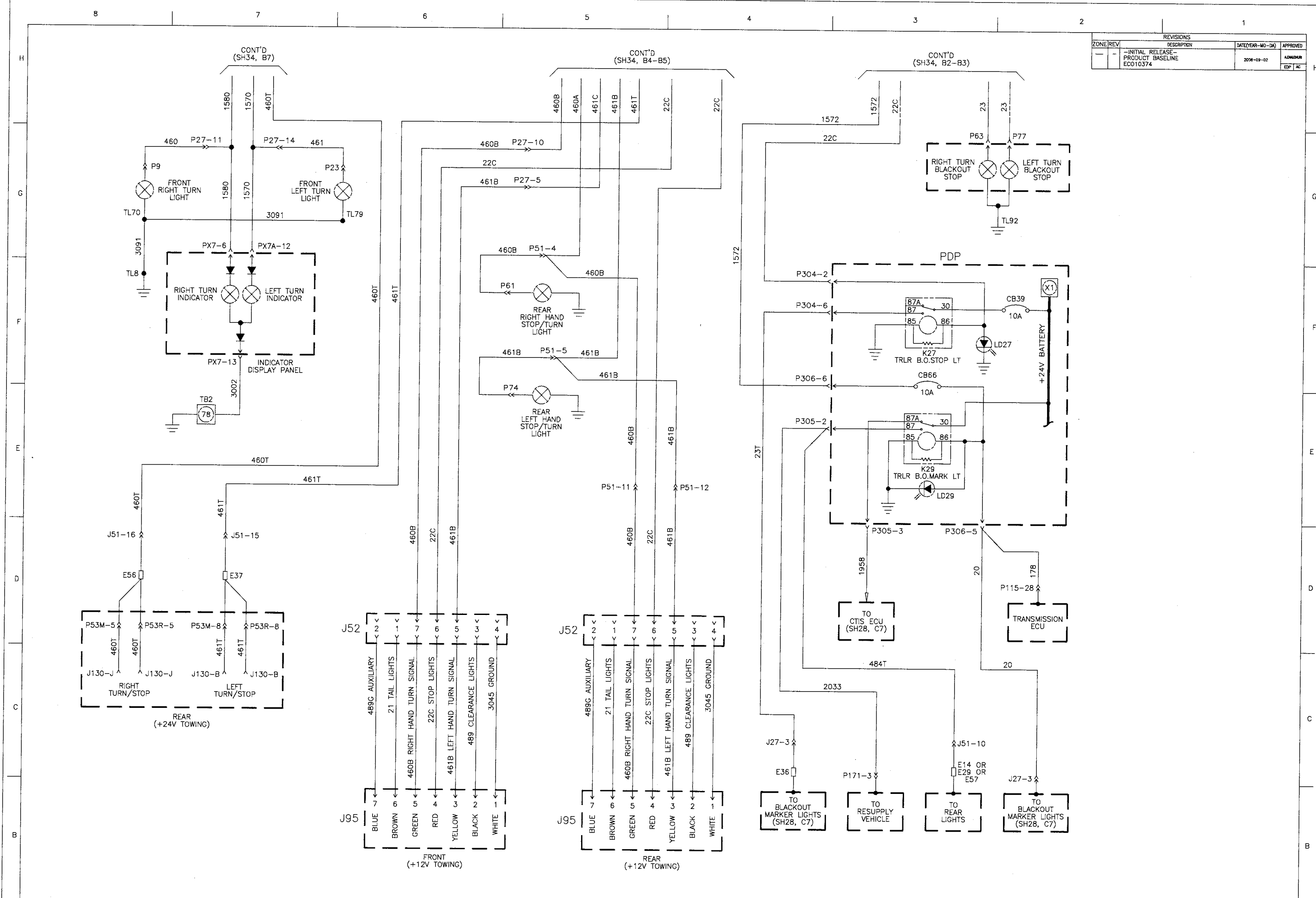
PKIC	DESCRIPTION	DATE (YEAR-MO-DA)	APPROVED
A			

YP1			
YS1			
EL2			
ISA			
ISH			
RH			

DATE (YEAR-MO-DA)	2008-09-02
CHECKER	ALCHALDHURI
ENGINEER	ALCHALDHURI
QUALITY ENGINEER	

TVS FAMILY OF MEDIUM TACTICAL VEHICLES	
ELECTRICAL SCHEMATIC, A0-A1, LSAC	
SIZE	E
CODE	OFW39
DWG NO	APC30422
SCALE	NONE
SHEET	34

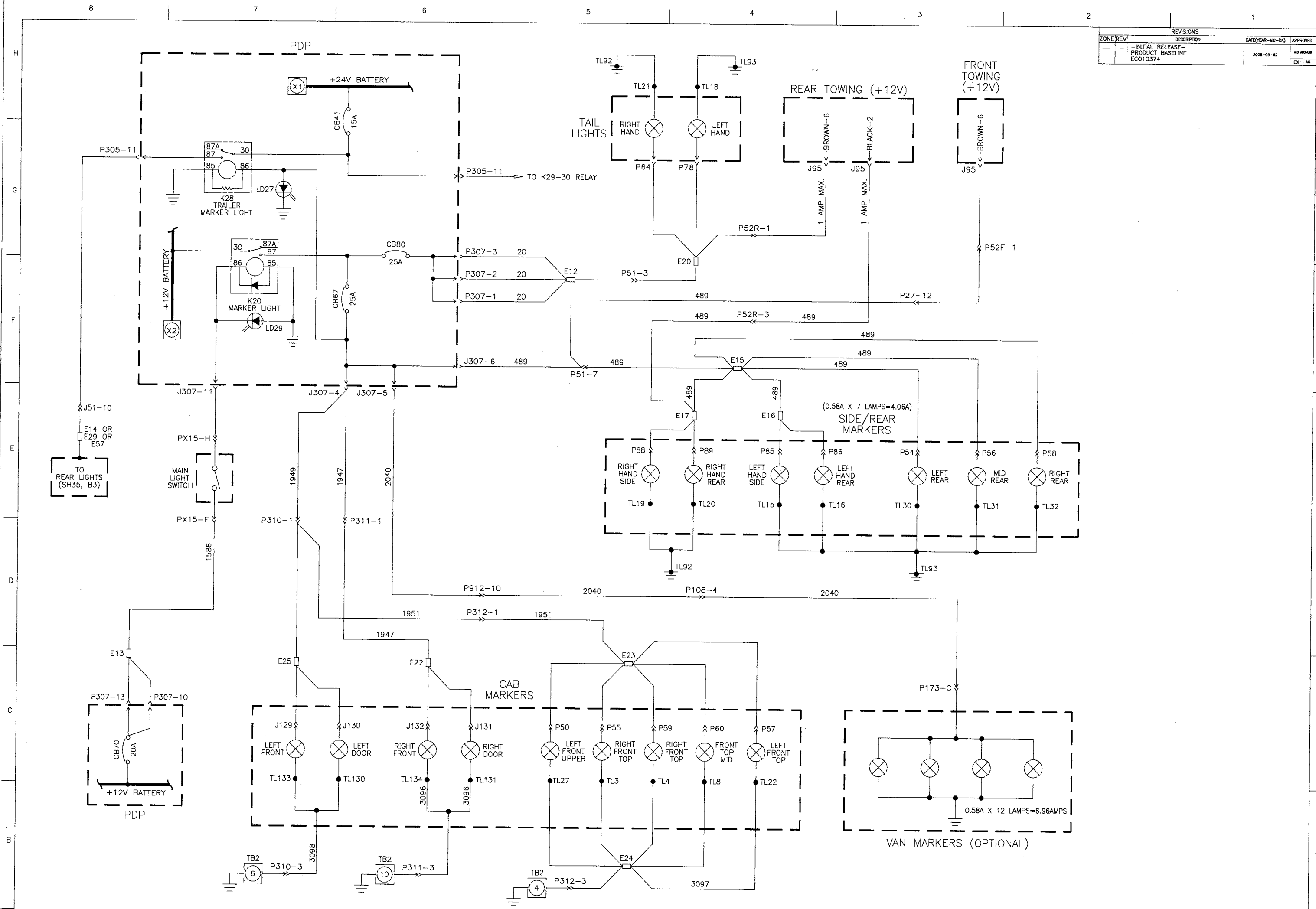
REVISIONS			
ZONE/REV	DESCRIPTION	DATE (YEAR-MO-DA)	APPROVED
-	- INITIAL RELEASE - PRODUCT BASELINE EC010374	2008-09-02	ADK/DAK EDP/AC



HAZARD WARNING & STOP LIGHTS

LIMITED RIGHTS STATEMENT:
A. THIS DOCUMENT CONTAINS INFORMATION THAT IS UNCLASSIFIED AND IS BEING RELEASED TO THE PUBLIC.
B. THIS DOCUMENT IS THE PROPERTY OF THE U.S. GOVERNMENT AND IS LOANED TO YOUR ORGANIZATION; IT AND ITS CONTENTS ARE NOT TO BE REPRODUCED OR TRANSMITTED IN ANY FORM OR BY ANY MEANS, ELECTRONIC OR MECHANICAL, INCLUDING PHOTOCOPYING, RECORDING, OR BY ANY INFORMATION STORAGE AND RETRIEVAL SYSTEM, WITHOUT PERMISSION IN WRITING FROM THE U.S. GOVERNMENT.

P/N/C A MECHANICAL PROPERTIES Y/P T/S E/S R/A B/H R/H	NEXT ASSY USED ON APPLICATION	METRIC DO NOT SCALE DRAWING UNLESS OTHERWISE SPECIFIED DIMENSIONS ARE IN MILLIMETERS TOLERANCES ON ANGLES ± 0 PLACE DECIMALS ± 1 PLACE DECIMALS ± THIRD ANGLE PROJECTION	TVS Technical Vehicle Systems 10000 W. 10th Street, Suite 100, Overland Park, KS 66211, USA	TVS FAMILY OF MEDIUM TACTICAL VEHICLES ELECTRICAL SCHEMATIC, AO-A1, LSAC
	DATE: 2008-09-02 DRAWN BY: D. PENROSE ENGINEER: A. CHAUDHURI QUALITY ENGINEER:	DATE: 2008-09-02 DRAWN BY: D. PENROSE ENGINEER: A. CHAUDHURI QUALITY ENGINEER:	DRAWING APPROVAL: DESIGN APPROVAL:	SIZE: E CASE CODE: OFW39 SCALE: NONE



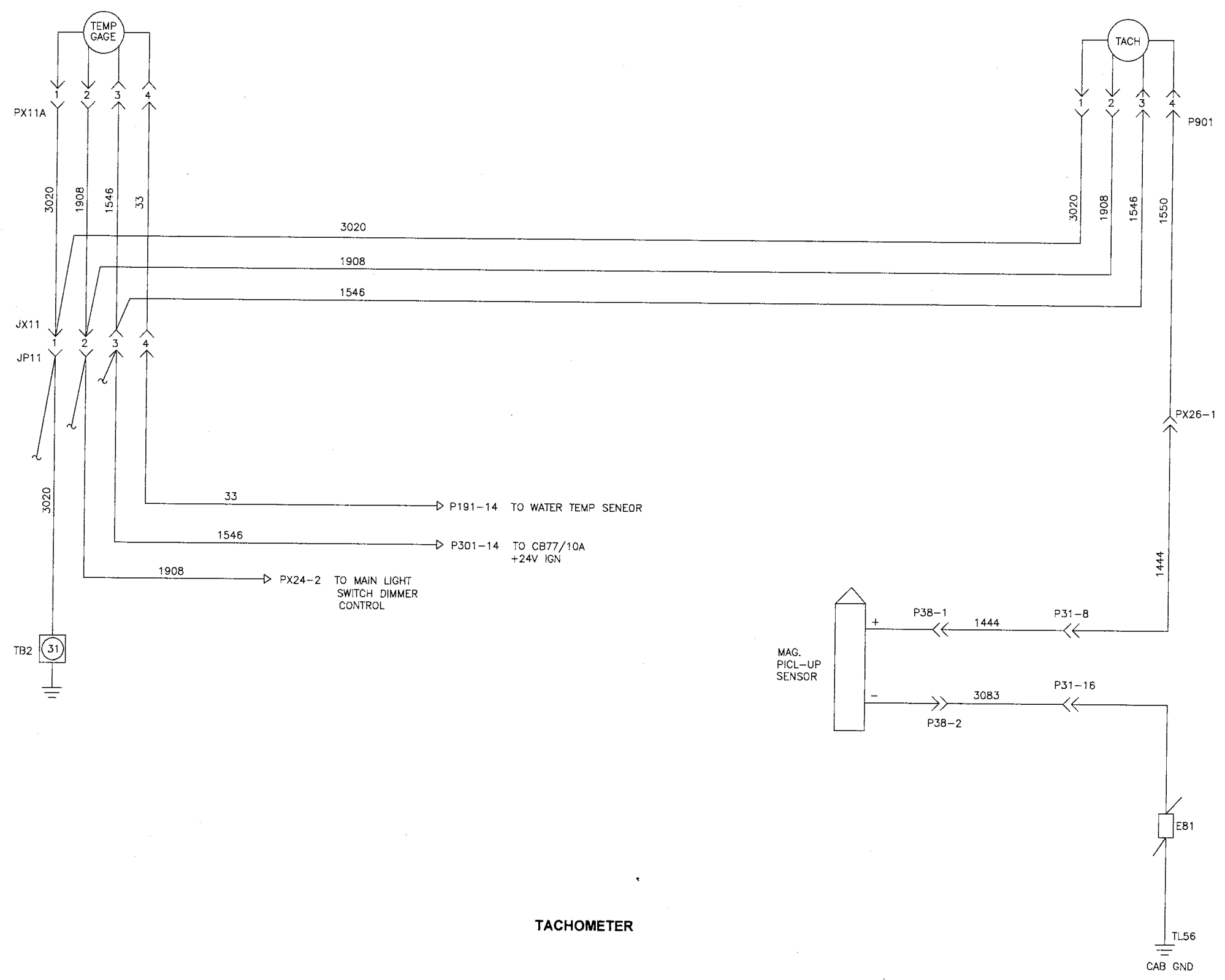
REVISIONS		DATE (YEAR-MO-DA)	APPROVED
ZONE	REV		
-	-	2008-09-02	ADW/AR
DESCRIPTION			
- INITIAL RELEASE -			
- PRODUCT BASELINE			
ECO10374			

MARKER / TAIL LIGHTS

LIMITED RIGHTS STATEMENT:
 A. THIS DRAWING IS THE PROPERTY OF THE U.S. GOVERNMENT AND IS TO BE REPRODUCED AND TRANSMITTED IN ANY FORM AND BY ANY MEANS, ELECTRONIC OR MECHANICAL, INCLUDING PHOTOCOPYING, RECORDING, OR BY ANY INFORMATION STORAGE AND RETRIEVAL SYSTEM, WITHOUT PERMISSION IN WRITING FROM THE U.S. GOVERNMENT.
 B. THE U.S. GOVERNMENT WILL BE RESPONSIBLE FOR PROTECTING ANY PATENT RIGHTS THAT MAY BE CLAIMED BY ANY PERSON OR ENTITY FOR A PROCESS, ARTICLE, OR MATERIAL THAT IS IDENTICAL TO OR SIMILAR TO THAT DESCRIBED IN THIS DRAWING.

PNC A MECHANICAL PROPERTIES YPT TST SLP RFA BHT RHI	METRIC DO NOT SCALE DRAWING UNLESS OTHERWISE SPECIFIED DIMENSIONS ARE IN MILLIMETERS TOLERANCES ON ANGLES ± 0 PLACE DECIMALS & 1 PLACE DECIMALS ±		TVS Technical Vehicle Systems 2008-09-02 DRAWN BY: D.PENROSE CHECKER: A.CHAUDHURI ENGINEER: A.CHAUDHURI QUALITY ENGINEER:	TVS FAMILY OF MEDIUM TACTICAL VEHICLES ELECTRICAL SCHEMATIC, A0-A1, LSAC		
	THIRD ANGLE PROJECTION 			DATE (YEAR-MO-DA) 2008-09-02	SHEET NO. APC30422	
	NEXT ASSY APPLICATION	USED ON 		DRAWING APPROVAL 	SCALE NONE	UNIT WT.
	SHEET 36			DWG NO. OFW39		

REVISIONS				
ZONE	REV	DESCRIPTION	DATE(YEAR-MO-DA)	APPROVED
-	-	-INITIAL RELEASE- PRODUCT BASELINE ECC10374	2008-09-02	ADW/MSR EDP/AC

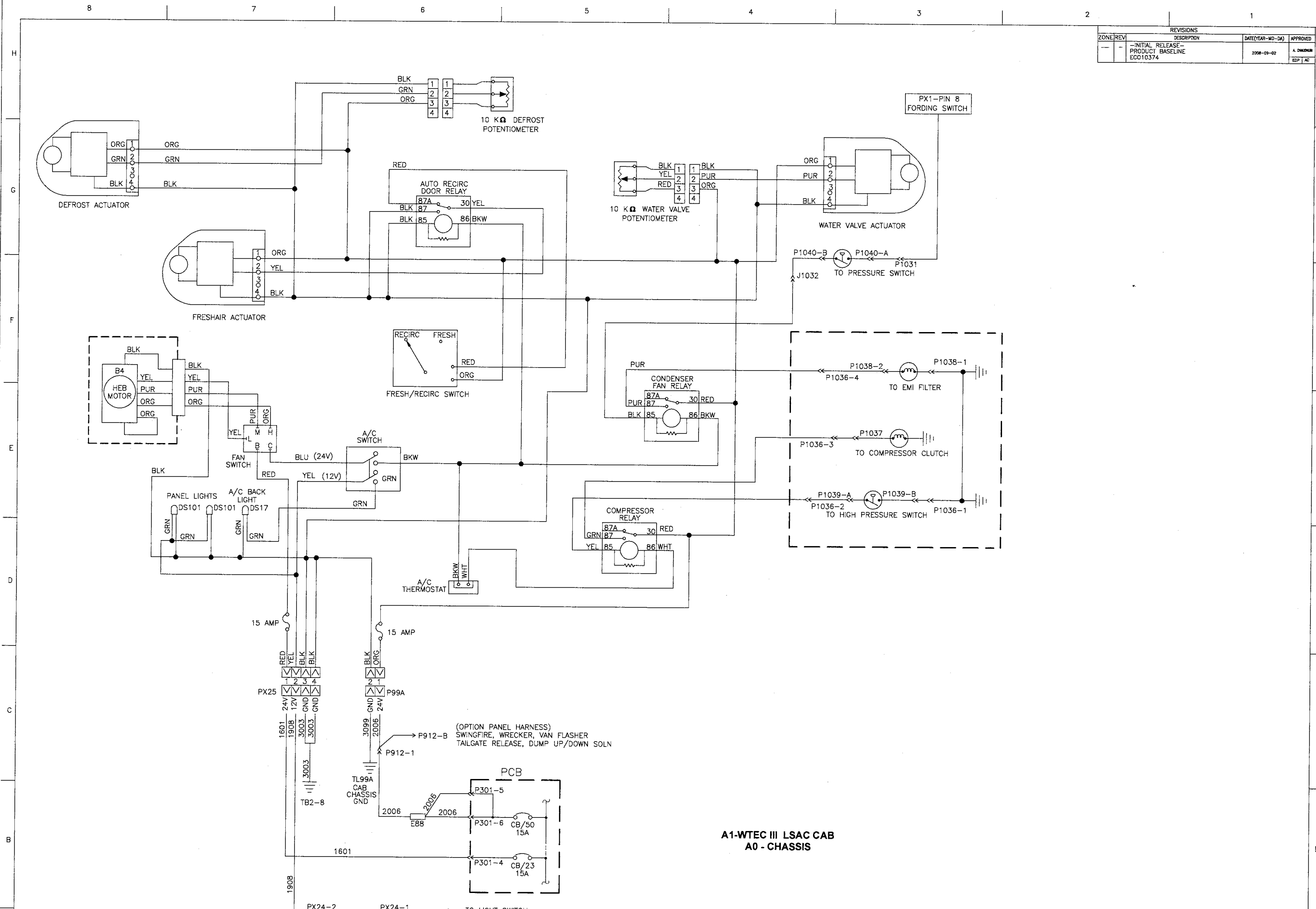


TACHOMETER

LIMITED RIGHTS STATEMENT:
 A. THIS DRAWING IS THE PROPERTY OF THE U.S. GOVERNMENT AND IS TO BE REPRODUCED AND TRANSMITTED IN ANY FORM AND BY ANY MEANS, ELECTRONIC OR MECHANICAL, INCLUDING PHOTOCOPYING, RECORDING, OR BY ANY INFORMATION STORAGE AND RETRIEVAL SYSTEM, WITHOUT PERMISSION IN WRITING FROM THE U.S. GOVERNMENT.
 B. THIS DRAWING IS TO BE REPRODUCED AND TRANSMITTED IN ANY FORM AND BY ANY MEANS, ELECTRONIC OR MECHANICAL, INCLUDING PHOTOCOPYING, RECORDING, OR BY ANY INFORMATION STORAGE AND RETRIEVAL SYSTEM, WITHOUT PERMISSION IN WRITING FROM THE U.S. GOVERNMENT.

PHIC A	MECHANICAL PROPERTIES	METRIC DO NOT SCALE DRAWING UNLESS OTHERWISE SPECIFIED DIMENSIONS ARE IN MILLIMETERS		 TVS Technical Vehicle Systems 10000 W. 10th Street, Suite 100 Overland Park, KS 66214-1000	TVS FAMILY OF MEDIUM TACTICAL VEHICLES	
		TOLERANCES ON ANGLES * 0 PLACE DECIMALS ± 1 PLACE DECIMALS ±			DRAWN BY D.PENROSE ENGINEER	DATE (YEAR-MO-DA) 2008-09-02
YF		THIRD ANGLE PROJECTION				DRAWING APPROVAL _____ ENGINEER
TS		THIRD ANGLE PROJECTION 		DATE (YEAR-MO-DA) 2008-09-02		
SEA		NEXT ASSY _____ APPLICATION		DRAWN BY D.PENROSE ENGINEER		SIZE E
BH		USED ON _____ APPLICATION		CHECKER A.CHALUOHURI ENGINEER		CASE CODE OFW39
RH		_____ APPLICATION		DESIGN APPROVAL _____ ENGINEER		DWG NO APC30422
				DATE (YEAR-MO-DA) 2008-09-02		SCALE NONE
				UNIT WT. _____		SHEET 38

ZONE/REV		REVISIONS	DATE(YEAR-MO-DA)	APPROVED
-	-	-INITIAL RELEASE- PRODUCT BASELINE ECC10374	2008-09-02	A. CHANDLER EDP I AC

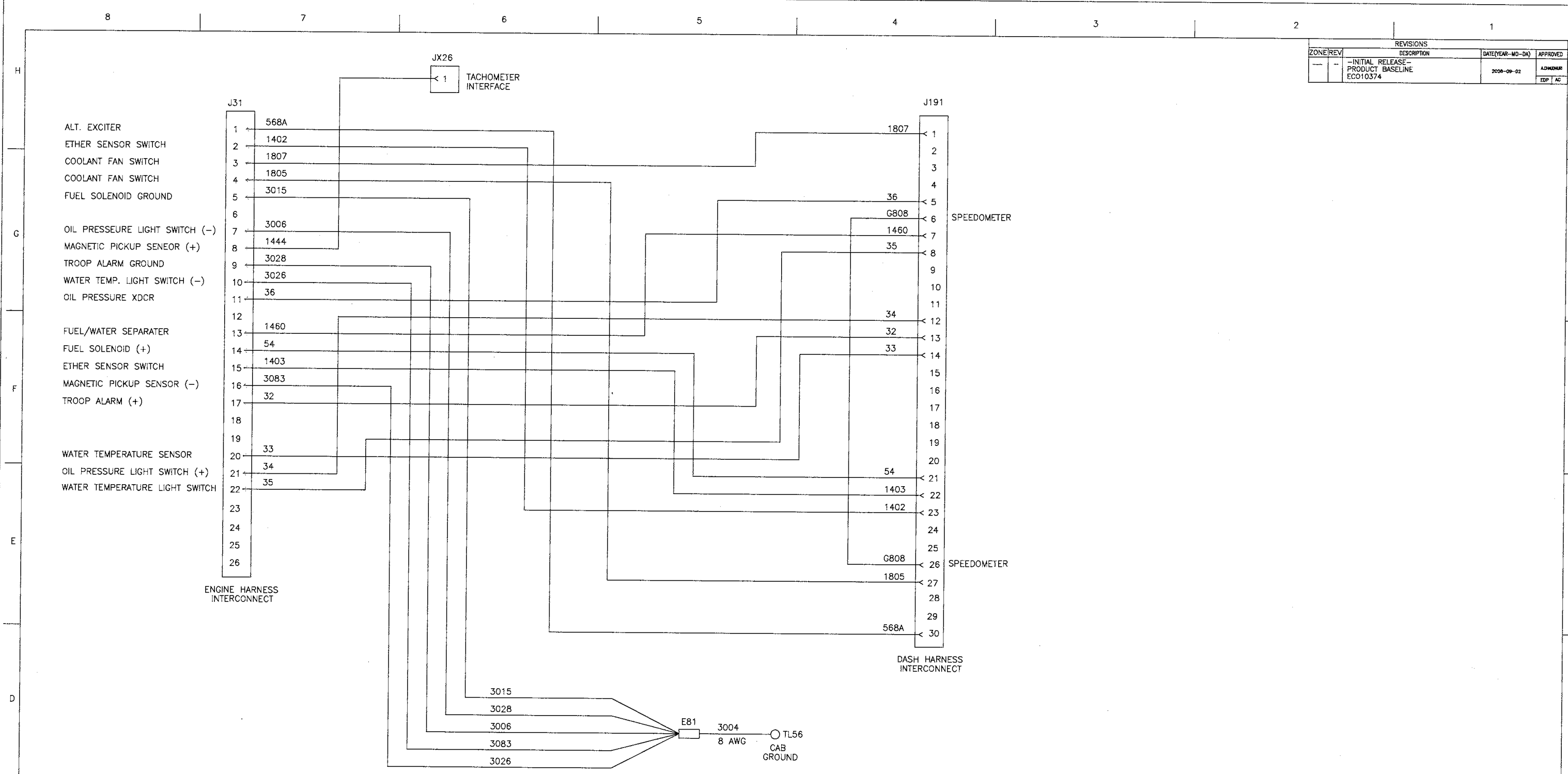


**A1-WTEC III LSAC CAB
A0 - CHASSIS**

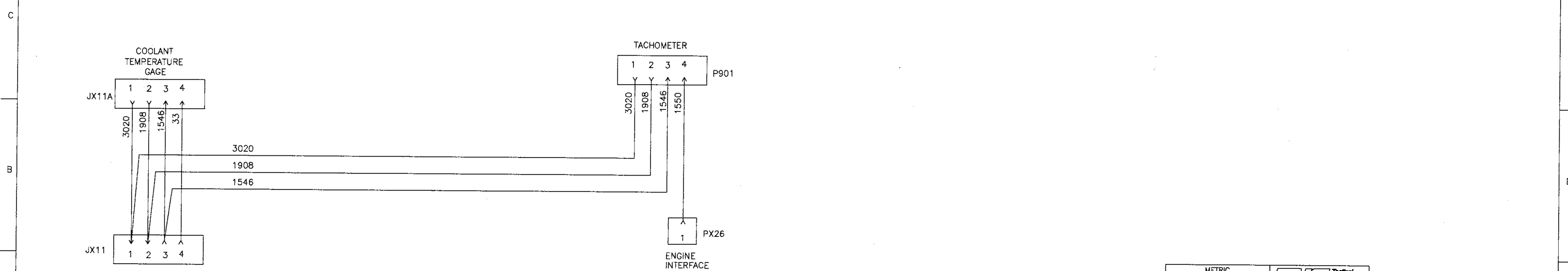
LIMITED RIGHTS STATEMENT:
 A. THIS DRAWING IS THE PROPERTY OF THE U.S. GOVERNMENT AND IS TO BE REPRODUCED AND TRANSMITTED IN ANY FORM AND BY ANY MEANS, ELECTRONIC OR MECHANICAL, INCLUDING PHOTOCOPYING, RECORDING, OR BY ANY INFORMATION STORAGE AND RETRIEVAL SYSTEM, WITHOUT PERMISSION IN WRITING FROM THE U.S. GOVERNMENT.
 B. THIS DRAWING IS TO BE USED ONLY FOR THE PRODUCTION OF THE ITEM IDENTIFIED IN THE TITLE AND FOR THE APPLICATION IDENTIFIED IN THE TITLE. IT IS NOT TO BE USED FOR ANY OTHER PURPOSE.

PKIC A MECHANICAL PROPERTIES YF TS RA BH RH	NEXT ASSY USED ON APPLICATION	METRIC DO NOT SCALE DRAWING UNLESS OTHERWISE SPECIFIED DIMENSIONS ARE IN MILLIMETERS TOLERANCES ON ANGLES: ° 0 PLACE DECIMALS ± ° 1 PLACE DECIMALS ± THIRD ANGLE PROJECTION		TVS Tactical Vehicle Systems 2001-11-15, 2004-11-15, 2007-11-15, 2008-09-02 DRAWN BY: D. PENROSE CHECKER: A. CHANDLER ENGINEER: A. CHANDLER QUALITY ENGINEER:	TVS FAMILY OF MEDIUM TACTICAL VEHICLES
					ELECTRICAL SCHEMATIC, A0 - A1 LSAC
DRAWING APPROVAL: _____ DESIGN APPROVAL: _____				SIZE: E CASE CODE: OFW39 DWG NO: APC30422	SHEET 39

REVISIONS				
ZONE	REV	DESCRIPTION	DATE (YEAR-MO-DA)	APPROVED
		INITIAL RELEASE - PRODUCT BASELINE	2008-09-02	ADK/DMR
		ECO10374		EDP/AC



**WIRING DIAGRAM FOR
INTERFACE ADAPTER
ENGINE CONTROL**



**WIRING DIAGRAM FOR
INTERFACE ADAPTER
TACHOMETER**

LIMITED RIGHTS STATEMENT:
A. THIS DOCUMENT CONTAINS INFORMATION THAT IS UNCLASSIFIED AND IS BEING RELEASED TO THE PUBLIC.
B. THIS DOCUMENT IS UNCLASSIFIED AND IS BEING RELEASED TO THE PUBLIC.

PHIC A	MECHANICAL PROPERTIES	METRIC DO NOT SCALE DRAWING			TVS FAMILY OF MEDIUM TACTICAL VEHICLES	
		UNLESS OTHERWISE SPECIFIED DIMENSIONS ARE IN MILLIMETERS			ELECTRICAL SCHEMATIC, AO-A1, LSAC	
YIP		TOLERANCES ON ANGLES ± 0 PLACE DECIMALS ± 1 PLACE DECIMALS ±		DRAWN BY: D.PENROSE CHECKED: A.CHAUDHURI ENGINEER: A.CHAUDHURI QUALITY ENGINEER:	DATE (YEAR-MO-DA) 2008-09-02	SIZE E
EL2		THIRD ANGLE PROJECTION		DRAWING APPROVAL		SCALE NONE
RA		NEXT ASSY USED ON		DESIGN APPROVAL		CAGE CODE OFW39
BH		APPLICATION				DWG NO APC30422
RH						UNIT WT. SHEET 40

NOTES:

1. APPLICABLE STANDARDS/SPECIFICATIONS:
 A. ASME Y14.100-2000
 B. ASME Y14.5M-1994
2. IEEE/ASTM SI 10 SHALL BE USED IN CONVERTING AND ROUNDING OFF. 1 INCH=25.4mm APPLIES.
3. B4 HEATER POSITIONS
 0 - OFF
 1 - LOW
 2 - MED
 3 - HIGH
4. THE FOLLOWING SIGNALS UTILIZE SAE J1587 VEHICLE DATA BUS: ENGINE OIL PRESSURE, COOLANT TEMPERATURE, ENGINE SPEED (RPM), VEHICLE SPEED, VOLTAGE (+24V), CHECK TRANSMISSION, TRANSMISSION TEMPERATURE AND TRAILER ABS.
5. USED ON VEHICLE SERIAL No's 100,001 TO 105,725.
6. FOR GENERAL CROSS REFERENCE, THIS SCHEMATIC IS DERIVED FROM THE STANDARD FMTV ELECTRICAL SCHEMATIC: 12423146.

ZONE REV		DESCRIPTION	DATE (YY-MM-DD)	APPROVED
-	-	- INITIAL RELEASE - PRODUCT BASELINE E0010374	2008-09-02	A. GIBSON (S) / AZ

CIRCUIT BREAKER	BATTERY	FUSE	OPEN CONTACT	CLOSED CONTACT	SWITCH	PUSHBUTTON	FILTER
SPLICE	ALTERNATOR	MOTOR	CONNECTOR	TERMINAL BLOCK	PRESSURE SWITCH	TEMPERATURE SWITCH	AUDIBLE ALARM
POWER RELAY	LAMP	LED	DUAL BEAM LAMP	BLACKOUT MARKER	METER OR GAUGE	POWER OR GROUND	DIODE
OPTION FLAG	RESISTOR	SENSOR	RECEPTACLE	CONNECTION	RELAY	SOLENOID	GROUND

LIMITED RIGHTS STATEMENT:

A. THIS DRAWING IS THE PROPERTY OF THE U.S. GOVERNMENT AND IS TO BE RELEASED TO THE PUBLIC UNDER THE PROVISIONS OF EXECUTIVE ORDER 11652, AS AMENDED BY EXECUTIVE ORDER 12958, AND IS NOT TO BE REPRODUCED OR TRANSMITTED IN ANY FORM OR BY ANY MEANS, ELECTRONIC OR MECHANICAL, INCLUDING PHOTOCOPYING, RECORDING, OR BY ANY INFORMATION STORAGE AND RETRIEVAL SYSTEM, WITHOUT PERMISSION IN WRITING FROM THE U.S. GOVERNMENT.

<p>DO NOT SCALE DRAWING</p> <p>UNLESS OTHERWISE SPECIFIED DIMENSIONS ARE IN MILLIMETERS</p> <p>THIRD ANGLE PROJECTION</p>		<p>TVS Family of Medium Tactical Vehicles</p> <p>TVS FAMILY OF MEDIUM TACTICAL VEHICLES</p>
<p>MECHANICAL PROPERTIES</p> <p>TYP: _____</p> <p>MATERIAL: _____</p> <p>FINISH: _____</p> <p>DATE: _____</p> <p>BY: _____</p> <p>CHKD: _____</p> <p>APP'D: _____</p>	<p>DESIGNED BY: D. FENROSE</p> <p>DESIGNED BY: A. CHANDLER</p> <p>DATE: 2008-09-02</p> <p>DATE: 2008-09-02</p>	<p>ELECTRICAL SCHEMATIC, A1R WTEC III LSAC</p> <p>SIZE: E</p> <p>CHK CODE: OFW39</p> <p>REV: APC30423</p> <p>SCALE: NONE</p> <p>SHEET: 1 OF 23</p>

Table with columns: EQUIPMENT LIST REF, REFERENCE DESIGNATION, DESCRIPTION, SHEET NUMBER, LOCATION. Contains multiple columns of equipment details.

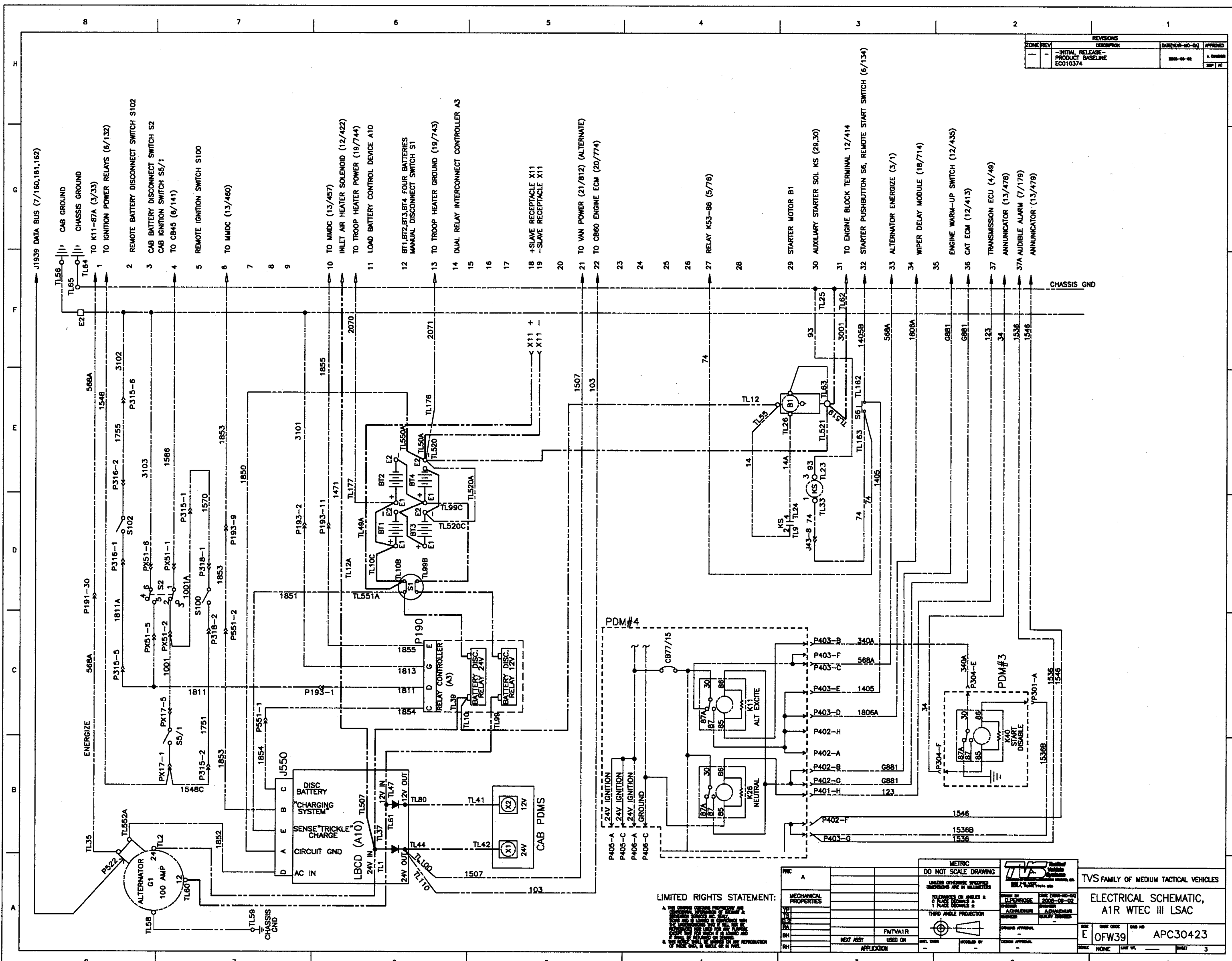
REVISIONS table with columns: ZONE REV, DESCRIPTION, DATE/TIME-REV, APPROVED. Includes revision 1: INITIAL RELEASE - PRODUCT BASELINE.

Table with columns: REFERENCE DESIGNATION, EQUIPMENT LIST REF, DESCRIPTION, SHEET NUMBER, LOCATION. Lists specific components like WINCH ON/OFF SWITCH.

LIMITED RIGHTS STATEMENT: A. THIS DRAWING CONTAINS PROPRIETARY AND UNCLASSIFIED INFORMATION...

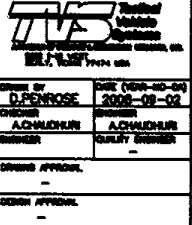
Technical drawing header including: METRIC, DO NOT SCALE DRAWING, TVS logo, TVS FAMILY OF MEDIUM TACTICAL VEHICLES, ELECTRICAL SCHEMATIC, AIR WTEC III LSAC, and drawing codes like OFW39 and APC30423.

REVISIONS		DATE (YY-MM-DD)	APPROVED
1	INITIAL RELEASE - PRODUCT BASELINE ECU10374	2008-08-01	A. [Signature]

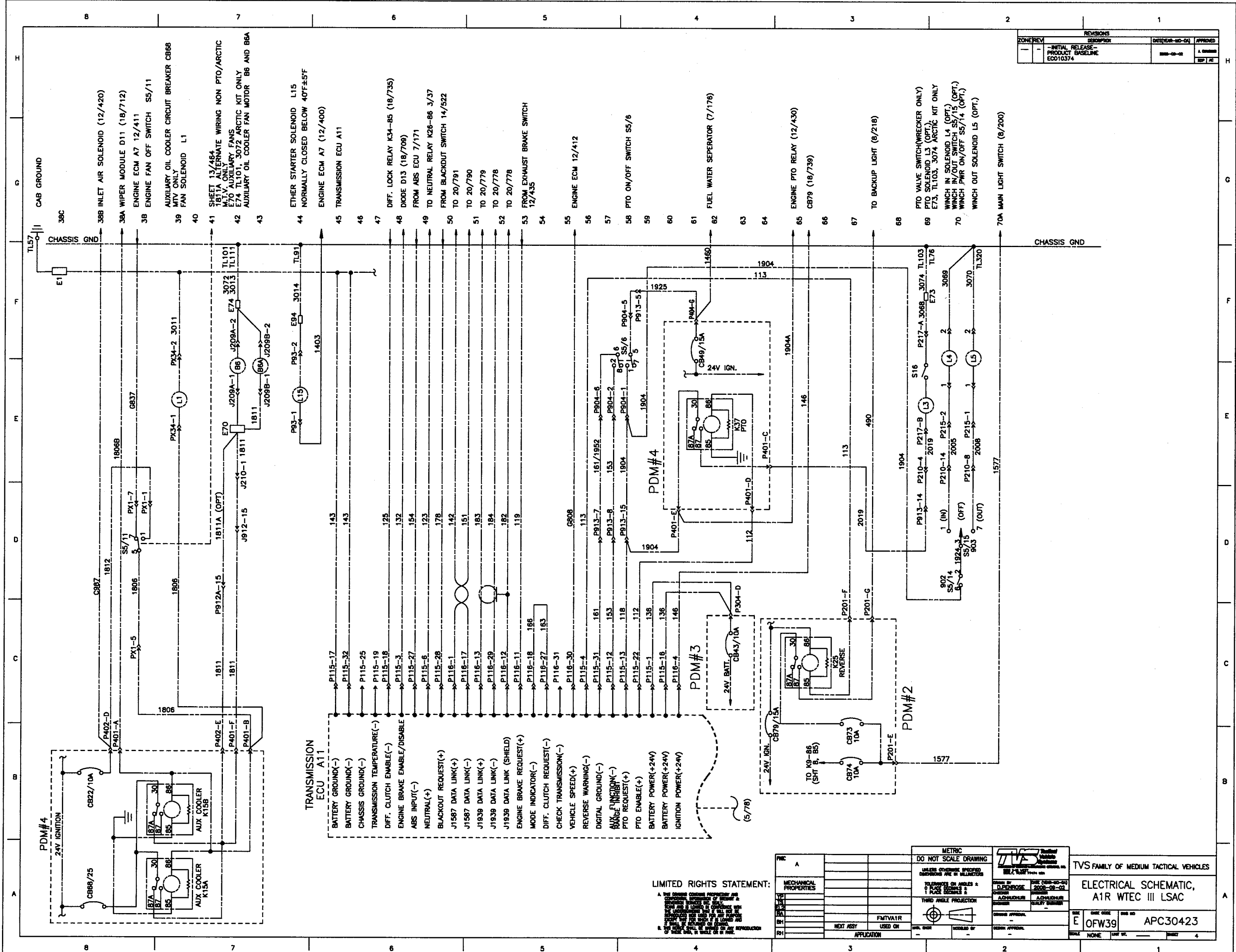


LIMITED RIGHTS STATEMENT:
 A. THIS DRAWING IS THE PROPERTY OF THE U.S. GOVERNMENT AND IS LOANED TO YOUR ORGANIZATION. IT AND ITS CONTENTS ARE NOT TO BE DISTRIBUTED OR REPRODUCED IN ANY MANNER WITHOUT THE EXPRESS WRITTEN PERMISSION OF THE U.S. GOVERNMENT.

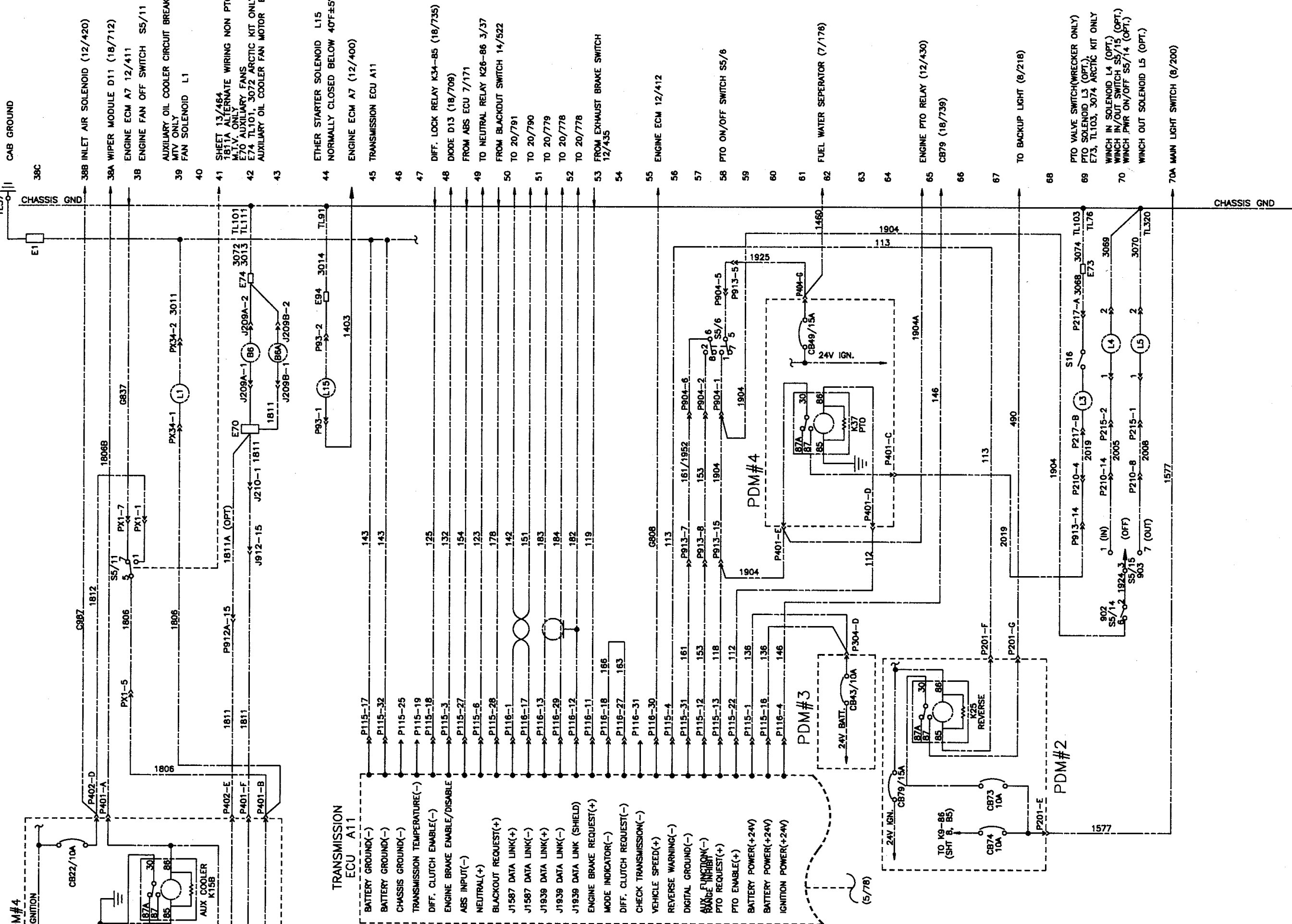
REV	DESCRIPTION	DATE
1	INITIAL RELEASE	2008-08-01



TVS FAMILY OF MEDIUM TACTICAL VEHICLES	
ELECTRICAL SCHEMATIC, A1R WTEC III LSAC	
DATE: 08/01/08	APP: APC30423
SCALE: NONE	SHEET: 3



REVISIONS			
ZONE	REV	DESCRIPTION	DATE (YEAR-MO-DAY)
-	-	- INITIAL RELEASE - PRODUCT BASELINE EOD10374	2008-09-02
			APPROVED
			REP. #



- TRANSMISSION ECU A11
- BATTERY GROUND(-)
 - BATTERY GROUND(-)
 - CHASSIS GROUND(-)
 - TRANSMISSION TEMPERATURE(-)
 - DIFF. CLUTCH ENABLE(-)
 - ENGINE BRAKE ENABLE/DISABLE
 - ABS INPUT(-)
 - NEUTRAL(+)
 - BLACKOUT REQUEST(+)
 - J1587 DATA LINK(+)
 - J1939 DATA LINK(+)
 - J1939 DATA LINK(-)
 - J1836 DATA LINK (SHIELD)
 - ENGINE BRAKE REQUEST(+)
 - MODE INDICATOR(-)
 - DIFF. CLUTCH REQUEST(-)
 - CHECK TRANSMISSION(-)
 - VEHICLE SPEED(+)
 - REVERSE WARNING(-)
 - DIGITAL GROUND(-)
 - AUXILIARY FAN REQUEST(-)
 - PTO REQUEST(+)
 - PTO ENABLE(+)
 - BATTERY POWER(+24V)
 - BATTERY POWER(+24V)
 - IGNITION POWER(+24V)

LIMITED RIGHTS STATEMENT:

THIS DRAWING IS THE PROPERTY OF TVS. IT IS TO BE USED FOR THE PURPOSES SPECIFIED ONLY. IT IS TO BE KEPT IN CONFIDENCE AND NOT TO BE REPRODUCED OR TRANSMITTED IN ANY FORM OR BY ANY MEANS, ELECTRONIC OR MECHANICAL, INCLUDING PHOTOCOPYING, RECORDING, OR BY ANY INFORMATION STORAGE AND RETRIEVAL SYSTEM, WITHOUT THE WRITTEN PERMISSION OF TVS.

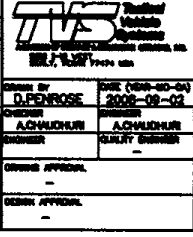
REV	DATE	DESCRIPTION
1		
2		
3		
4		

DO NOT SCALE DRAWING

UNLESS OTHERWISE SPECIFIED DIMENSIONS ARE IN MILLIMETERS

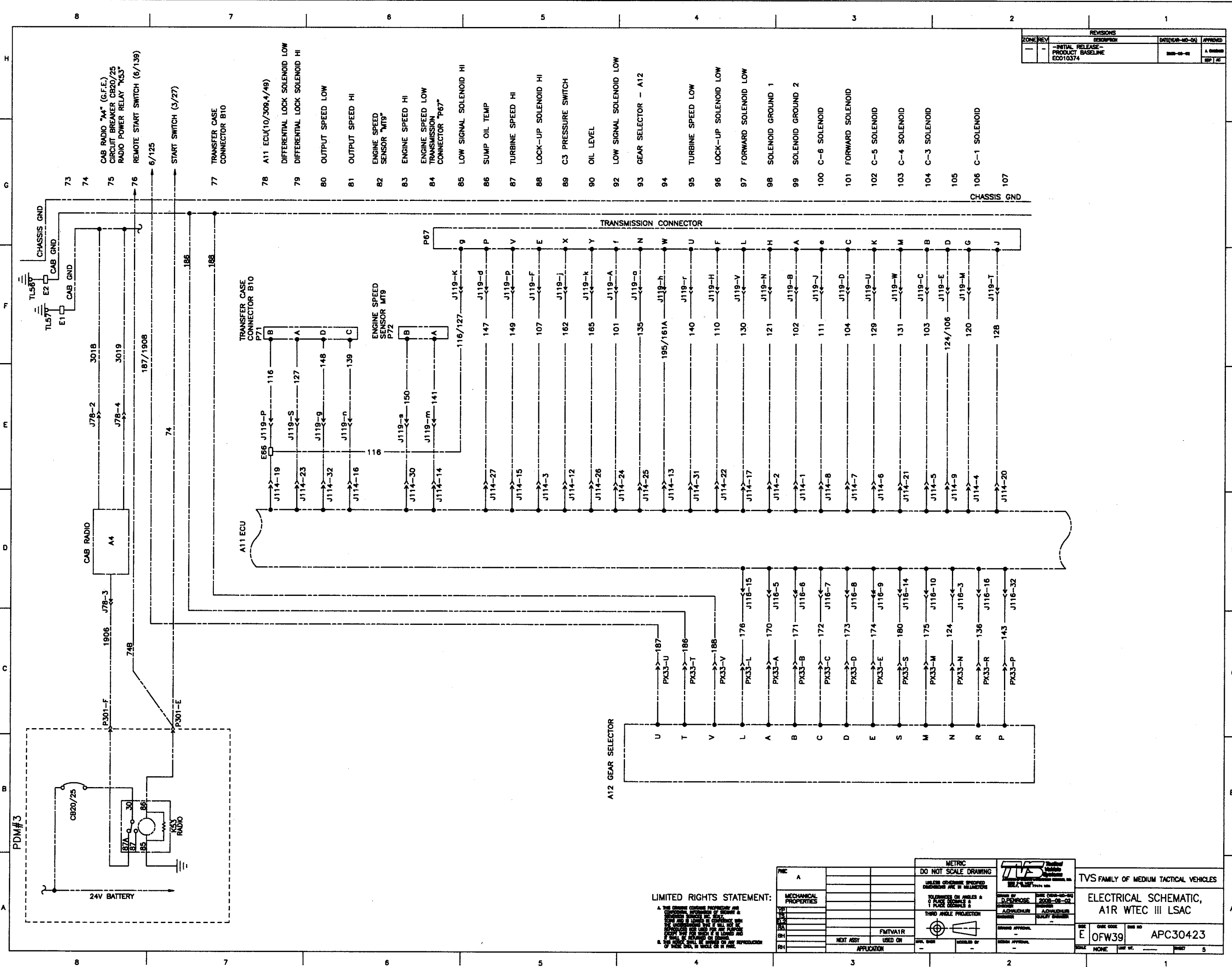
TOLERANCES ON ANGLES ± 1° UNLESS OTHERWISE SPECIFIED

THIRD ANGLE PROJECTION



TVS FAMILY OF MEDIUM TACTICAL VEHICLES		
ELECTRICAL SCHEMATIC, A1R WTEC III LSAC		
REV	DATE	DESCRIPTION
E	0FW39	APC30423
SCALE	NONE	UNIT: mm

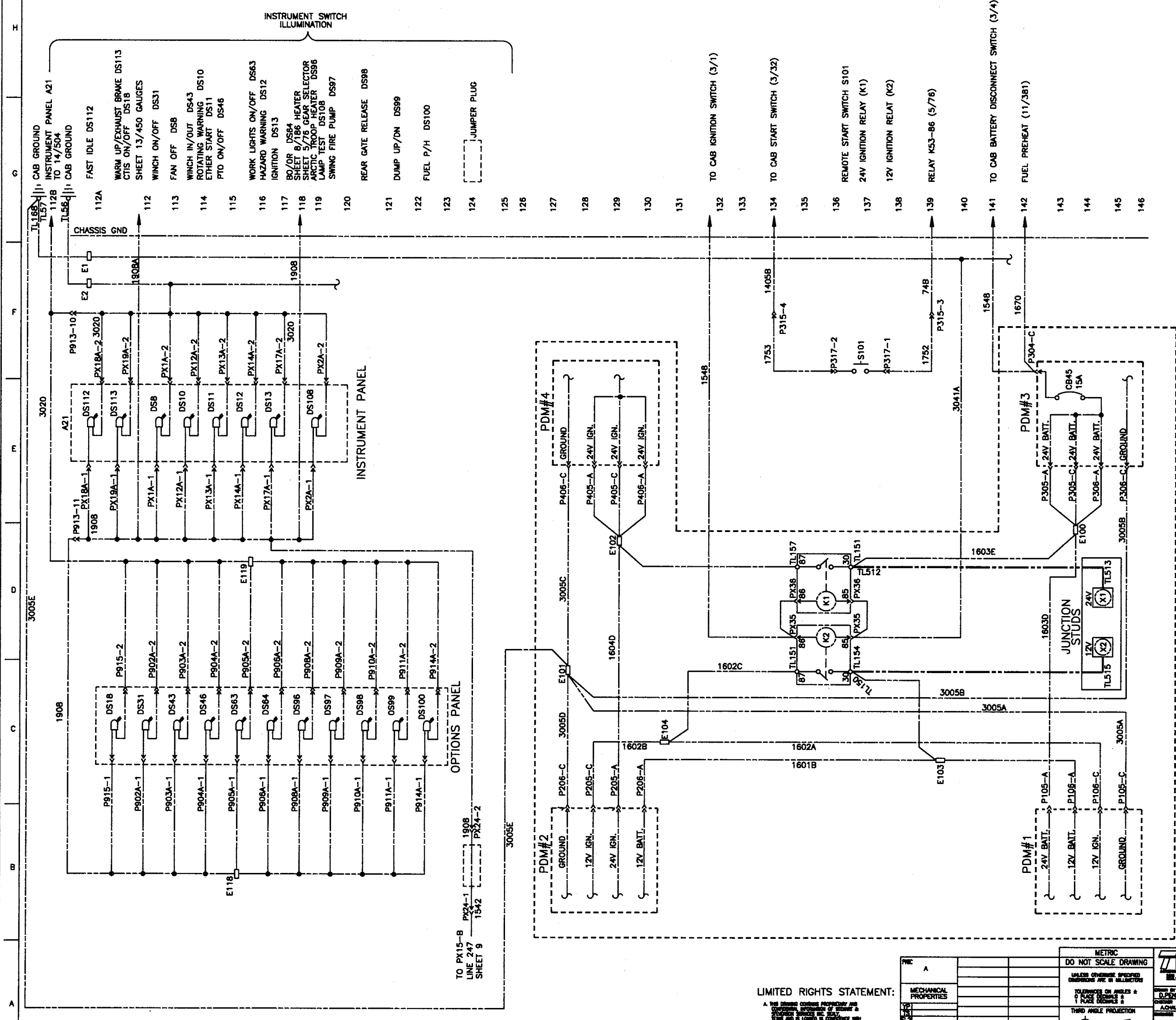
REVISIONS		DATE/REV-NO	APPROVED
1	-	INITIAL RELEASE - PRODUCT BASELINE ECU10374	A. HANSEN
2	-	2008-08-02	SP12Z



LIMITED RIGHTS STATEMENT:
 A. THE DESIGN ORIGINATOR IS THE U.S. GOVERNMENT AND ALL RIGHTS ARE RESERVED THEREIN.
 B. THIS DRAWING IS THE PROPERTY OF THE U.S. GOVERNMENT AND IS LOANED TO YOU. IT AND ITS CONTENTS ARE NOT TO BE DISTRIBUTED OUTSIDE YOUR ORGANIZATION.
 C. THE U.S. GOVERNMENT WILL BE RESPONSIBLE FOR ANY REPRODUCTION OF THIS DRAWING IN WHOLE OR IN PART.

PWC A		METRIC DO NOT SCALE DRAWING		TVS FAMILY OF MEDIUM TACTICAL VEHICLES	
MECHANICAL PROPERTIES		UNLESS OTHERWISE SPECIFIED DIMENSIONS ARE IN MILLIMETERS		ELECTRICAL SCHEMATIC, A1R WTEC III LSAC	
TYP		TOLERANCES ON ANGLES A 0 PLACE DECIMALS & 2 PLACE FRACTIONS		DATE (REV-NO-00) 2008-08-02	
MFG		THIRD ANGLE PROJECTION		DRAWN BY D. FORTROSE	
MATERIAL		FMTVA1R		CHECKED BY ACHAUHAUS	
NEXT ASSY USED ON		APPLICATION		DESIGN APPROVAL	
REV		APPROVAL		DATE	
1		NONE		5	

REVISIONS		DATE	BY	APP'D
1	INITIAL RELEASE PRODUCT BASELINE ECO10374	2000-08-02	A. GIBSON	BP 1/2



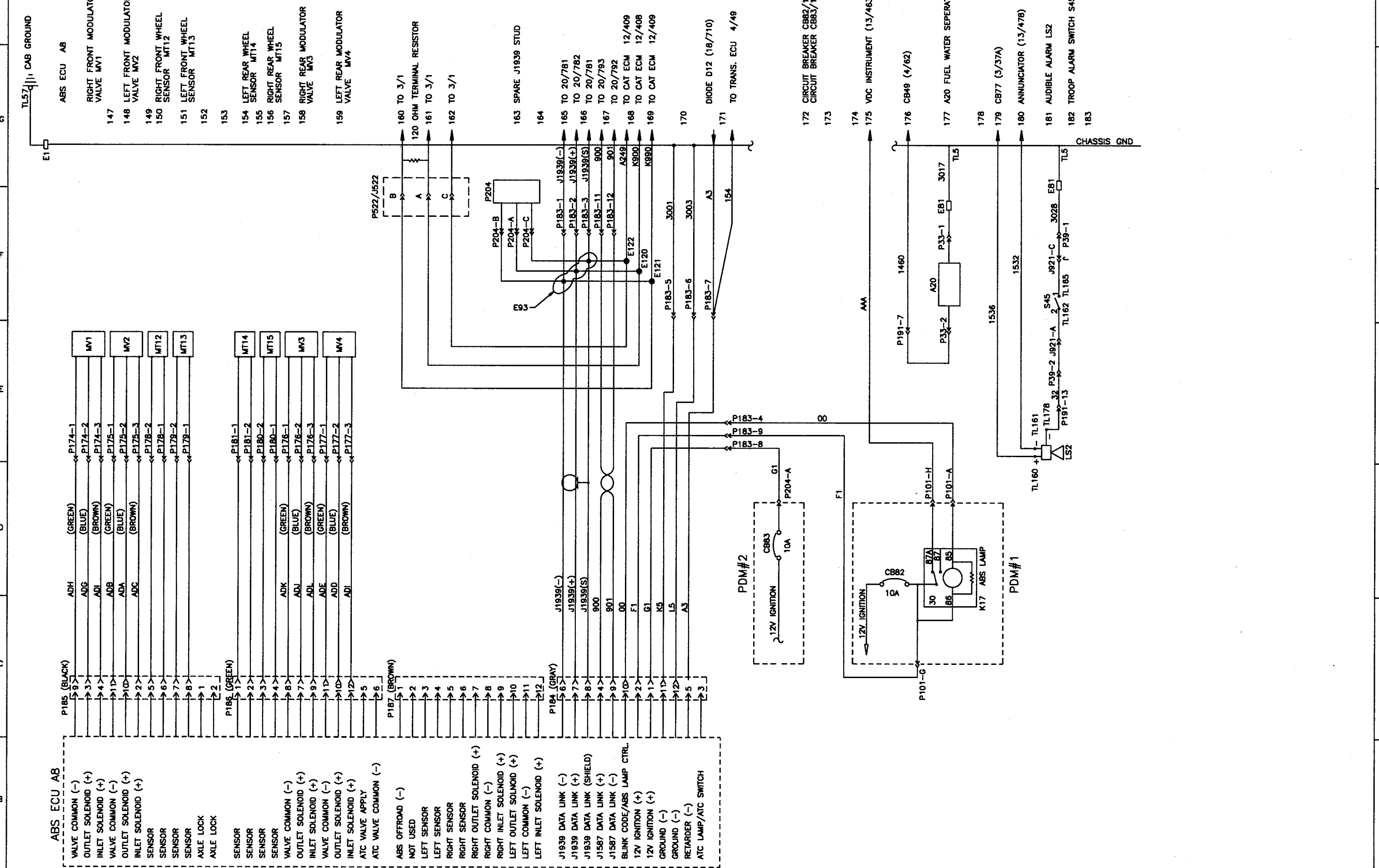
TO PX15-B
LINE 247
SHEET 9

TO PX24-1
LINE 1542
SHEET 9

LIMITED RIGHTS STATEMENT:
A. THE DRAWING IS THE PROPERTY OF THE DRAWING OFFICE AND IS NOT TO BE REPRODUCED OR TRANSMITTED IN ANY FORM OR BY ANY MEANS, ELECTRONIC OR MECHANICAL, INCLUDING PHOTOCOPYING, RECORDING, OR BY ANY INFORMATION STORAGE AND RETRIEVAL SYSTEM, WITHOUT THE WRITTEN PERMISSION OF THE DRAWING OFFICE.
B. THIS DRAWING IS THE PROPERTY OF THE DRAWING OFFICE AND IS NOT TO BE REPRODUCED OR TRANSMITTED IN ANY FORM OR BY ANY MEANS, ELECTRONIC OR MECHANICAL, INCLUDING PHOTOCOPYING, RECORDING, OR BY ANY INFORMATION STORAGE AND RETRIEVAL SYSTEM, WITHOUT THE WRITTEN PERMISSION OF THE DRAWING OFFICE.

METRIC DO NOT SCALE DRAWING		TVS FAMILY OF MEDIUM TACTICAL VEHICLES	
UNLESS OTHERWISE SPECIFIED DIMENSIONS ARE IN MILLIMETERS		ELECTRICAL SCHEMATIC, A1R WTEC III LSAC	
THIRD ANGLE PROJECTION		APC30423	
APPROVALS		DATE	
DRAWN BY: [Signature]		DATE: 2000-08-02	
CHECKED BY: [Signature]		DATE: 2000-08-02	
APPROVED BY: [Signature]		DATE: 2000-08-02	
SCALE: NONE		UNIT: IN	

REVISIONS		DATE/REV-NO-QU	APPROVED
---	INITIAL RELEASE - PRODUCT BASELINE ECU10374	2008-09-02	A. GARDNER



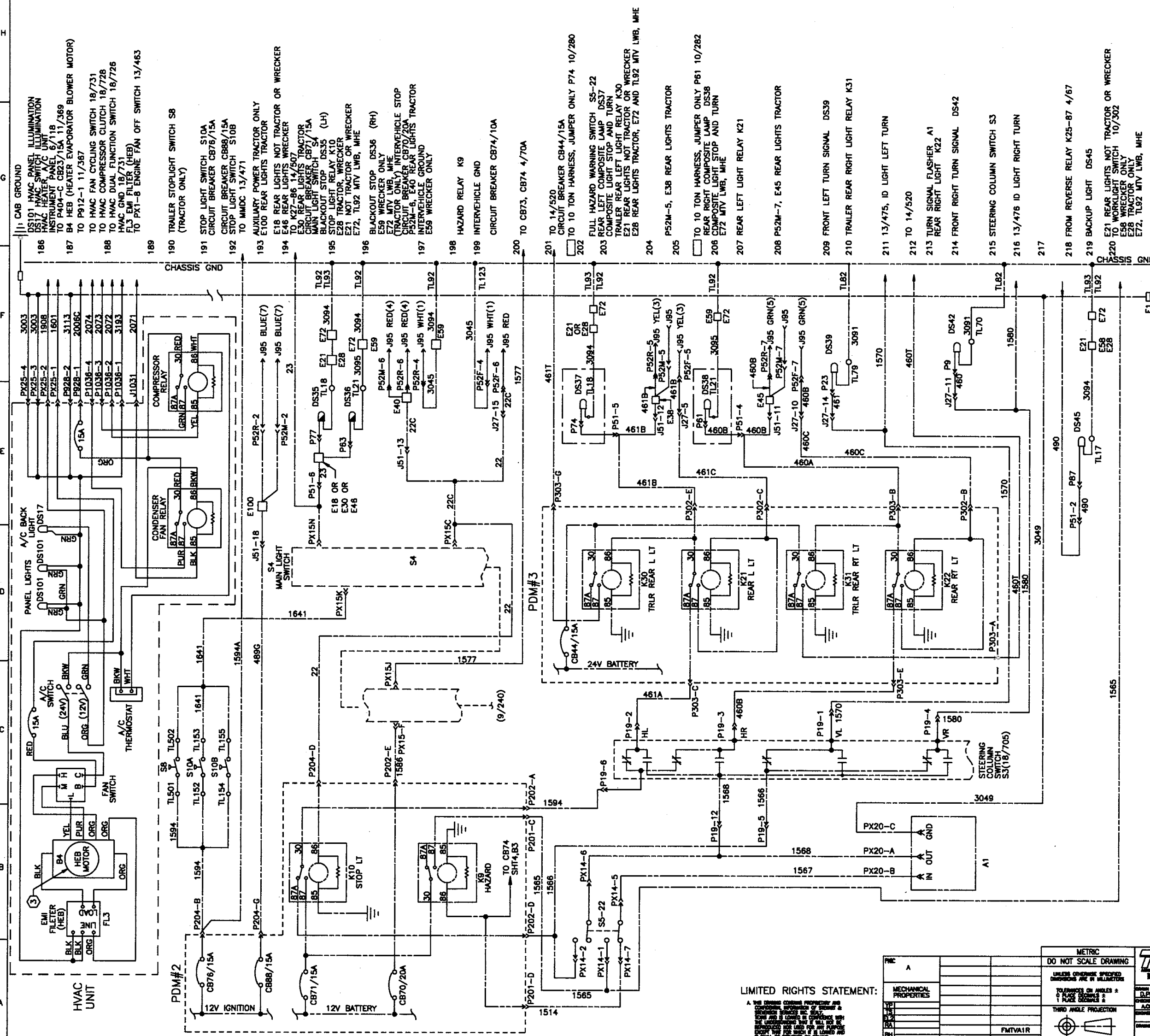
- ABS ECU AB**
- VALVE COMMON (-)
 - OUTLET SOLENOID (+)
 - INLET SOLENOID (+)
 - VALVE COMMON (-)
 - OUTLET SOLENOID (+)
 - INLET SOLENOID (+)
 - SENSOR
 - SENSOR
 - SENSOR
 - AXLE LOCK
 - AXLE LOCK
 - SENSOR
 - SENSOR
 - SENSOR
 - VALVE COMMON (-)
 - OUTLET SOLENOID (+)
 - INLET SOLENOID (+)
 - VALVE COMMON (-)
 - OUTLET SOLENOID (+)
 - INLET SOLENOID (+)
 - ATC VALVE APPLY
 - ATC VALVE COMMON (-)
 - ABS OFFROAD (-)
 - NOT USED
 - LEFT SENSOR
 - RIGHT SENSOR
 - RIGHT SENSOR
 - RIGHT OUTLET SOLENOID (+)
 - RIGHT COMMON (-)
 - RIGHT INLET SOLENOID (+)
 - LEFT OUTLET SOLENOID (+)
 - LEFT COMMON (-)
 - LEFT INLET SOLENOID (+)
 - J1939 DATA LINK (-)
 - J1939 DATA LINK (+)
 - J1939 DATA LINK (SHIELD)
 - J1587 DATA LINK (+)
 - J1587 DATA LINK (-)
 - BLINK CODE/ABS LAMP CTRL
 - 12V IGNITION (+)
 - 12V IGNITION (+)
 - GROUND (-)
 - GROUND (-)
 - RETARDER (-)
 - ATC LAMP/ATC SWITCH

LIMITED RIGHTS STATEMENT:

A. THIS DRAWING CONTAINS PROPRIETARY AND CONFIDENTIAL INFORMATION OF THE U.S. GOVERNMENT AND IS THE PROPERTY OF THE U.S. GOVERNMENT. IT IS TO BE CONTAINED AND CONTROLLED AS SUCH. IT IS TO BE REPRODUCED AND TRANSMITTED IN ANY FORM OR BY ANY MEANS, ELECTRONIC OR MECHANICAL, INCLUDING PHOTOCOPYING, RECORDING, OR BY ANY INFORMATION STORAGE AND RETRIEVAL SYSTEM, WITHOUT PERMISSION IN WRITING FROM THE U.S. GOVERNMENT. THE U.S. GOVERNMENT SHALL BE GRANTED A NON-EXCLUSIVE, IRREVOCABLE, AND EXCLUSIVE LICENSE TO REPRODUCE AND TRANSMIT THIS DRAWING IN ANY FORM OR BY ANY MEANS, ELECTRONIC OR MECHANICAL, INCLUDING PHOTOCOPYING, RECORDING, OR BY ANY INFORMATION STORAGE AND RETRIEVAL SYSTEM, WITHOUT PERMISSION IN WRITING FROM THE U.S. GOVERNMENT.

PART		METRIC		TVS	
A		DO NOT SCALE DRAWING		TVS FAMILY OF MEDIUM TACTICAL VEHICLES	
MECHANICAL PROPERTIES		UNLESS OTHERWISE SPECIFIED DIMENSIONS ARE IN MILLIMETERS		ELECTRICAL SCHEMATIC, A1R WTEC III LSAC	
TOLERANCES ON ANGLES & RADIUS DIMENSIONS & HOLE DIMENSIONS & HOLE LOCATIONS		THIRD ANGLE PROJECTION		SIZE ONE CODE ONE NO APC30423	
NEXT ASSY USED ON		APPLICATION		SCALE NONE UNIT WT. SHEET 7	

REVISIONS				
ZONE	REV	DESCRIPTION	DATE (YEAR-MO-DA)	APPROVED
		INITIAL RELEASE - PRODUCT BASELINE	2008-09-02	A. CHENEY
		ECO10374		EPJ/AC



- 11 CAB GROUND
- DS101 HVAC PANEL ILLUMINATION
- DS17 HVAC SWITCH UNIT
- DS18 HEATER A/C UNIT
- DS19 HEATER A/C UNIT
- TO P404 C. CB23/15A 11/369
- BA HEB (HEATER EVAPORATOR BLOWER MOTOR)
- TO P512-1 11/7357
- TO HVAC FAN CYCLING SWITCH 18/731
- TO HVAC COMPRESSOR CLUTCH 18/728
- TO HVAC DUAL FUNCTION SWITCH 18/728
- HVAC GND 18/731
- FL3 EMI FILTER (HEB)
- TO PX1-B ENGINE FAN OFF SWITCH 13/463

- 186 TRAILER STOPLIGHT SWITCH SB (TRACTOR ONLY)
- 190 STOP LIGHT SWITCH S10A
- 191 CIRCUIT BREAKER CB76/15A
- 192 STOP LIGHT SWITCH S10B
- TO MMDC 13/471
- AUXILIARY POWER TRACTOR ONLY
- 193 E100 REAR LIGHTS TRACTOR
- 194 E18 REAR LIGHTS NOT TRACTOR OR WRECKER
- E46 REAR LIGHTS WRECKER
- TO K27-86 14/507
- E30 REAR LIGHTS TRACTOR
- MAIN LIGHT SWITCH CB74/15A
- BLACKOUT STOP DS35 (LH)
- 195 E28 TRACTOR WRECKER
- E21 NOT TRACTOR OR WRECKER
- E72, TL92 MTV LWB, MHE
- 196 BLACKOUT STOP DS36 (RH)
- E59 WRECKER ONLY
- TRACTOR ONLY INTERVEHICLE STOP
- CIRCUIT BREAKER CB70/20A
- 197 INTERVEHICLE GROUND
- E59 WRECKER ONLY
- 198 HAZARD RELAY K9
- 199 INTERVEHICLE GND
- CIRCUIT BREAKER CB74/10A
- TO CB73, CB74 4/70A
- 201 TO 14/520
- CIRCUIT BREAKER CB44/15A
- 202 TO 10 TON HARNESS, JUMPER ONLY P74 10/280
- 203 FULL HAZARD WARNING SWITCH SS-22
- REAR LEFT COMPOSITE LAMP DS37
- COMPOSITE LIGHT STOP AND TURN
- TRACTOR ONLY LIGHT RELAY K30
- E48 REAR LIGHTS NOT TRACTOR OR WRECKER
- E28 REAR LIGHTS TRACTOR, E72 AND TL92 MTV LWB, MHE
- 204
- P52M-5, E38 REAR LIGHTS TRACTOR
- 205 TO 10 TON HARNESS, JUMPER ONLY P61 10/282
- REAR RIGHT COMPOSITE LAMP DS38
- 206 COMPOSITE LIGHT STOP AND TURN
- E72 MTV LWB, MHE
- 207 REAR LEFT LIGHT RELAY K21
- 208 P52M-7, E45 REAR LIGHTS TRACTOR
- 209 FRONT LEFT TURN SIGNAL DS39
- 210 TRAILER REAR RIGHT LIGHT RELAY K31
- 211 13/475, ID LIGHT LEFT TURN
- 212 TO 14/520
- 213 TURN SIGNAL FLASHER A1
- REAR RIGHT LIGHT K22
- 214 FRONT RIGHT TURN SIGNAL DS42
- 215 STEERING COLUMN SWITCH S3
- 216 13/476 ID LIGHT RIGHT TURN
- 217
- 218 FROM REVERSE RELAY K25-87 4/67
- 219 BACKUP LIGHT DS45
- E21 REAR LIGHTS NOT TRACTOR OR WRECKER
- TO WORKLIGHT SWITCH 10/302
- E58 WRECKER ONLY
- E28 TRACTOR ONLY
- E72, TL92 MTV LWB, MHE
- TO TL57 CAB GROUND

LIMITED RIGHTS STATEMENT:
 A. THIS DOCUMENT CONTAINS PROPRIETARY AND CONFIDENTIAL INFORMATION OF THE UNITED STATES GOVERNMENT. IT IS THE PROPERTY OF THE UNITED STATES GOVERNMENT AND IS LOANED TO YOUR ORGANIZATION. IT AND ITS CONTENTS ARE NOT TO BE DISTRIBUTED, REPRODUCED, COPIED, OR TRANSMITTED IN ANY FORM OR BY ANY MEANS, ELECTRONIC OR MECHANICAL, INCLUDING PHOTOCOPYING, RECORDING, OR BY ANY INFORMATION STORAGE AND RETRIEVAL SYSTEM, WITHOUT THE EXPRESS WRITTEN PERMISSION OF THE UNITED STATES GOVERNMENT.

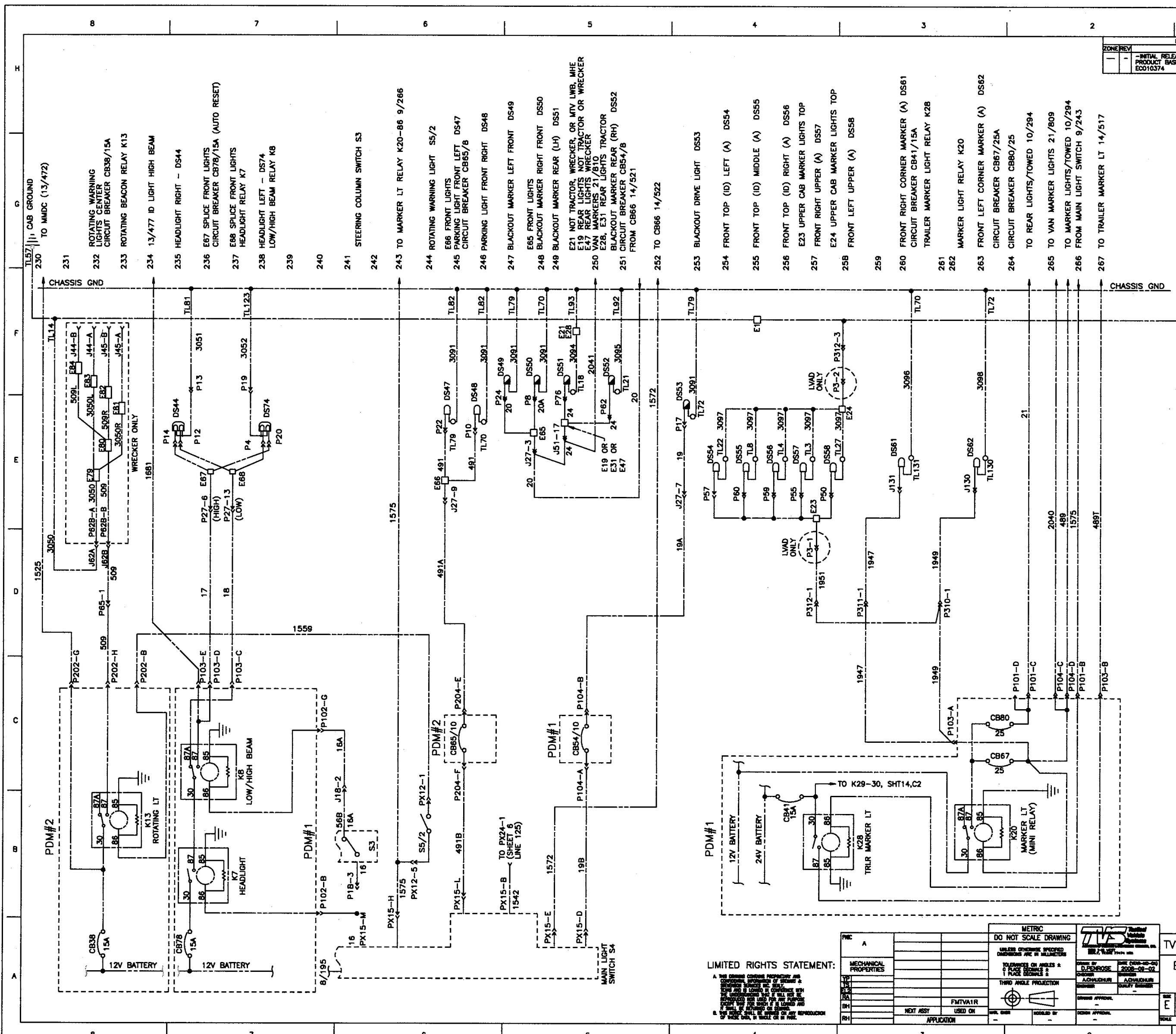
REV	DESCRIPTION	DATE
1	ISSUED FOR REVIEW	2008-09-02
2	ISSUED FOR REVIEW	2008-09-02
3	ISSUED FOR REVIEW	2008-09-02
4	ISSUED FOR REVIEW	2008-09-02
5	ISSUED FOR REVIEW	2008-09-02
6	ISSUED FOR REVIEW	2008-09-02
7	ISSUED FOR REVIEW	2008-09-02

METRIC
 DO NOT SCALE DRAWING
 UNLESS OTHERWISE SPECIFIED
 DIMENSIONS ARE IN MILLIMETERS
 TOLERANCES ON ANGLES ±
 1 PLACE DECIMALS ±
 THIRD ANGLE PROJECTION

DESIGNED BY	D. PENROSE	DATE (YEAR-MO-DA)	2008-09-02
DESIGNED BY	A. CHENEY	DATE (YEAR-MO-DA)	2008-09-02
DESIGNED BY	A. CHENEY	DATE (YEAR-MO-DA)	2008-09-02
DESIGNED BY	A. CHENEY	DATE (YEAR-MO-DA)	2008-09-02
DESIGNED BY	A. CHENEY	DATE (YEAR-MO-DA)	2008-09-02

TVS FAMILY OF MEDIUM TACTICAL VEHICLES
 ELECTRICAL SCHEMATIC,
 A1R WTEC III LSAC
 E OFW39
 APC30423

REVISIONS				
ZONE	REV	DESCRIPTION	DATE (YEAR-MO-DAY)	APPROVED
	1	INITIAL RELEASE - PRODUCT BASELINE EOC10374	2008-08-01	A. OSBORN ESP/JC



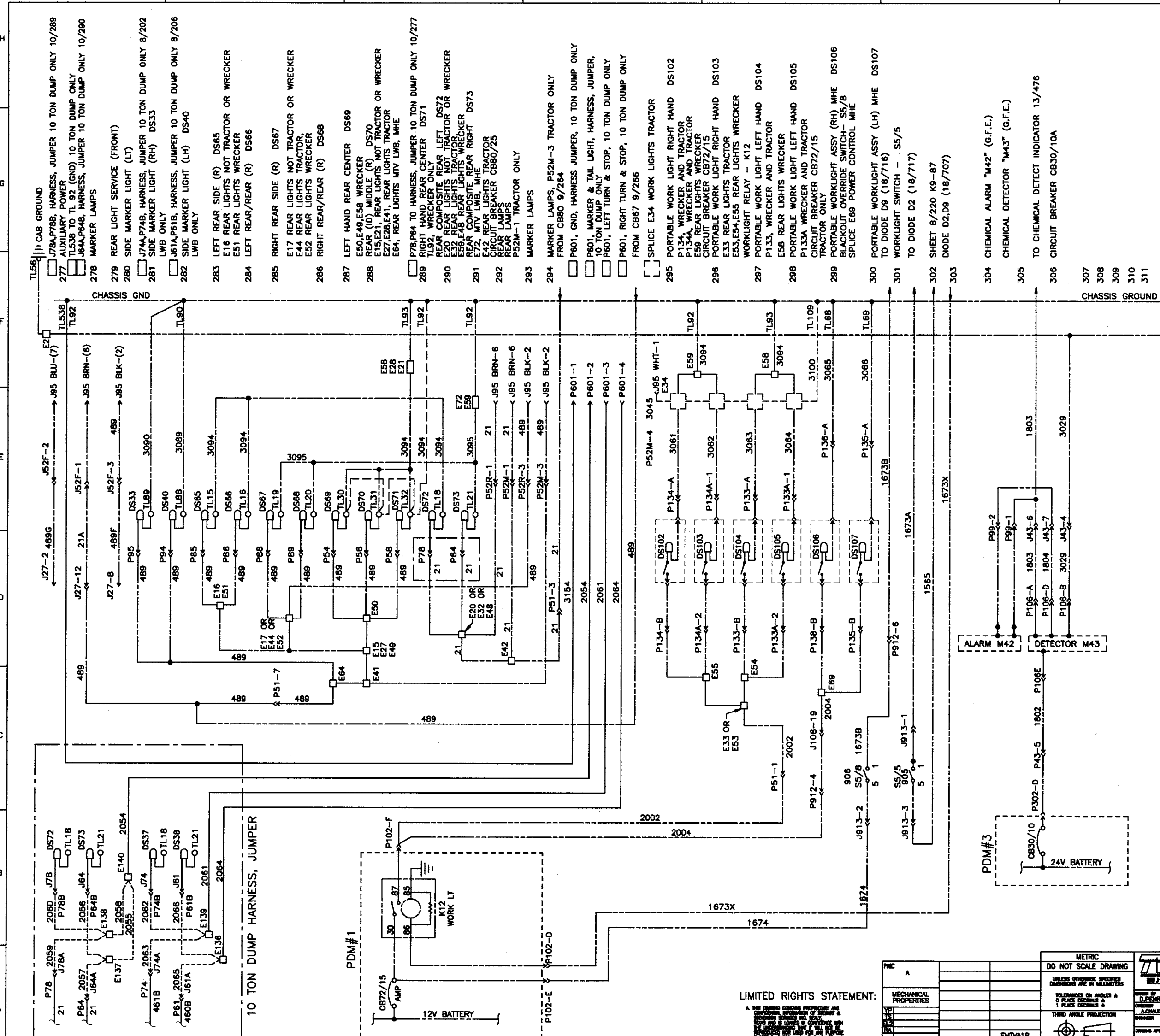
LIMITED RIGHTS STATEMENT:
 A. THIS DRAWING IS THE PROPERTY OF THE U.S. GOVERNMENT AND IS LOANED TO YOUR ORGANIZATION. IT AND ITS CONTENTS ARE NOT TO BE DISTRIBUTED OR REPRODUCED IN ANY MANNER WITHOUT THE EXPRESS WRITTEN PERMISSION OF THE U.S. GOVERNMENT.
 B. THIS DRAWING IS THE PROPERTY OF THE U.S. GOVERNMENT AND IS LOANED TO YOUR ORGANIZATION. IT AND ITS CONTENTS ARE NOT TO BE DISTRIBUTED OR REPRODUCED IN ANY MANNER WITHOUT THE EXPRESS WRITTEN PERMISSION OF THE U.S. GOVERNMENT.

METRIC	
DO NOT SCALE DRAWING	
UNLESS OTHERWISE SPECIFIED DIMENSIONS ARE IN MILLIMETERS	
TOLERANCES ON ANGLES & PLACES DIMENSIONS:	
THIRD ANGLE PROJECTION	
REV	DESCRIPTION
1	ISSUED BY
2	DATE
3	BY
4	DATE
5	BY
6	DATE
7	BY
8	DATE
9	BY
10	DATE

TVS FAMILY OF MEDIUM TACTICAL VEHICLES			
ELECTRICAL SCHEMATIC, A1R WTEC III LSAC			
REV	DATE	BY	APP'D
1	08/01/08	OSBORN	OSBORN
2	08/01/08	OSBORN	OSBORN
3	08/01/08	OSBORN	OSBORN
4	08/01/08	OSBORN	OSBORN
5	08/01/08	OSBORN	OSBORN
6	08/01/08	OSBORN	OSBORN
7	08/01/08	OSBORN	OSBORN
8	08/01/08	OSBORN	OSBORN
9	08/01/08	OSBORN	OSBORN
10	08/01/08	OSBORN	OSBORN

APC30423

REVISIONS		DATE	BY	APP'D
1	INITIAL RELEASE - PRODUCT BASELINE ECD10374	2008-09-02	A. OSBORN	



- TL56 | CAB GROUND
- J78A, P78B, HARNESS, JUMPER 10 TON DUMP ONLY 10/289
- 277 AUXILIARY POWER
- TL538 TO TL 92 (GND) 10 TON DUMP ONLY
- J64A, P64B, HARNESS, JUMPER 10 TON DUMP ONLY 10/280
- 278 MARKER LAMPS
- 279 REAR LIGHT SERVICE (FRONT)
- 280 SIDE MARKER LIGHT (LT)
- J74A, P74B, HARNESS, JUMPER 10 TON DUMP ONLY 8/202
- 281 SIDE MARKER LIGHT (RH) DS33
- LWB ONLY
- J67A, P67B, HARNESS, JUMPER 10 TON DUMP ONLY 8/206
- 282 SIDE MARKER LIGHT (LH) DS40
- LWB ONLY
- 283 LEFT REAR SIDE (R) DS66
- E16 REAR LIGHTS NOT TRACTOR OR WRECKER
- E51 REAR LIGHTS WRECKER
- 284 LEFT REAR/REAR (R) DS66
- 285 RIGHT REAR SIDE (R) DS67
- E17 REAR LIGHTS NOT TRACTOR OR WRECKER
- E44 REAR LIGHTS TRACTOR,
- E52 REAR LIGHTS WRECKER
- 286 RIGHT REAR/REAR (R) DS68
- 287 LEFT HAND REAR CENTER DS69
- E50, E49, E58 WRECKER
- REAR (D) MIDDLE (R) DS70
- E15, E21, REAR LIGHTS NOT TRACTOR OR WRECKER
- E27, E28, E41, REAR LIGHTS TRACTOR
- E64, REAR LIGHTS MIV LWB, MHE
- P78, P64 TO HARNESS, JUMPER 10 TON DUMP ONLY 10/277
- 289 RIGHT HAND REAR CENTER DS71
- TL92, WRECKER ONLY
- REAR COMPOSITE REAR LEFT DS72
- E20 REAR LIGHTS NOT TRACTOR OR WRECKER
- E56, E48, REAR LIGHTS WRECKER
- E58, E49, REAR LIGHTS TRACTOR
- REAR COMPOSITE REAR RIGHT DS73
- E72, MIV LWB, MHE
- E42 REAR LIGHTS TRACTOR
- CIRCUIT BREAKER CB80/25
- REAR LAMPS
- P52M-1 TRACTOR ONLY
- 293 MARKER LAMPS
- 294 MARKER LAMPS, P52M-3 TRACTOR ONLY
- FROM CB80 9/264
- P601, GND, HARNESS JUMPER, 10 TON DUMP ONLY
- P601, MARKER & TAIL LIGHT, HARNESS, JUMPER, 10 TON DUMP ONLY
- P601, LEFT TURN & STOP, 10 TON DUMP ONLY
- P601, RIGHT TURN & STOP, 10 TON DUMP ONLY
- FROM CB67 9/266
- [] SPlice E34 WORK LIGHTS TRACTOR
- 295 PORTABLE WORK LIGHT RIGHT HAND DS102
- P134, WRECKER AND TRACTOR
- P134A, WRECKER AND TRACTOR
- E59 REAR LIGHTS WRECKER
- CIRCUIT BREAKER CB72/15
- PORTABLE WORK LIGHT RIGHT HAND DS103
- E33 REAR LIGHTS TRACTOR
- E53, E54, E55 REAR LIGHTS WRECKER
- WORKLIGHT RELAY - K12
- 297 PORTABLE WORK LIGHT LEFT HAND DS104
- P133, WRECKER AND TRACTOR
- E58 REAR LIGHTS WRECKER
- PORTABLE WORK LIGHT LEFT HAND DS105
- P133A WRECKER AND TRACTOR
- CIRCUIT BREAKER CB72/15
- TRACTOR ONLY
- PORTABLE WORKLIGHT ASSY (RH) MHE DS106
- BLACKOUT OVERRIDE SWITCH- S5/8
- SPlice E69 POWER CONTROL MHE
- 300 PORTABLE WORKLIGHT ASSY (LH) MHE DS107
- TO DIODE D9 (18/7116)
- 301 WORKLIGHT SWITCH - S5/5
- TO DIODE D2 (18/7117)
- 302 SHEET 8/220 K9-87
- DIODE D2, D9 (18/707)
- 303
- 304 CHEMICAL ALARM "M42" (G.F.E.)
- 305 CHEMICAL DETECTOR "M43" (G.F.E.)
- TO CHEMICAL DETECT INDICATOR 13/476
- 306 CIRCUIT BREAKER CB30/10A
- 307
- 308
- 309
- 310
- 311

LIMITED RIGHTS STATEMENT:

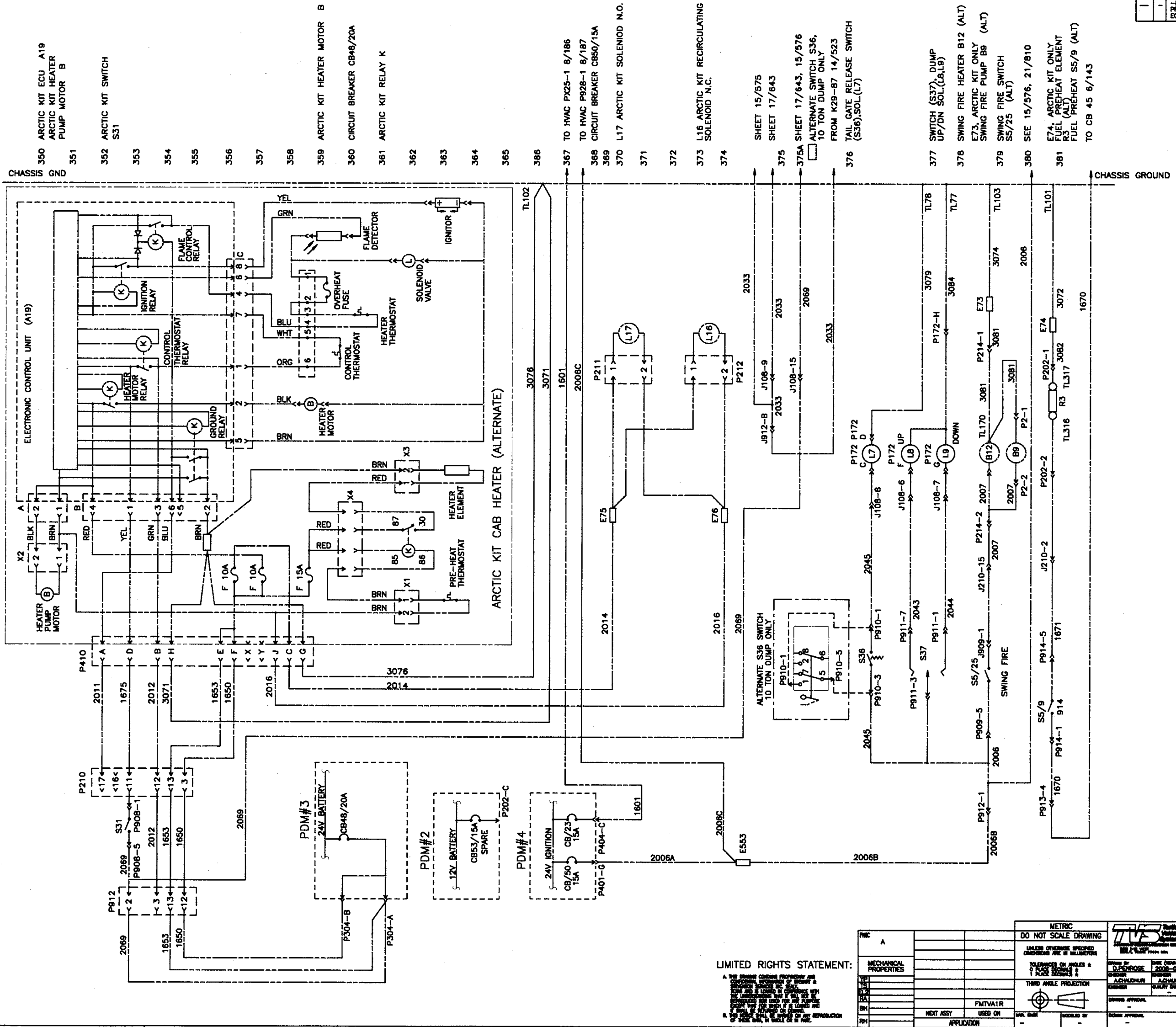
A. THE INFORMATION CONTAINED HEREIN IS UNCLASSIFIED EXCEPT WHERE SHOWN OTHERWISE BY A CONTROLLED DATA SYMBOL AND IS RELEASED ON THE BASIS OF E.O. 13526, WHICH AUTHORIZES THE RELEASE OF INFORMATION CONTAINED HEREIN ON THE CONDITION THAT THE RECIPIENT ACCEPTS AND AGREES TO HOLD THIS INFORMATION IN CONFIDENCE AND TO PROTECT IT AS CONTROLLED INFORMATION.

REV	DESCRIPTION	DATE
1	INITIAL RELEASE - PRODUCT BASELINE ECD10374	2008-09-02

DESIGNED BY	D. PENROSE	DATE	2008-09-02
CHECKED BY	A. OSBORN	DATE	2008-09-02
APPROVED BY		DATE	

TVS FAMILY OF MEDIUM TACTICAL VEHICLES	
ELECTRICAL SCHEMATIC, A1R WTEC III LSAC	
SIZE	OFW39
SCALE	NONE
UNIT	US
DATE	2008-09-02

REVISIONS		DATE (YEAR-MO-DA)	APPROVED
1	INITIAL RELEASE - PRODUCT BASELINE	2008-09-02	A. GIBSON
2	ECO10374		



- 350 ARCTIC KIT ECU A19
- 351 ARCTIC KIT HEATER PUMP MOTOR B
- 352 ARCTIC KIT SWITCH S31
- 353
- 354
- 355
- 356
- 357
- 358
- 359 ARCTIC KIT HEATER MOTOR B
- 360 CIRCUIT BREAKER CB48/20A
- 361 ARCTIC KIT RELAY K
- 362
- 363
- 364
- 365

- 366 TO HVAC PX25-1 8/186
- 367 TO HVAC P928-1 8/187
- 368 CIRCUIT BREAKER CB50/15A
- 369
- 370 L17 ARCTIC KIT SOLENOID N.O.
- 371
- 372
- 373 L16 ARCTIC KIT RECIRCULATING SOLENOID N.C.
- 374

- 375 SHEET 15/575
- SHEET 17/643
- 375A SHEET 17/643, 15/576
- ALTERNATE SWITCH S36, TO TON DUMP ONLY
- FROM K29-87 14/523
- 376 TAIL GATE RELEASE SWITCH (S36)SOL(L7)

- 377 SWITCH (S37), DUMP UP/DN SOL(L8,L9)
- 378 SWING FIRE HEATER B12 (ALT)
- E73 ARCTIC KIT ONLY
- SWING FIRE PUMP B8 (ALT)
- 379 SWING FIRE SWITCH S5/25 (ALT)
- 380 SEE 15/576, 21/810
- 381 E74, ARCTIC KIT ONLY
- FUEL PREHEAT ELEMENT (ALT)
- FUEL PREHEAT S5/9 (ALT)
- TO CB 45 6/143

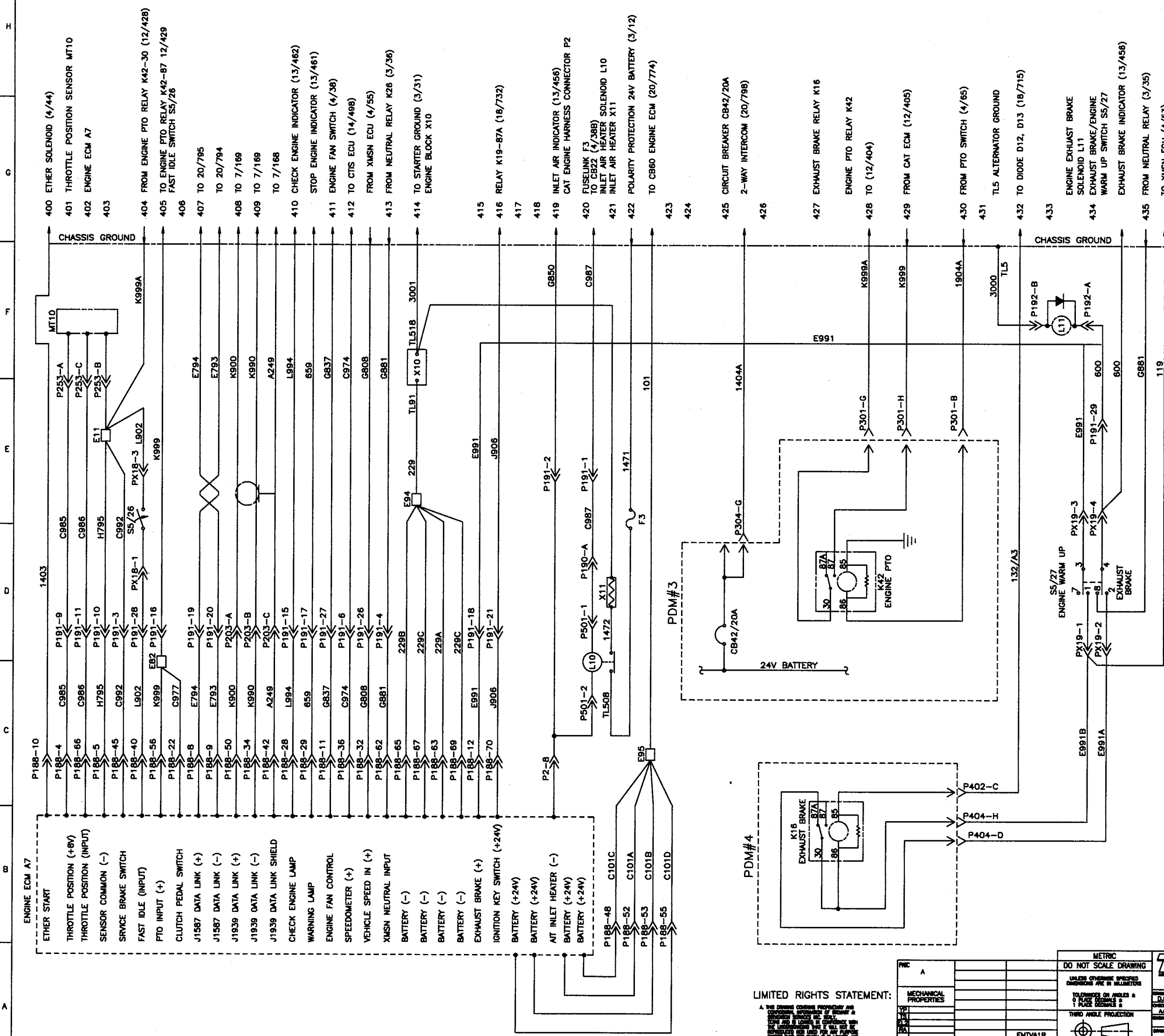
LIMITED RIGHTS STATEMENT:
 A. THE DESIGN ORIGINATOR HAS THE RIGHT TO REPRODUCE THIS DRAWING IN WHOLE OR IN PART FOR THE ORIGINAL PURPOSE AND TO MAKE SUCH REPRODUCTION AS NECESSARY TO SUPPORT THE ORIGINAL PURPOSE.
 B. THIS DRAWING IS THE PROPERTY OF THE DESIGN ORIGINATOR AND IS NOT TO BE REPRODUCED, COPIED, OR TRANSMITTED IN ANY FORM OR BY ANY MEANS, ELECTRONIC OR MECHANICAL, INCLUDING PHOTOCOPYING, RECORDING, OR BY ANY INFORMATION STORAGE AND RETRIEVAL SYSTEM, WITHOUT THE WRITTEN PERMISSION OF THE DESIGN ORIGINATOR.

REV	A	DATE	
BY		DATE	
CHKD		DATE	
APP'D		DATE	
REV		DATE	
BY		DATE	
CHKD		DATE	
APP'D		DATE	

DO NOT SCALE DRAWING
 UNLESS OTHERWISE SPECIFIED DIMENSIONS ARE IN MILLIMETERS
 TOLERANCES ON ANGLES & RADIUS DIMENSIONS ARE:
 ANGLES: ±0.5°
 RADIUS: ±0.1mm
 THIRD ANGLE PROJECTION

TVS FAMILY OF MEDIUM TACTICAL VEHICLES	
ELECTRICAL SCHEMATIC, A1R WTEC III LSAC	
REV	ONE CODE ONE VLT
E	OFW39 APC30423
DATE	NONE
SHEET	11

REVISIONS			
ZONE	REV	DESCRIPTION	DATE (YY-MM-DD)
-	1	INITIAL RELEASE - PRODUCT BASELINE ECU10374	2008-08-01
-	2		
-	3		



ENGINE ECM A7

ETHER START

THROTTLE POSITION (+8V)

THROTTLE POSITION (INPUT)

SENSOR COMMON (-)

SERVICE BRAKE SWITCH

FAST IDLE (INPUT)

PTO INPUT (+)

CLUTCH PEDAL SWITCH

J1587 DATA LINK (+)

J1587 DATA LINK (-)

J1939 DATA LINK (+)

J1939 DATA LINK (-)

J1939 DATA LINK SHIELD

CHECK ENGINE LAMP

WARNING LAMP

ENGINE FAN CONTROL

SPEEDOMETER (+)

VEHICLE SPEED IN (+)

XMSN NEUTRAL INPUT

BATTERY (-)

BATTERY (-)

BATTERY (-)

BATTERY (-)

EXHAUST BRAKE (+)

IGNITION KEY SWITCH (+24V)

BATTERY (+24V)

BATTERY (+24V)

AIR INLET HEATER (-)

BATTERY (+24V)

BATTERY (+24V)

P188-48 C101C

P188-52 C101A

P188-53 C101B

P188-55 C101D

400 ETHER SOLENOID (4/44)

401 THROTTLE POSITION SENSOR MT10

402 ENGINE ECM A7

403

404 FROM ENGINE PTO RELAY K42-30 (12/428)

405 TO ENGINE PTO RELAY K42-87 12/429

406 FAST IDLE SWITCH SS/26

407 TO 20/795

408 TO 20/794

409 TO 7/169

410 TO 7/169

411 TO 7/168

410 CHECK ENGINE INDICATOR (13/462)

STOP ENGINE INDICATOR (13/461)

411 ENGINE FAN SWITCH (4/38)

412 TO CTIS ECU (14/488)

FROM XMSN ECU (4/55)

413 FROM NEUTRAL RELAY K26 (3/36)

414 TO STARTER GROUND (3/31)

ENGINE BLOCK X10

415

416 RELAY K19-87A (18/732)

417

418

419 INLET AIR INDICATOR (13/456)

CAT ENGINE HARNESS CONNECTOR P2

420 FUSELINK F3

TO CB22 (4/388)

421 INLET AIR HEATER SOLENOID L10

INLET AIR HEATER X11

422 POLARITY PROTECTION 24V BATTERY (3/12)

TO CB60 ENGINE ECM (20/774)

423

424

425 CIRCUIT BREAKER CB42/20A

2-WAY INTERCOM (20/798)

426

427 EXHAUST BRAKE RELAY K16

ENGINE PTO RELAY K42

428 TO (12/404)

429 FROM CAT ECM (12/405)

430 FROM PTO SWITCH (4/65)

431

432 TO DIODE D12, D13 (18/715)

433

434

435 FROM NEUTRAL RELAY (3/35)

TO XMSN ECU (4/53)

LIMITED RIGHTS STATEMENT:

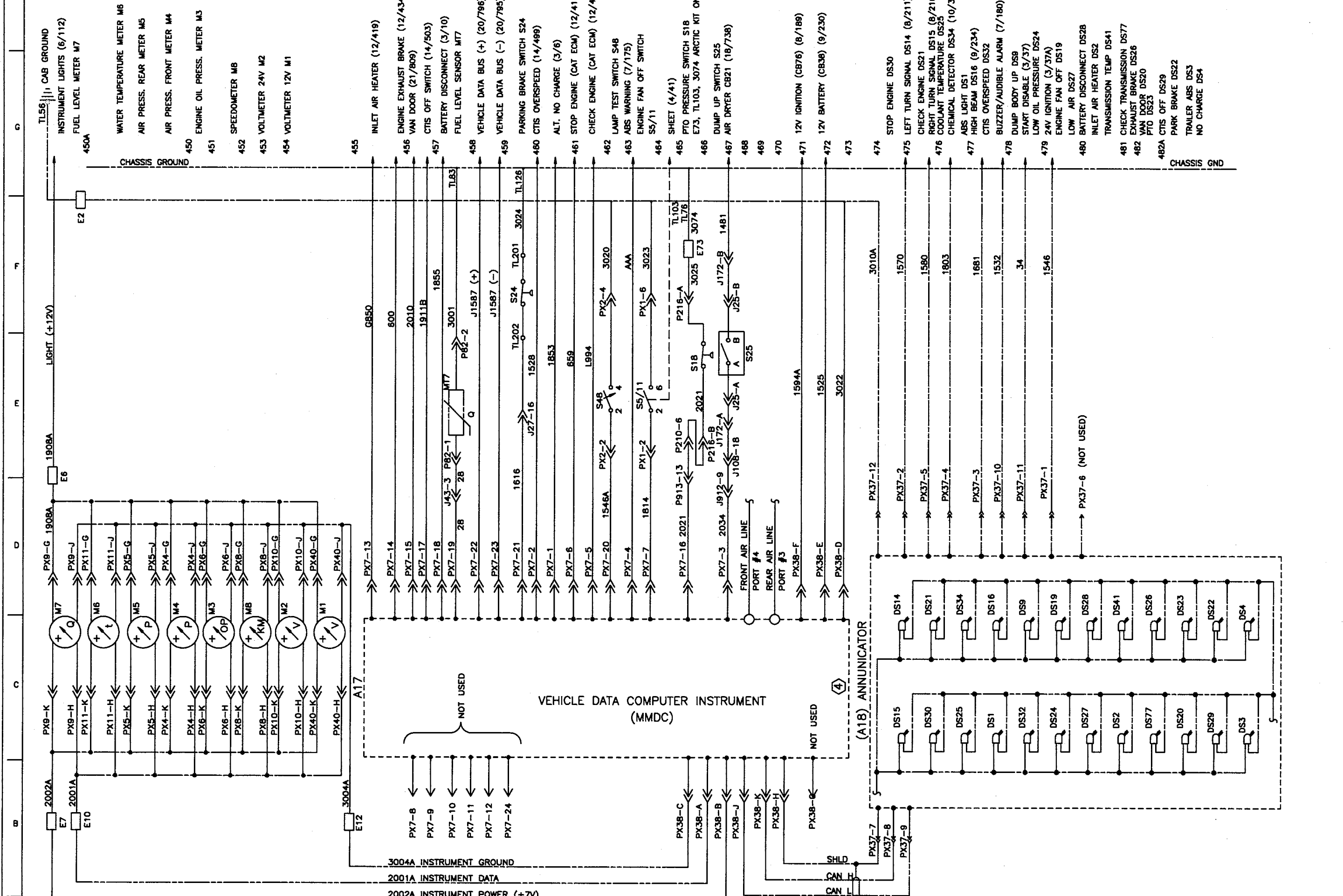
A. THIS DRAWING IS THE PROPERTY OF TVS. IT IS TO BE USED FOR THE MANUFACTURE OF THE PRODUCT SPECIFIED HEREIN AND IS NOT TO BE REPRODUCED OR TRANSMITTED IN ANY FORM OR BY ANY MEANS, ELECTRONIC OR MECHANICAL, INCLUDING PHOTOCOPYING, RECORDING, OR BY ANY INFORMATION STORAGE AND RETRIEVAL SYSTEM, WITHOUT THE WRITTEN PERMISSION OF TVS. ANY UNAUTHORIZED REPRODUCTION OR TRANSMISSION OF THIS DRAWING IS STRICTLY PROHIBITED AND WILL BE PROSECUTED TO THE FULL EXTENT OF THE LAW.

REV	DESCRIPTION	DATE
1	INITIAL RELEASE	2008-08-01
2		
3		

TVS FAMILY OF MEDIUM TACTICAL VEHICLES	
ELECTRICAL SCHEMATIC, A1R WTEC III LSAC	
DATE	2008-08-01
SCALE	NONE
APP. NO.	12

OFW39 APC30423

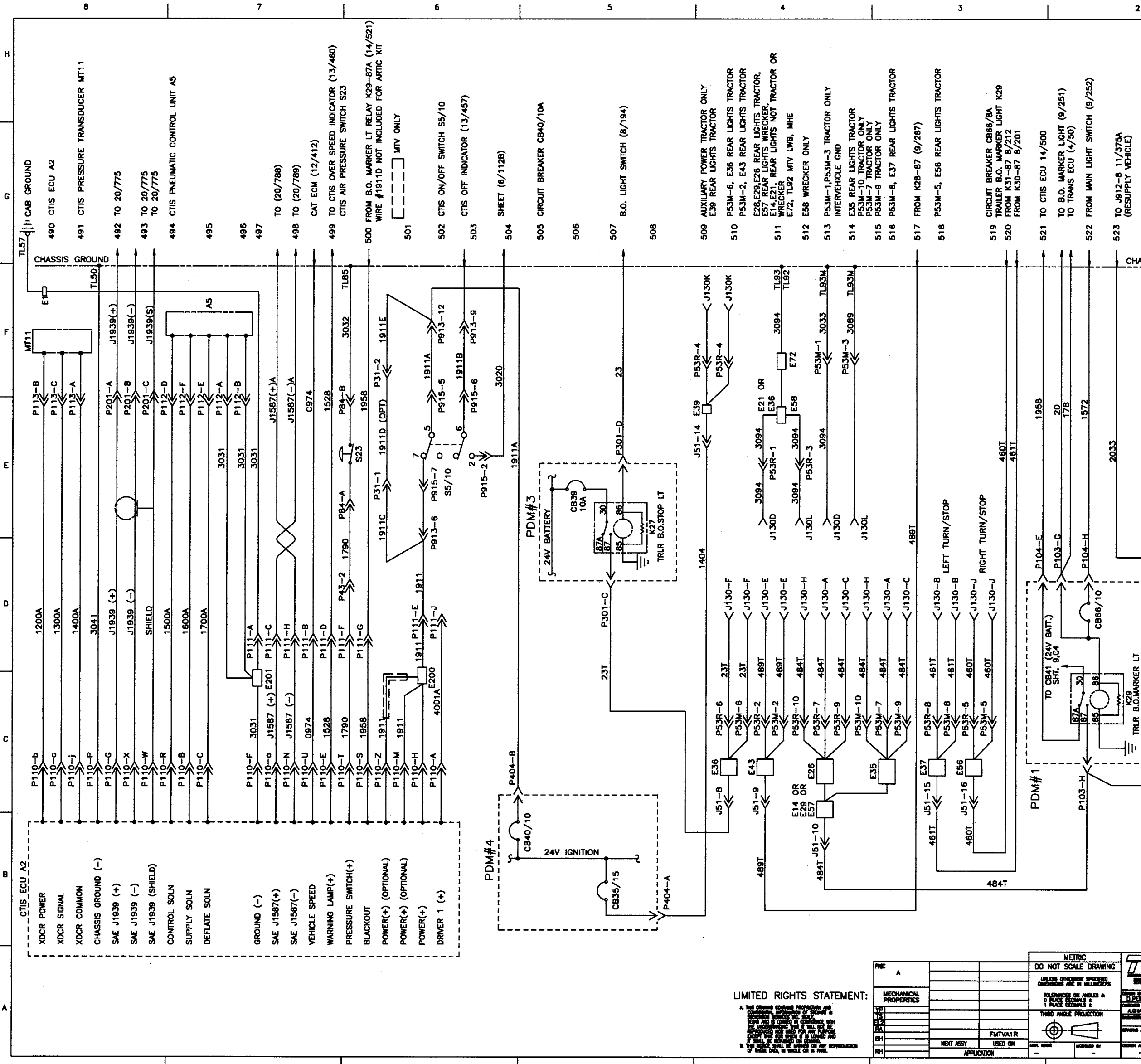
REVISIONS		
ZONE REV	DESCRIPTION	DATE (YY-MM-DD)
-	INITIAL RELEASE PRODUCT BASELINE ECO10374	2008-09-02
A	CHANGES	07/12



- 450 WATER TEMPERATURE METER M6
- 451 AIR PRESS. REAR METER M5
- 452 AIR PRESS. FRONT METER M4
- 453 ENGINE OIL PRESS. METER M3
- 454 SPEEDOMETER M8
- 455 VOLT METER 24V M2
- 456 VOLT METER 12V M1
- 457 INLET AIR HEATER (12/419)
- 458 ENGINE EXHAUST BRAKE (12/434)
- 459 VAN DOOR (21/809)
- 460 CTIS OFF SWITCH (14/503)
- 461 BATTERY DISCONNECT (3/10)
- 462 FUEL LEVEL SENSOR M7
- 463 VEHICLE DATA BUS (+) (20/796)
- 464 VEHICLE DATA BUS (-) (20/795)
- 465 PARKING BRAKE SWITCH S24
- 466 CTIS OVERSPEED (14/499)
- 467 ALT. NO CHARGE (3/6)
- 468 STOP ENGINE (CAT ECM) (12/411)
- 469 CHECK ENGINE (CAT ECM) (12/410)
- 470 LAMP TEST SWITCH S48
- 471 ABS WARNING (7/175)
- 472 ENGINE FAN OFF SWITCH S5/11
- 473 SHEET (4/41)
- 474 PTO PRESSURE SWITCH S18
- 475 E73, TL103, 3074 ARCTIC KIT ONLY
- 476 DUMP UP SWITCH S25
- 477 AIR DRYER CB21 (19/738)
- 478 12V IGNITION (CB76) (8/189)
- 479 12V BATTERY (CB36) (9/230)
- 480 STOP ENGINE DS30
- 481 LEFT TURN SIGNAL DS14 (8/211)
- 482 CHECK ENGINE DS21
- 483 RIGHT TURN SIGNAL DS15 (8/216)
- 484 COOLANT TEMPERATURE DS25
- 485 CHEMICAL DETECTOR DS34 (10/305)
- 486 ABS LIGHT DS1
- 487 HIGH BEAM DS16 (9/234)
- 488 CTIS OVERSPEED DS32
- 489 BUZZER/AUDIBLE ALARM (7/180)
- 490 DUMP BODY UP DS9
- 491 START DISABLE (3/37)
- 492 LOW OIL PRESSURE DS24
- 493 24V IGNITION (3/37A)
- 494 ENGINE FAN OFF DS19
- 495 LOW AIR DS27
- 496 BATTERY DISCONNECT DS28
- 497 INLET AIR HEATER DS41
- 498 TRANSMISSION TEMP DS41
- 499 CHECK TRANSMISSION DS77
- 500 EXHAUST BRAKE DS26
- 501 VAN DOOR DS23
- 502 PTO DS23
- 503 CTIS OFF DS29
- 504 PARK BRAKE DS22
- 505 TRAILER ABS DS3
- 506 NO CHARGE DS4

LIMITED RIGHTS STATEMENT:
 A. THIS DRAWING IS THE PROPERTY OF THE U.S. GOVERNMENT AND IS TO BE USED ONLY FOR THE SPECIFIC PURPOSE AND FOR WHICH IT WAS PREPARED. IT IS TO BE RETURNED TO THE U.S. GOVERNMENT UPON REQUEST. IT IS NOT TO BE REPRODUCED OR TRANSMITTED IN ANY FORM OR BY ANY MEANS, ELECTRONIC OR MECHANICAL, INCLUDING PHOTOCOPYING, RECORDING, OR BY ANY INFORMATION STORAGE AND RETRIEVAL SYSTEM, WITHOUT PERMISSION IN WRITING FROM THE U.S. GOVERNMENT.

<p>TVS</p> <p>TVS FAMILY OF MEDIUM TACTICAL VEHICLES</p> <p>ELECTRICAL SCHEMATIC, A1R WTEC III LSAC</p> <p>DATE CODE: OFW39</p> <p>REV NO: APC30423</p>		<p>SCALE: NONE</p> <p>DATE: 2008-09-02</p> <p>BY: [Signature]</p> <p>CHKD: [Signature]</p> <p>APP'D: [Signature]</p>
<p>REV</p> <p>DATE</p> <p>BY</p> <p>CHKD</p> <p>APP'D</p>	<p>DESCRIPTION</p> <p>DATE</p> <p>BY</p> <p>CHKD</p> <p>APP'D</p>	<p>DATE</p> <p>BY</p> <p>CHKD</p> <p>APP'D</p>



ZONE	REV	DESCRIPTION	DATE/REV-NO	APPVED
1	1	INITIAL RELEASE - PRODUCT BASELINE ECU010374	2000-09-08	A. NARRAM
				R.P.J.E

- 490 CTIS ECU A2
- 491 CTIS PRESSURE TRANSDUCER MT11
- 492 TO 20/775
- 493 TO 20/775 TO 20/775
- 494 CTIS PNEUMATIC CONTROL UNIT A5
- 495
- 496
- 497 TO (20/786)
- 498 TO (20/789)
- CAT ECM (12/412)
- 499 TO CTIS OVER SPEED INDICATOR (13/460) CTIS AIR PRESSURE SWITCH S23
- 500 FROM B.O. MARKER LT RELAY K29-B7A (14/521) WIRE #1911D NOT INCLUDED FOR ARTIC KIT
- 501 [---] MTV ONLY
- 502 CTIS ON/OFF SWITCH S5/10
- 503 CTIS OFF INDICATOR (13/457)
- 504 SHEET (8/1128)
- 505 CIRCUIT BREAKER CB40/10A
- 506
- 507 B.O. LIGHT SWITCH (8/194)
- 508

- 509 AUXILIARY POWER TRACTOR ONLY E38 REAR LIGHTS TRACTOR
- 510 P53M-6, E36 REAR LIGHTS TRACTOR P53M-2, E43 REAR LIGHTS TRACTOR E28,E29,E26 REAR LIGHTS TRACTOR, E14,E21, REAR LIGHTS NOT TRACTOR OR WRECKER E72, TL92 MTV LWB, MHE
- 512 E58 WRECKER ONLY
- 513 P53M-1,P53M-3 TRACTOR ONLY INTERVEHICLE GND
- 514 E35 REAR LIGHTS TRACTOR P53M-10 TRACTOR ONLY P53M-7 TRACTOR ONLY
- 515 P53M-9 TRACTOR ONLY
- 516 P53M-8, E37 REAR LIGHTS TRACTOR
- 517 FROM K28-87 (9/267)
- 518 P53M-5, E56 REAR LIGHTS TRACTOR
- 519 CIRCUIT BREAKER CB66/8A TRAILER B.O. MARKER LIGHT K29 FROM K31-87 B/212 FROM K30-87 B/201
- 521 TO CTIS ECU 14/500 TO B.O. MARKER LIGHT (9/251) TO TRANS ECU (4/50)
- 522 FROM MAIN LIGHT SWITCH (9/252)
- 523 TO J912-8 11/375A (RESUPPLY VEHICLE)

- CTIS_ECU_A2
- XDCR POWER
- XDCR SIGNAL
- XDCR COMMON
- CHASSIS GROUND (-)
- SAE J1939 (+)
- SAE J1939 (-)
- SAE J1939 (SHIELD)
- CONTROL SOLN
- SUPPLY SOLN
- DEFLATE SOLN
- GROUND (-)
- SAE J1587(+)
- SAE J1587(-)
- VEHICLE SPEED
- WARNING LAMP(+)
- PRESSURE SWITCH(+)
- BLACKOUT
- POWER(+) (OPTIONAL)
- POWER(+) (OPTIONAL)
- POWER(+) (OPTIONAL)
- DRIVER 1 (+)

LIMITED RIGHTS STATEMENT:
 A. THIS DRAWING CONTAINS PROPRIETARY AND UNCLASSIFIED INFORMATION THAT IS THE PROPERTY OF THE UNITED STATES GOVERNMENT AND IS LOANED TO YOUR AGENCY/ORGANIZATION FOR YOUR OFFICIAL USE ONLY. IT IS TO BE REPRODUCED AND TRANSMITTED IN ANY FORM OR BY ANY MEANS, WITHOUT PERMISSION, IS STRICTLY PROHIBITED.

REV	DATE	DESCRIPTION	BY	CHKD
1	2000-09-08	INITIAL RELEASE	R.P.J.E	A. NARRAM

REV	DATE	DESCRIPTION	BY	CHKD
1	2000-09-08	INITIAL RELEASE	R.P.J.E	A. NARRAM

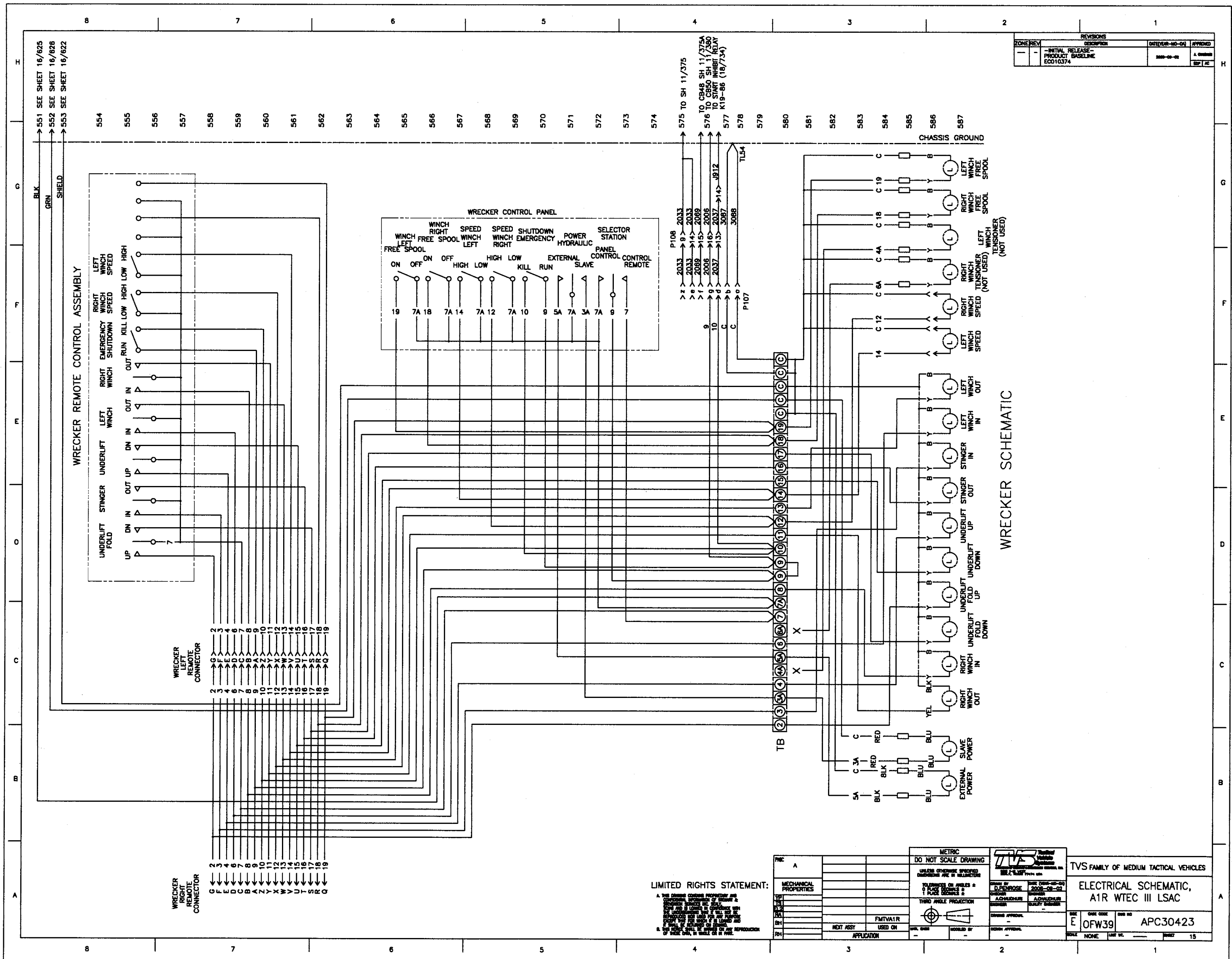
ZONE	REV	DESCRIPTION	DATE/REV-NO	APPVED
1	1	INITIAL RELEASE - PRODUCT BASELINE ECU010374	2000-09-08	A. NARRAM
				R.P.J.E

REV	DATE	DESCRIPTION	BY	CHKD
1	2000-09-08	INITIAL RELEASE	R.P.J.E	A. NARRAM

REV	DATE	DESCRIPTION	BY	CHKD
1	2000-09-08	INITIAL RELEASE	R.P.J.E	A. NARRAM

TVS FAMILY OF MEDIUM TACTICAL VEHICLES
 ELECTRICAL SCHEMATIC,
 A1R WTEC III LSAC

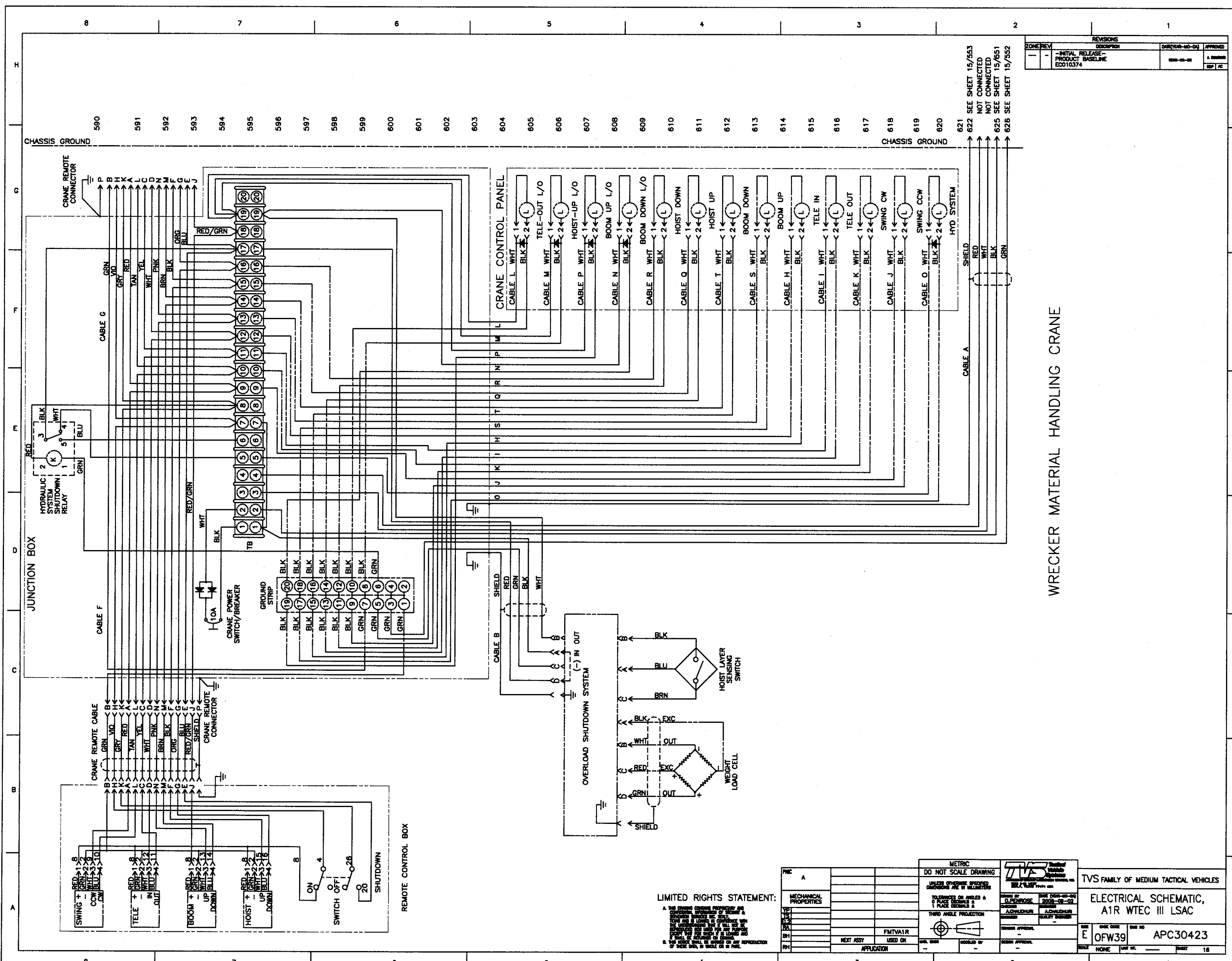
SIZE: E
 DRAWING NO: OFW39
 PART NO: APC30423



REVISIONS		DATE (YEAR-MO-DA)	APPROVED
1	INITIAL RELEASE - PRODUCT BASELINE ECD10374	2008-09-02	A. GIBSON

LIMITED RIGHTS STATEMENT:
 A. THE DESIGN ORIGINATOR HEREBY GRANTS TO THE USER THE RIGHT TO REPRODUCE THIS DRAWING FOR THE USER'S OWN USE ONLY AND TO REPRODUCE THIS DRAWING FOR THE USER'S OWN USE ONLY. NO OTHER RIGHTS ARE GRANTED. THIS DRAWING IS THE PROPERTY OF THE DESIGN ORIGINATOR AND IS TO BE KEPT IN CONFIDENCE. IT IS TO BE DESTROYED OR REPRODUCED ONLY AS AUTHORIZED BY THE DESIGN ORIGINATOR. THIS DRAWING IS NOT TO BE REPRODUCED OR TRANSMITTED IN ANY FORM OR BY ANY MEANS, ELECTRONIC OR MECHANICAL, INCLUDING PHOTOCOPYING, RECORDING, OR BY ANY INFORMATION STORAGE AND RETRIEVAL SYSTEM, WITHOUT THE WRITTEN PERMISSION OF THE DESIGN ORIGINATOR.

PART		METRIC		TVS	
A		DO NOT SCALE DRAWING		TVS FAMILY OF MEDIUM TACTICAL VEHICLES	
MECHANICAL PROPERTIES		UNLESS OTHERWISE SPECIFIED DIMENSIONS ARE IN MILLIMETERS		ELECTRICAL SCHEMATIC, A1R WTEC III LSAC	
TOLERANCES UNLESS OTHERWISE SPECIFIED		THIRD ANGLE PROJECTION		REV. ONE CODE ONE NO. APC30423	
NEXT ASST. USED ON		APPLICATOR		SCALE NONE UNIT MET SHEET 15	



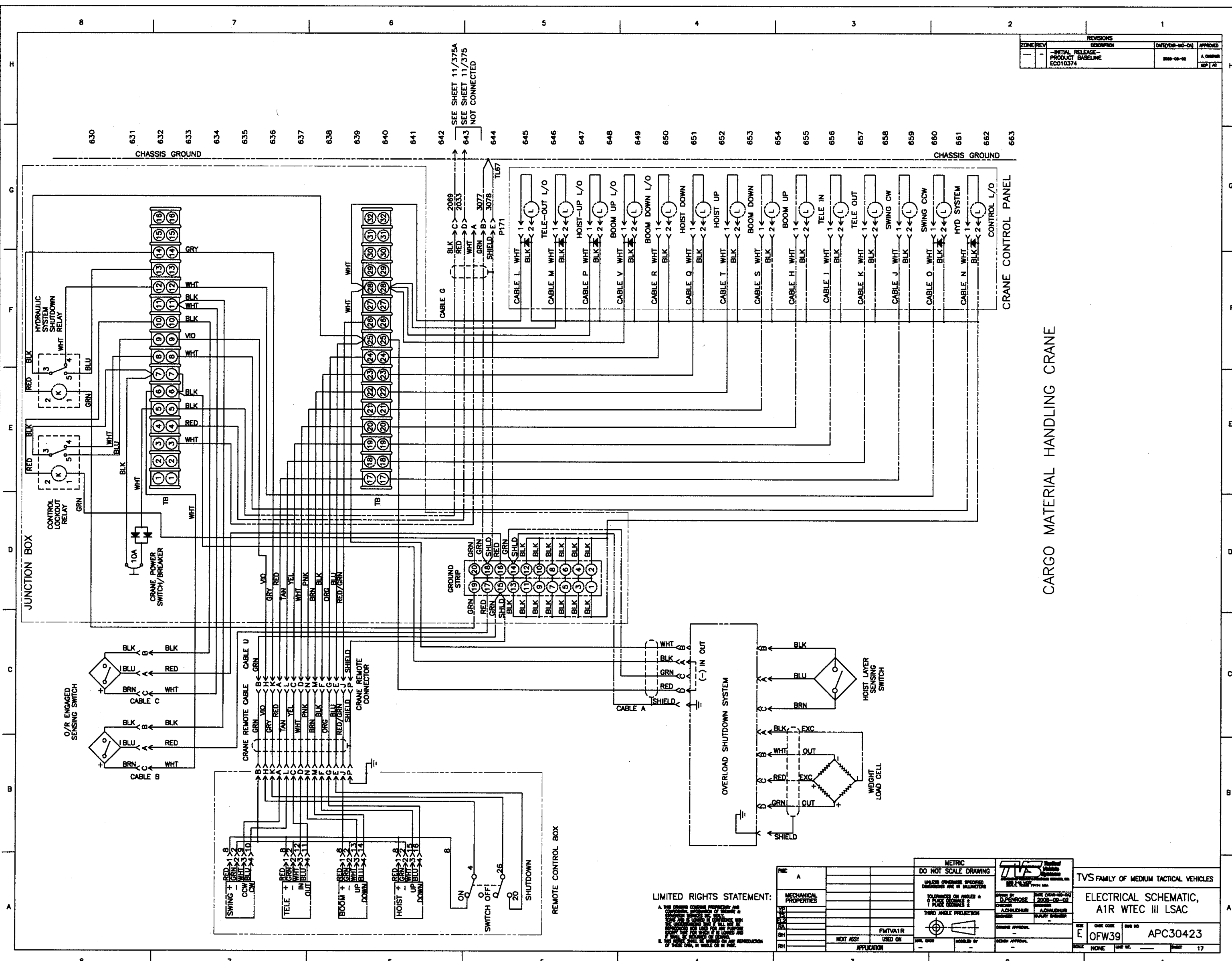
REVISIONS			
ZONE REV	DESCRIPTION	DATE (YY-MM-DD)	APPROVED
1	INITIAL RELEASE - PRODUCT BASELINE ECD10374	2008-09-01	A. HANSEN EJP/AC

WRECKER MATERIAL HANDLING CRANE

LIMITED RIGHTS STATEMENT:
 A. THIS DRAWING IS THE PROPERTY OF TVS. IT IS TO BE USED ONLY FOR THE PURPOSES AND IN THE MANNER SPECIFIED HEREIN. IT IS NOT TO BE REPRODUCED, COPIED, OR TRANSMITTED IN ANY FORM OR BY ANY MEANS, ELECTRONIC OR MECHANICAL, INCLUDING PHOTOCOPYING, RECORDING, OR BY ANY INFORMATION STORAGE AND RETRIEVAL SYSTEM, WITHOUT THE WRITTEN PERMISSION OF TVS. ANY UNAUTHORIZED USE OF THIS DRAWING IS PROHIBITED AND WILL BE SUBJECT TO LEGAL ACTION.

PNC A MECHANICAL PROPERTIES TVS DATE: 2008-09-01 DRAWN BY: ACHAMUNUR CHECKED BY: ACHAMUNUR DESIGNED BY: ACHAMUNUR APPROVED BY: ACHAMUNUR	DO NOT SCALE DRAWING UNLESS OTHERWISE SPECIFIED DIMENSIONS ARE IN MILLIMETERS TOLERANCES ON ANGLES & PLACE DECIMALS & 2 THIRD ANGLE PROJECTION 	TVS FAMILY OF MEDIUM TACTICAL VEHICLES ELECTRICAL SCHEMATIC, A1R WTEC III LSAC
	PART NO: FMTVA1R NEXT ASSY: USED ON: APPLICATION:	METRIC UNLESS OTHERWISE SPECIFIED DIMENSIONS ARE IN MILLIMETERS TOLERANCES ON ANGLES & PLACE DECIMALS & 2 THIRD ANGLE PROJECTION

REVISIONS		DATE	BY	APPROVED
1	INITIAL RELEASE - PRODUCT BASELINE EDD10374	2008-09-02	A. CHAMBERLAIN	ESP/AC



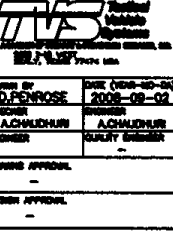
CARGO MATERIAL HANDLING CRANE

LIMITED RIGHTS STATEMENT:

A. THE CRANE CONTROL PROPERTIES ARE THE PROPERTY OF THE MANUFACTURER AND ARE NOT TO BE REPRODUCED OR TRANSMITTED IN ANY FORM OR BY ANY MEANS, ELECTRONIC OR MECHANICAL, INCLUDING PHOTOCOPYING, RECORDING, OR BY ANY INFORMATION STORAGE AND RETRIEVAL SYSTEM, WITHOUT THE WRITTEN PERMISSION OF THE MANUFACTURER.
 B. THE CRANE CONTROL PROPERTIES ARE THE PROPERTY OF THE MANUFACTURER AND ARE NOT TO BE REPRODUCED OR TRANSMITTED IN ANY FORM OR BY ANY MEANS, ELECTRONIC OR MECHANICAL, INCLUDING PHOTOCOPYING, RECORDING, OR BY ANY INFORMATION STORAGE AND RETRIEVAL SYSTEM, WITHOUT THE WRITTEN PERMISSION OF THE MANUFACTURER.

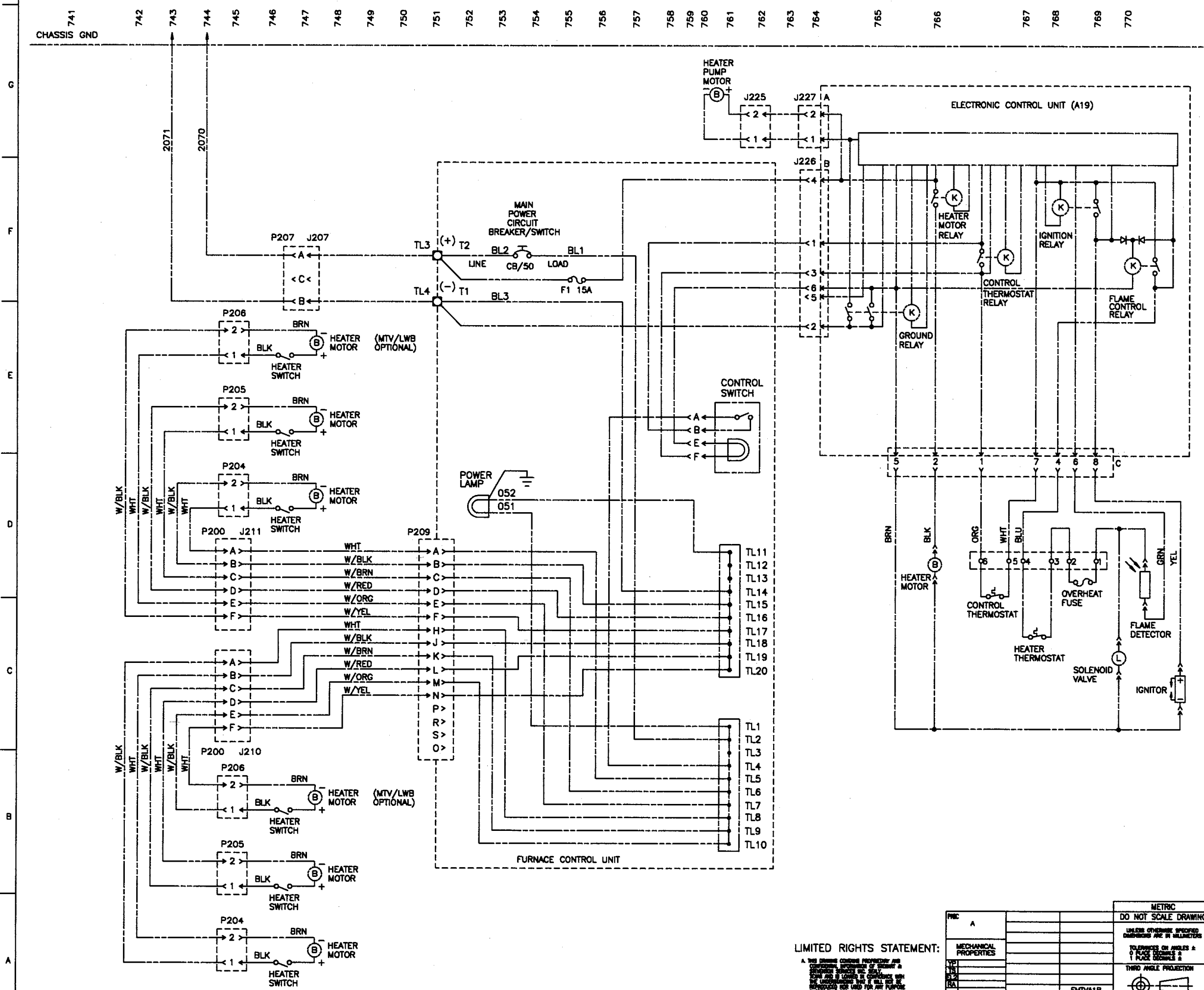
REV	DESCRIPTION
1	INITIAL RELEASE - PRODUCT BASELINE EDD10374

DATE	BY	APPROVED
2008-09-02	A. CHAMBERLAIN	ESP/AC



TVS FAMILY OF MEDIUM TACTICAL VEHICLES		
ELECTRICAL SCHEMATIC, A1R WTEC III LSAC		
REV	DATE	BY
E	07/39	APC30423

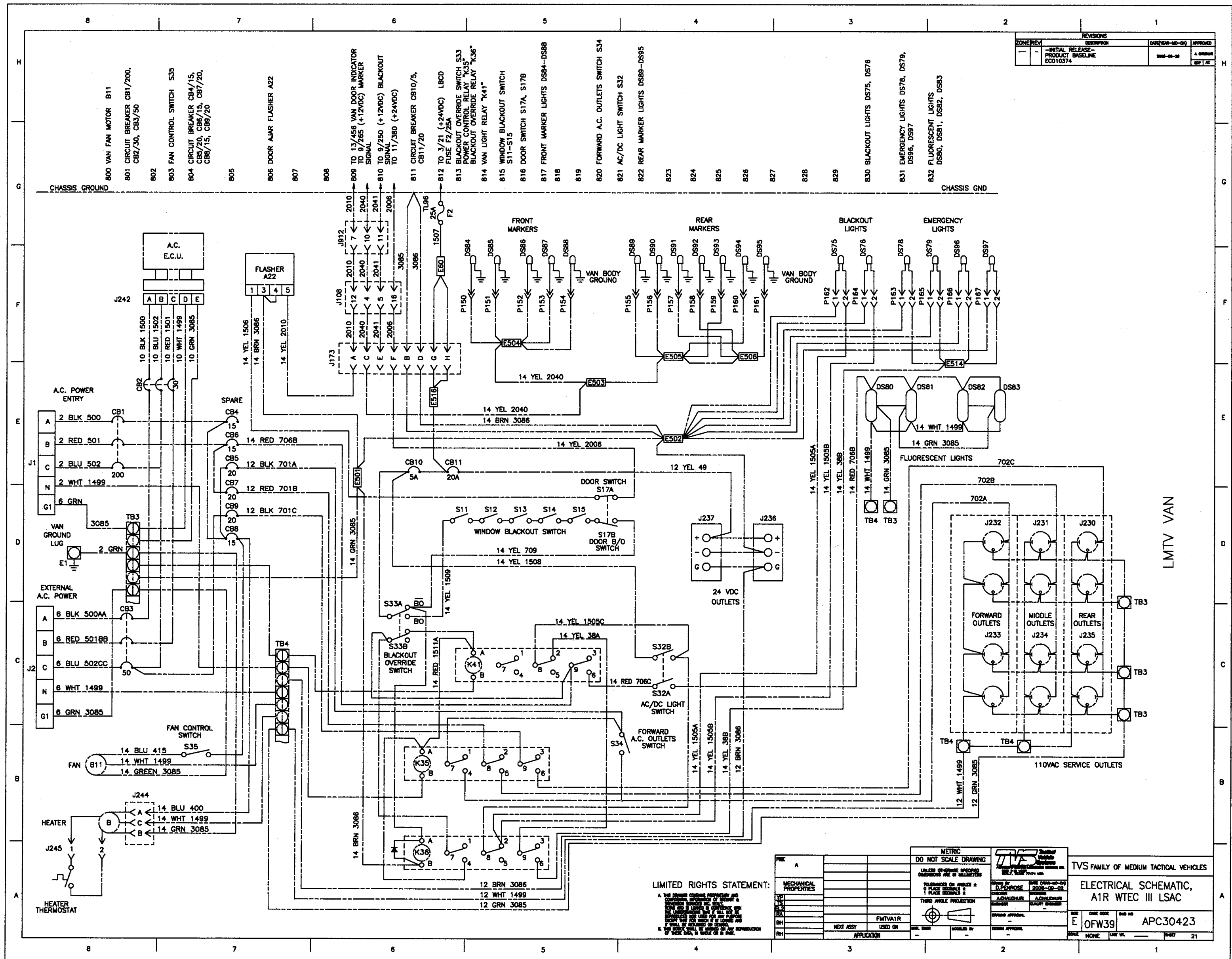
REVISIONS		DATE/REV-NO-01	APPROVED
ZONE/REV	DESCRIPTION		
-	- INITIAL RELEASE - PRODUCT BASELINE ECO10374	2008-08-01	A. DUBOIS



ARCTIC KIT TROOP HEATER (ALTERNATE)

LIMITED RIGHTS STATEMENT:
 A. THIS DRAWING CONTAINS PROPRIETARY AND CONFIDENTIAL INFORMATION OF THE U.S. GOVERNMENT AND IS THE PROPERTY OF THE U.S. GOVERNMENT. IT IS TO BE USED ONLY FOR THE PURPOSES SPECIFIED HEREIN AND IS NOT TO BE REPRODUCED OR TRANSMITTED IN ANY FORM OR BY ANY MEANS, ELECTRONIC OR MECHANICAL, INCLUDING PHOTOCOPYING, RECORDING, OR BY ANY INFORMATION STORAGE AND RETRIEVAL SYSTEM, WITHOUT PERMISSION IN WRITING FROM THE U.S. GOVERNMENT.
 B. THIS DRAWING SHALL BE RELEASED BY THE REPRODUCTION OF THIS DATA, IN WHOLE OR IN PART.

METRIC DO NOT SCALE DRAWING UNLESS OTHERWISE SPECIFIED DIMENSIONS ARE IN MILLIMETERS TOLERANCES ON DIMENSIONS: 1 PLACE DIMENSIONS ± 0.25 2 PLACE DIMENSIONS ± 0.13			
TVS FAMILY OF MEDIUM TACTICAL VEHICLES ELECTRICAL SCHEMATIC, A1R WTEC III LSAC		PART NO. APC30423 REV. NO. 01	
PREPARED BY: D. FENROSE CHECKED BY: A. DUBOIS DATE: 2008-08-01	DRAWN BY: J. B. BROWN DATE: 2008-08-01	SCALE: NONE UNIT: MM	SHEET NO. 19

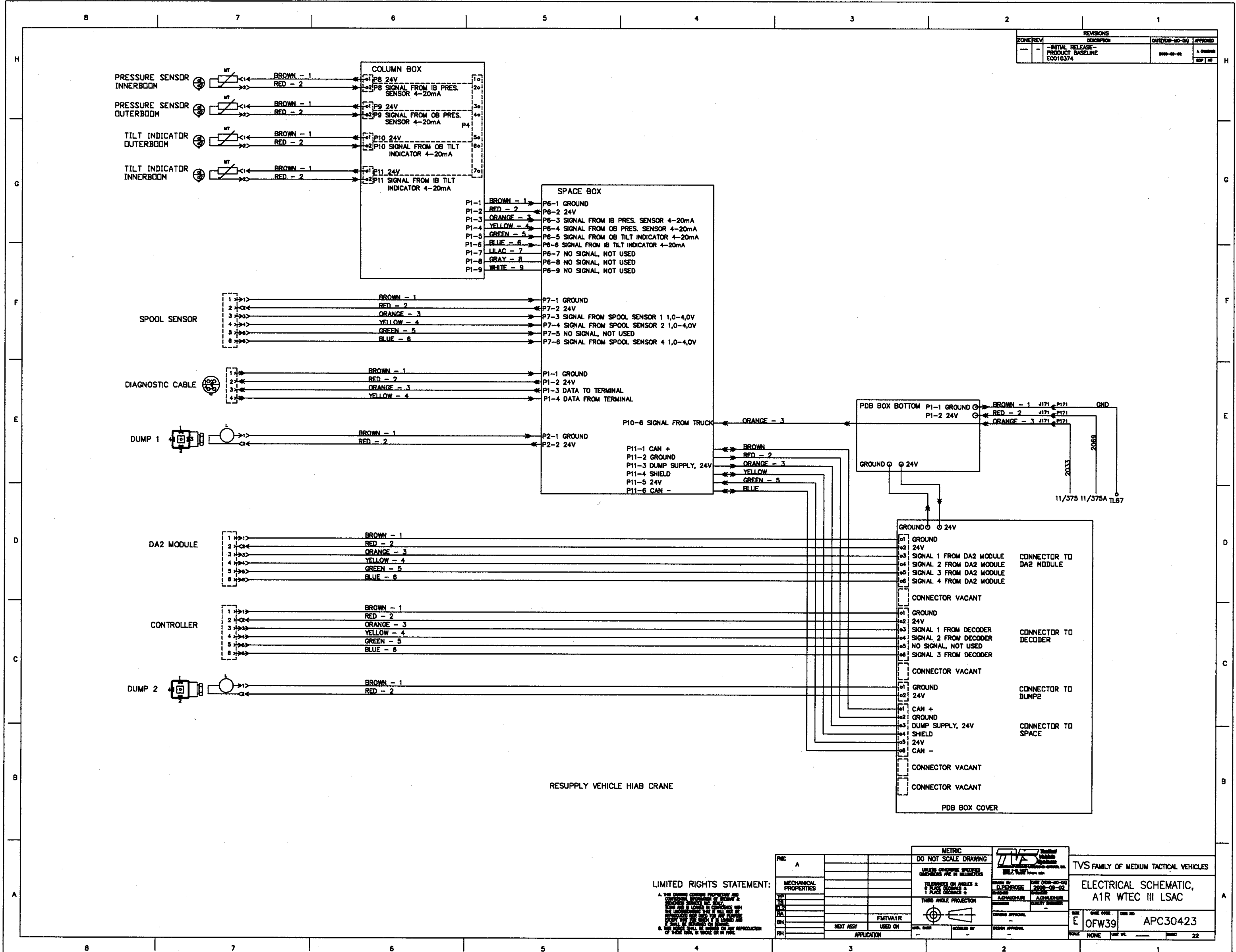


- 800 VAN FAN MOTOR B11
- 801 CIRCUIT BREAKER CB1/200, CB2/30, CB3/50
- 802
- 803 FAN CONTROL SWITCH S35
- 804 CIRCUIT BREAKER CB4/15, CB5/20, CB6/15, CB7/20, CB8/15, CB9/20
- 805
- 806 DOOR AJAR FLASHER A22
- 807
- 808
- 809 TO 13/456 VAN DOOR INDICATOR TO 9/265 (+12VDC) MARKER SIGNAL
- 810 TO 9/250 (+12VDC) BLACKOUT SIGNAL TO 11/380 (+24VDC)
- 811 CIRCUIT BREAKER CB10/5, CB11/20
- 812 TO 3/21 (+24VDC) LBCD FUSE F2/25A
- 813 BLACKOUT OVERRIDE SWITCH S33 POWER CONTROL RELAY "K35" BLACKOUT OVERRIDE RELAY "K36"
- 814 VAN LIGHT RELAY "K41"
- 815 WINDOW BLACKOUT SWITCH S11-S15
- 816 DOOR SWITCH S17A, S17B
- 817 FRONT MARKER LIGHTS DS84-DS88
- 818
- 819
- 820 FORWARD A.C. OUTLETS SWITCH S34
- 821 AC/DC LIGHT SWITCH S32
- 822 REAR MARKER LIGHTS DS89-DS95
- 823
- 824
- 825
- 826
- 827
- 828
- 829
- 830 BLACKOUT LIGHTS DS75, DS76
- 831 EMERGENCY LIGHTS DS78, DS79, DS96, DS97
- 832 FLUORESCENT LIGHTS DS80, DS81, DS82, DS83

REVISIONS		DATE (YY-MM-DD)	APPROVED
ZONE REV	DESCRIPTION		
-	- INITIAL RELEASE - PRODUCT BASELINE ECO10374	2008-09-09	A. GIBSON
			REP. JC

LIMITED RIGHTS STATEMENT:
 A. THE DESIGN ORIGINATOR'S PROPERTY AND ALL RIGHTS ARE RESERVED. NO PART OF THIS DOCUMENT IS TO BE REPRODUCED OR TRANSMITTED IN ANY FORM OR BY ANY MEANS, ELECTRONIC OR MECHANICAL, INCLUDING PHOTOCOPYING, RECORDING, OR BY ANY INFORMATION STORAGE AND RETRIEVAL SYSTEM, WITHOUT PERMISSION IN WRITING FROM THE DESIGN ORIGINATOR.
 B. THE DESIGN SHALL BE KEPT IN CONFIDENCE AND NOT BE DISCLOSED TO ANY OTHER PARTY WITHOUT THE WRITTEN PERMISSION OF THE DESIGN ORIGINATOR.

PART A MECHANICAL PROPERTIES TYP DIM MFG MNT FIN	DO NOT SCALE DRAWING UNLESS OTHERWISE SPECIFIED DIMENSIONS ARE IN MILLIMETERS TOLERANCES ON ANGLES & PLACES DIMENSIONS ARE IN DEGREES & MINUTES THIRD ANGLE PROJECTION	TVS THE TVS GROUP OF COMPANIES TEL: 91-22-25511111 WWW.TVS.COM	TVS FAMILY OF MEDIUM TACTICAL VEHICLES ELECTRICAL SCHEMATIC, A1R WTEC III LSAC
	FMTVA1R USED ON APPLICATION	METRIC UNLESS OTHERWISE SPECIFIED DIMENSIONS ARE IN MILLIMETERS TOLERANCES ON ANGLES & PLACES DIMENSIONS ARE IN DEGREES & MINUTES THIRD ANGLE PROJECTION	DATE: 2008-09-09 DRAWING APPROVAL: [Signature] DESIGN APPROVAL: [Signature]



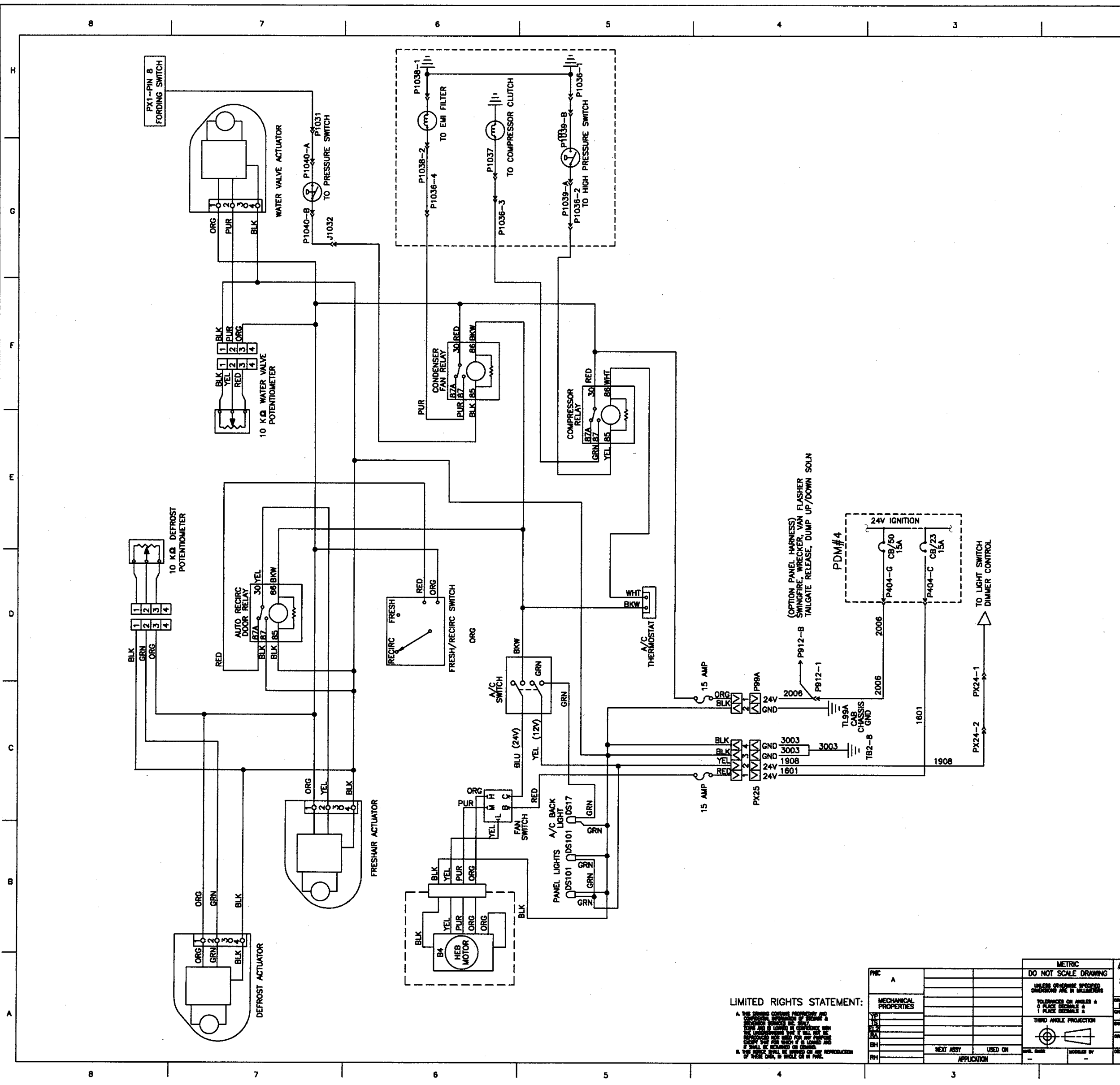
LIMITED RIGHTS STATEMENT:

A. THE DRAWING CONVEYS PROPRIETARY AND CONFIDENTIAL INFORMATION OF THE DRAWER & IS NOT TO BE REPRODUCED, COPIED, OR TRANSMITTED IN ANY FORM OR BY ANY MEANS, ELECTRONIC OR MECHANICAL, INCLUDING PHOTOCOPYING, RECORDING, OR BY ANY INFORMATION STORAGE AND RETRIEVAL SYSTEM, WITHOUT THE EXPRESS WRITTEN PERMISSION OF THE DRAWER.

B. THE DRAWING IS THE PROPERTY OF THE DRAWER & IS NOT TO BE REPRODUCED, COPIED, OR TRANSMITTED IN ANY FORM OR BY ANY MEANS, ELECTRONIC OR MECHANICAL, INCLUDING PHOTOCOPYING, RECORDING, OR BY ANY INFORMATION STORAGE AND RETRIEVAL SYSTEM, WITHOUT THE EXPRESS WRITTEN PERMISSION OF THE DRAWER.

METRIC DO NOT SCALE DRAWING UNLESS OTHERWISE SPECIFIED DIMENSIONS ARE IN MILLIMETERS TOLERANCES ON ANGLES ± 1 PLACE DECIMALS ± 1 PLACE DECIMALS ± THIRD ANGLE PROJECTION		TVS THE TVS FAMILY OF MEDIUM TACTICAL VEHICLES ELECTRICAL SCHEMATIC, A1R WTEC III LSAC	
PART A MECHANICAL PROPERTIES DATE: 2008-08-02 DRAWN BY: D. GIBSON CHECKED BY: A. CHAMBERLAIN APPROVED BY: A. CHAMBERLAIN DATE: 2008-08-02		PART A DATE: 2008-08-02 DRAWING NO: OFW39 REV: 22	

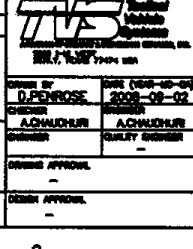
ZONE/REV	DESCRIPTION	DATE/APP'D	APPROVED
-	- INITIAL RELEASE - PRODUCT BASELINE ECO10374	2008-09-02	A. OMBROSE



LIMITED RIGHTS STATEMENT:
A. THIS DRAWING CONTAINS PROPRIETARY AND CONFIDENTIAL INFORMATION OF TEXAS INSTRUMENTS INC. AND IS LOANED TO YOU BY CONTRACT. IT IS NOT TO BE REPRODUCED OR TRANSMITTED IN ANY FORM OR BY ANY MEANS, ELECTRONIC OR MECHANICAL, INCLUDING PHOTOCOPYING, RECORDING, OR BY ANY INFORMATION STORAGE AND RETRIEVAL SYSTEM, WITHOUT THE EXPRESS WRITTEN PERMISSION OF TEXAS INSTRUMENTS INC.
B. THIS DRAWING SHALL BE RETURNED TO TEXAS INSTRUMENTS INC. UPON THE COMPLETION OF THE PROJECT FOR WHICH IT WAS LOANED.
C. THIS DRAWING IS NOT TO BE USED FOR ANY OTHER PROJECT OR FOR ANY OTHER PURPOSE WITHOUT THE EXPRESS WRITTEN PERMISSION OF TEXAS INSTRUMENTS INC.

REV	DESCRIPTION	DATE	BY	CHKD
1	ISSUED FOR PRODUCTION	2008-09-02	D. PENROSE	A. OMBROSE

METRIC
DO NOT SCALE DRAWING
UNLESS OTHERWISE SPECIFIED, DIMENSIONS ARE IN MILLIMETERS
TOLERANCES ON ANGLES & PLACE DECIMALS & 1 PLACE DECIMALS & 1 PLACE DECIMALS & 1 PLACE DECIMALS & 1 PLACE DECIMALS
THIRD ANGLE PROJECTION



REV	DATE	BY	CHKD	APP'D
E	07/39			

TVS FAMILY OF MEDIUM TACTICAL VEHICLES
ELECTRICAL SCHEMATIC,
A1R WTEC III LSAC
APC30423
SHEET 23

ZONE/REV		DESCRIPTION	DATE (YEAR-MO-DA)	APPROVED
---		- INITIAL RELEASE - PRODUCT BASELINE EC010374	2008-06-29	ADAMKAR EDP/AC

NOTES:

1. APPLICABLE STANDARDS/SPECIFICATIONS:
A. ASME Y14.100-2000.
B. ASME Y14.5M-1994
2. IEEE/ASTM SI 10 SHALL BE USED IN CONVERTING AND ROUNDING OFF. 1 INCH=25.4mm APPLIES.
3. B4 HVAC BLOWER POSITIONS
0 - OFF
1 - LOW
2 - MED
3 - HIGH
4. THE FOLLOWING SIGNALS UTILIZE SAE J1587 VEHICLE DATA BUS: ENGINE OIL PRESSURE, COOLANT TEMPERATURE, ENGINE SPEED (RPM), VEHICLE SPEED, VOLTAGE (+24V), CHECK TRANSMISSION, TRANSMISSION TEMPERATURE AND TRAILER ABS.
5. FOR GENERAL CROSS REFERENCE, THIS SCHEMATIC IS DERIVED FROM THE STANDARD FMTV ELECTRICAL SCHEMATIC: 12423939.

CIRCUIT BREAKER	BATTERY	FUSE	OPEN CONTACT	CLOSED CONTACT	SWITCH	PUSHBUTTON	FILTER
SPLICE	ALTERNATOR	MOTOR	CONNECTOR	TERMINAL BLOCK	PRESSURE SWITCH	TEMPERATURE SWITCH	AUDIBLE ALARM
POWER RELAY	LAMP	LED	DUAL BEAM LAMP	BLACKOUT MARKER	METER OR GAUGE	POWER OR GROUND	DIODE
OPTION FLAG	RESISTOR	SENSOR	RECEPTACLE	CONNECTION	RELAY	SOLENOID	GROUND

LIMITED RIGHTS STATEMENT:

A. THIS DRAWING CONTAINS PROPRIETARY AND CONFIDENTIAL INFORMATION OF STEMMER & STEVENSON SERVICES INC. (SS&S). IT IS LOANED TO YOU IN CONFIDENCE WITH THE UNDERSTANDING THAT IT WILL NOT BE REPRODUCED NOR USED FOR ANY PURPOSES EXCEPT THAT FOR WHICH IT IS LOANED AND IT SHALL BE RETURNED ON DEMAND. B. THIS NOTICE SHALL BE APPLIED ON ANY REPRODUCTION OF THESE DATA, IN WHOLE OR IN PART.

PREC A		METRIC DO NOT SCALE DRAWING		TVS Technical Vehicle Systems A CHAUDHURI ENGINEERING, INC. 2001 F.W. WALKER DRIVE, WILSONVILLE, IN 46094		TVS FAMILY OF MEDIUM TACTICAL VEHICLES	
UNLESS OTHERWISE SPECIFIED DIMENSIONS ARE IN MILLIMETERS		TOLERANCES ON ANGLES ± 0 PLACE DECIMALS ± 1 PLACE DECIMALS ±		DRAWN BY: D. PENROSE CHECKER: A. CHAUDHURI ENGINEER: A. CHAUDHURI QUALITY ENGINEER: -		ELECTRICAL SCHEMATIC, A1R GEN IV LSAC	
THIRD ANGLE PROJECTION		FMTVA1R		DRAWING APPROVAL: -		SIZE: E CASE CODE: OFW39 DWG NO: APC30424	
NEXT ASSY USED ON: -		APPLICATION: -		DESIGN APPROVAL: -		SCALE: NONE UNIT WT: - SHEET 1 OF 22	

Table with columns: REFERENCE DESIGNATION, DESCRIPTION, SHEET NUMBER, LOCATION. Contains equipment list items A1 through DS65.

Table with columns: REFERENCE DESIGNATION, DESCRIPTION, SHEET NUMBER, LOCATION. Contains equipment list items DS66 through E120.

Table with columns: REFERENCE DESIGNATION, DESCRIPTION, SHEET NUMBER, LOCATION. Contains equipment list items E121 through R12.

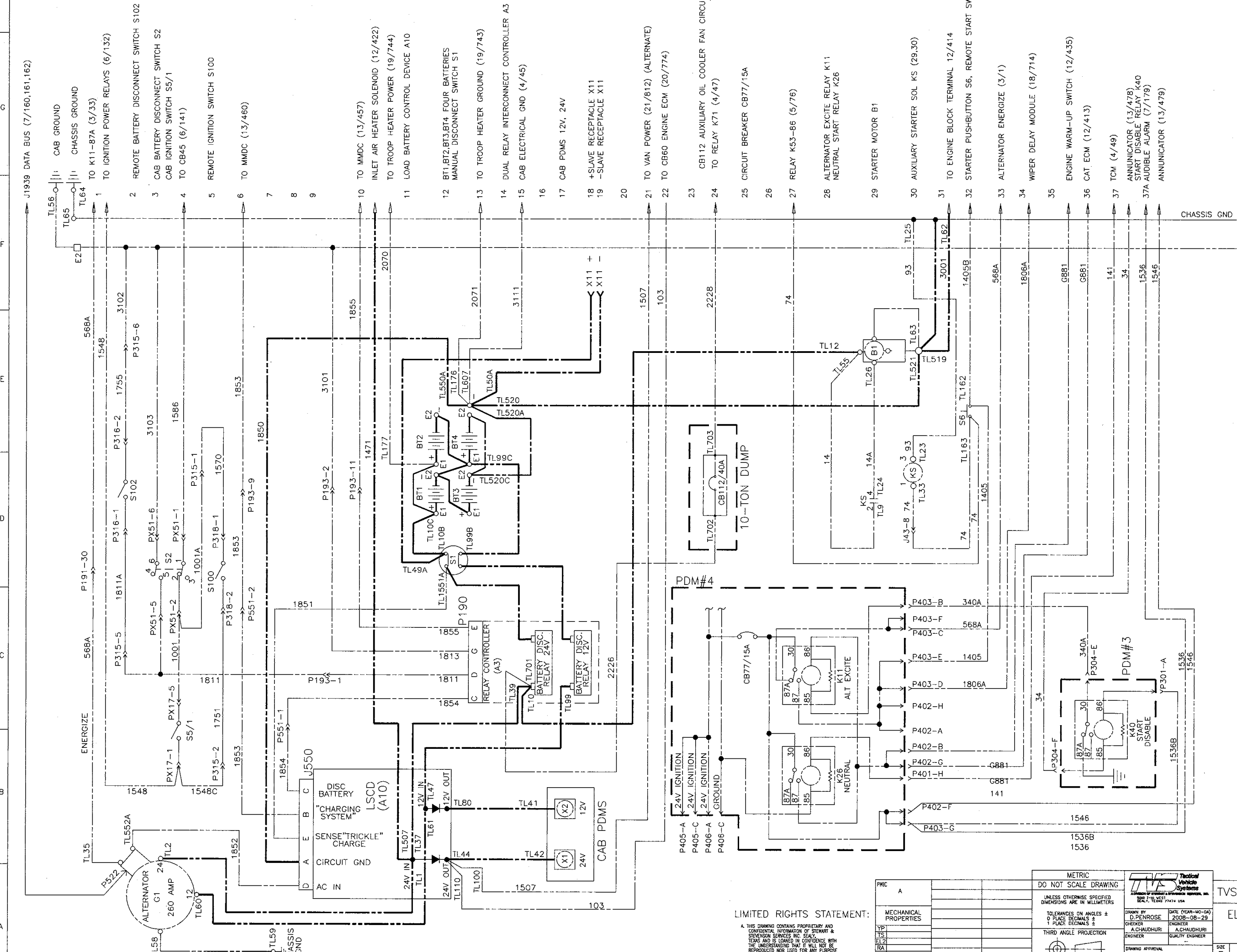
Table with columns: REFERENCE DESIGNATION, DESCRIPTION, SHEET NUMBER, LOCATION. Contains equipment list items R13 through X21.

Table with columns: REFERENCE DESIGNATION, DESCRIPTION, SHEET NUMBER, LOCATION. Contains equipment list items X22 through Z21.

Table with columns: ZONE REV, REVISIONS, DATE (YEAR-MO-DA), APPROVED. Includes revision history for initial release and product baseline.

Technical drawing header and footer including: METRIC, DO NOT SCALE DRAWING, Tolerances on angles, TVS FAMILY OF MEDIUM TACTICAL VEHICLES, ELECTRICAL SCHEMATIC, A1R GEN IV LSAC, and drawing approval/signature blocks.

REV		DESCRIPTION	DATE (YEAR-MO-DA)	APPROVED
1		- INITIAL RELEASE - PRODUCT BASELINE ECO10374	2008-08-29	ADN/DAUR EDP/AC



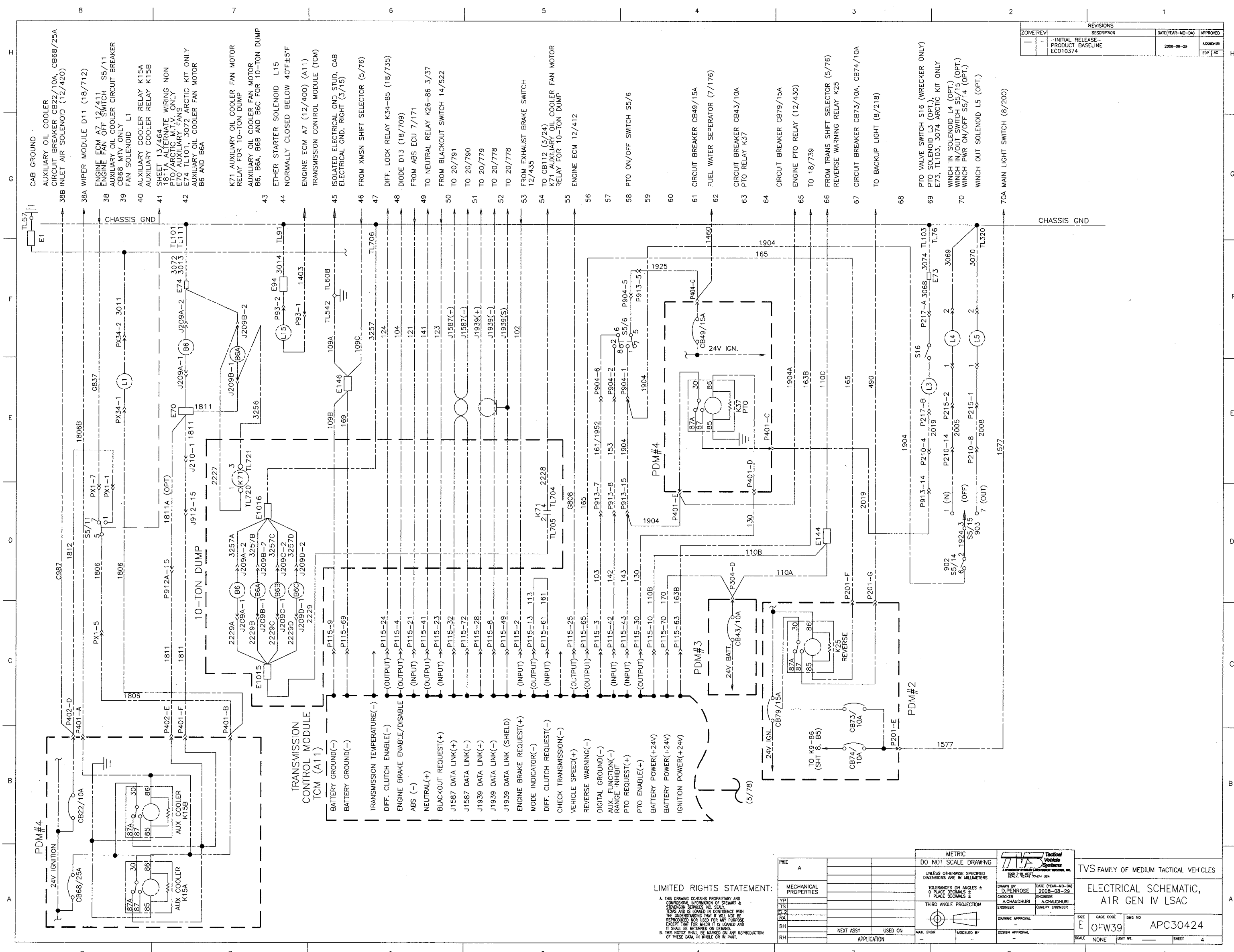
LIMITED RIGHTS STATEMENT:
 A. THIS DRAWING CONTAINS PROPRIETARY AND CONFIDENTIAL INFORMATION OF STEARNT & SENNING SERVICES INC. (SSS) AND IS LOANED IN CONFIDENCE WITH THE UNDERSTANDING THAT IT SHALL NOT BE REPRODUCED NOR USED FOR ANY PURPOSE WITHOUT THE WRITTEN PERMISSION OF SSS. IF IT IS LOANED AND IT SHALL BE RETURNED ON DEMAND.
 B. THIS NOTICE SHALL BE APPLIED ON ANY REPRODUCTION OF THESE DATA, IN WHOLE OR IN PART.

REV	DESCRIPTION	DATE	BY	CHKD
1				

DATE	2008-08-29
BY	A. CHAUDHURI
CHKD	A. CHAUDHURI
APPV	

DATE	2008-08-29
BY	A. CHAUDHURI
CHKD	A. CHAUDHURI
APPV	

TVS FAMILY OF MEDIUM TACTICAL VEHICLES		
ELECTRICAL SCHEMATIC, A1R GEN IV LSAC		
SIZE	E	QWF39
CAGE CODE		APC30424
SCALE	NONE	SHEET 3



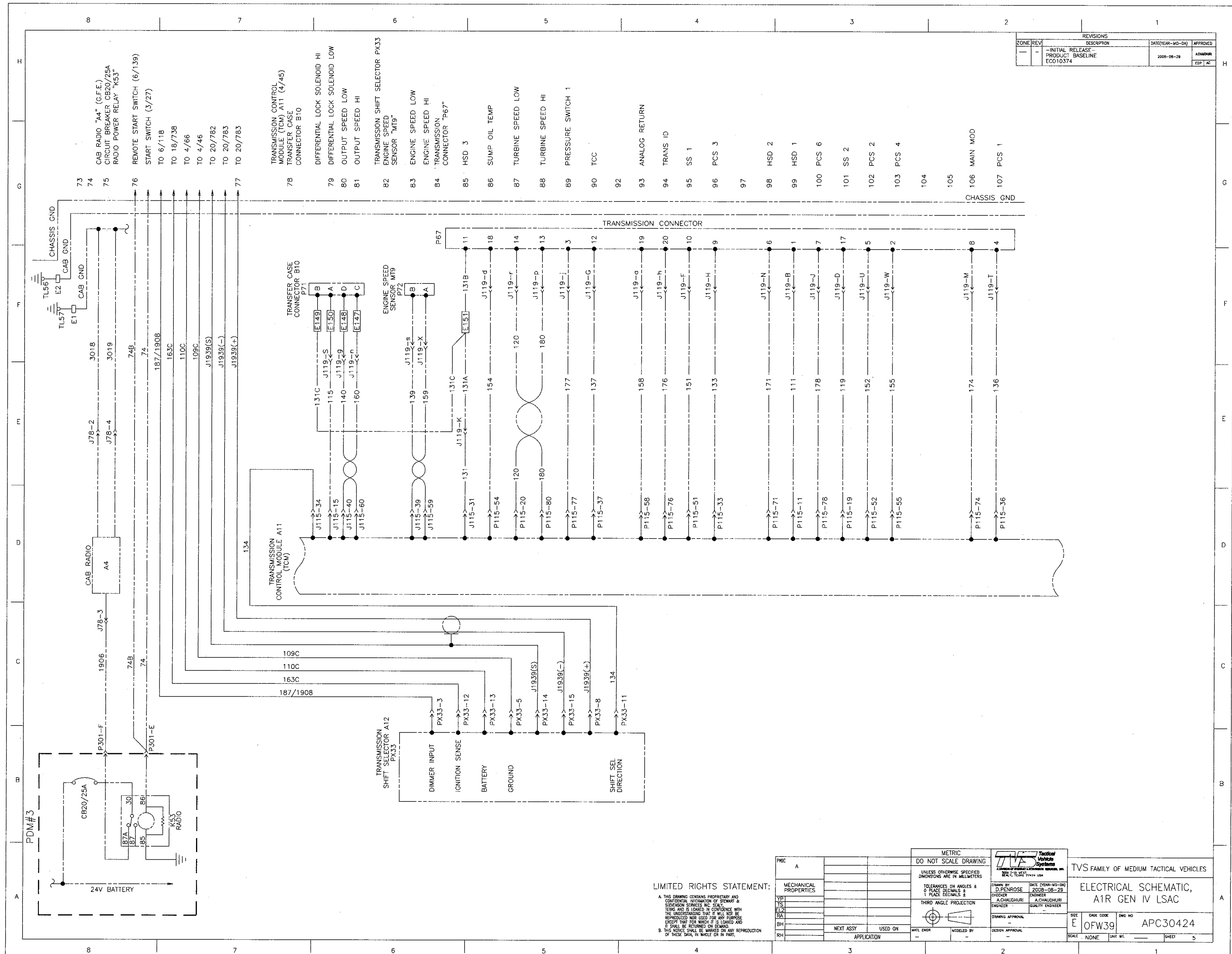
ZONE REV		DESCRIPTION	DATE (YEAR-MO-DA)	APPROVED
-	-	- INITIAL RELEASE - PRODUCT BASELINE ECO10374	2008-08-29	ADONDIR
-	-			EDP AC

LIMITED RIGHTS STATEMENT:

A. THIS DRAWING CONTAINS PROPRIETARY AND CONFIDENTIAL INFORMATION OF STEARNS & STEVENSON SERVICES INC. SEAL, TRADE AND IS LOANED IN CONFIDENCE WITH THE UNDERSTANDING THAT IT WILL NOT BE REPRODUCED NOR USED FOR ANY PURPOSE EXCEPT THAT FOR WHICH IT IS LOANED AND IT SHALL BE RETURNED OR DECLASSIFIED IF THIS NOTICE SHALL BE MARKED ON ANY REPRODUCTION OF THESE DATA, IN WHOLE OR IN PART.

MECHANICAL PROPERTIES		METRIC	
DO NOT SCALE DRAWING		UNLESS OTHERWISE SPECIFIED DIMENSIONS ARE IN MILLIMETERS	
P/N:	A	TOLERANCES ON ANGLES ±	1 PLACE DECIMALS ± ±
Y/P:		TOLERANCES ON DIMENSIONS ±	2 PLACE DECIMALS ± ±
F/S:		THIRD ANGLE PROJECTION	
RA:			
REL:			
SH:			
RH:			
NEXT ASSY USED ON		MAIL ENGR	MODIFIED BY
APPLICATION		DESIGN APPROVAL	

TVS FAMILY OF MEDIUM TACTICAL VEHICLES	
ELECTRICAL SCHEMATIC, AIR GEN IV LSAC	
SIZE E	DATE (YEAR-MO-DA) 2008-08-29
DRAWN BY D.PENROSE	ENGINEER A.CHAUDHURI
SCALE NONE	QUALITY ENGINEER
GAGE CODE	DWG NO APC30424
SHEET	4



REVISIONS			DATE (YEAR-MO-DA)	APPROVED
ZONE	REV	DESCRIPTION		
-	-	- INITIAL RELEASE	2008-08-29	ADW/WR
-	-	- PRODUCT BASELINE		ESP/AC
-	-	- ECO10374		

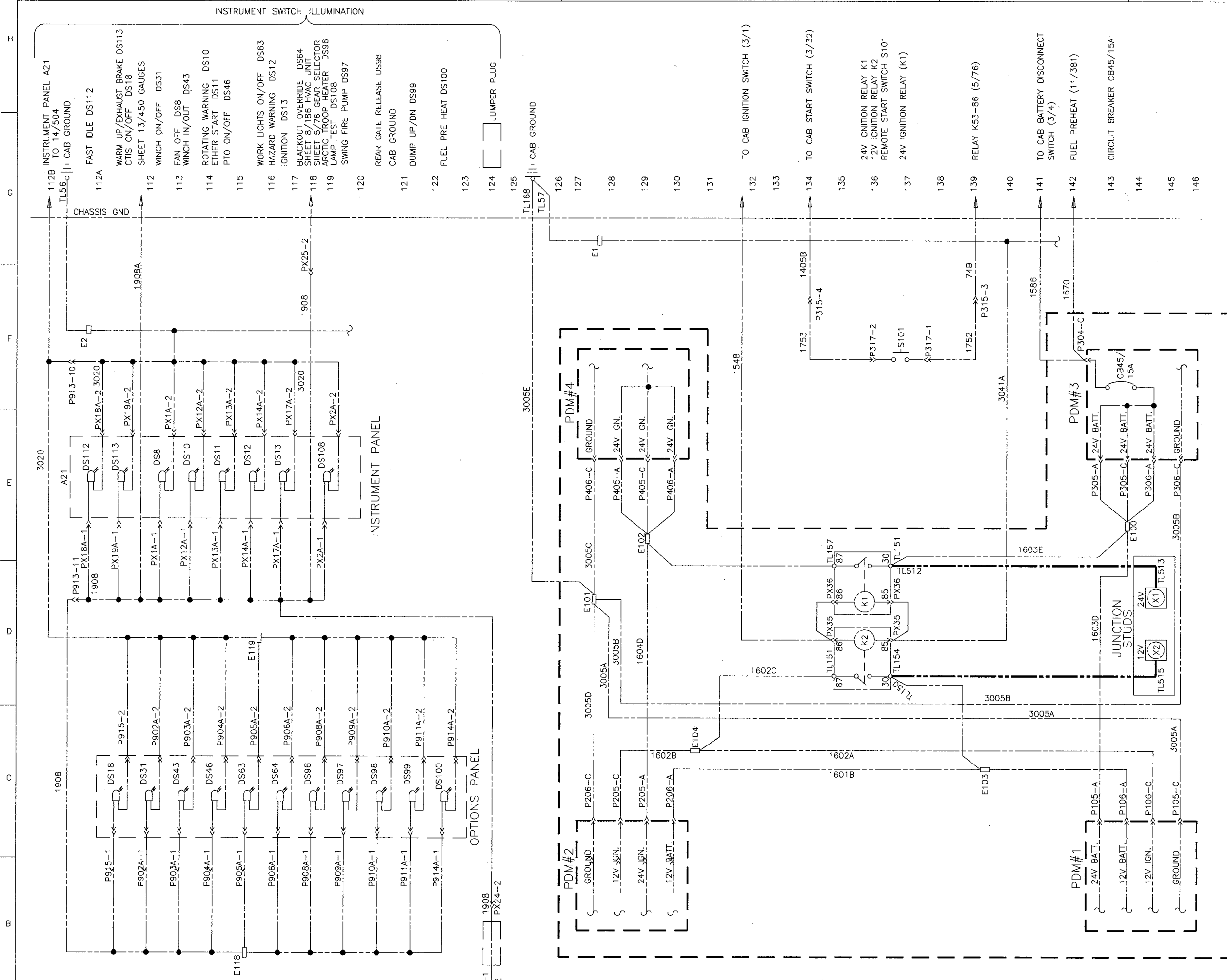
- 73 CAB RADIO "A4" (G.F.E.)
- 74 CIRCUIT BREAKER CB20/25A
- 75 RADIO POWER RELAY "KS3"
- 76 REMOTE START SWITCH (6/139)
- 77 START SWITCH (3/27)
- 78 TO 6/118
- 79 TO 18/738
- 80 TO 4/66
- 81 TO 4/46
- 82 TO 20/782
- 83 TO 20/783
- 84 TO 20/783
- 85 TO 20/783
- 78 TRANSMISSION CONTROL MODULE (TCM) A11 (4/45)
- 79 TRANSMISSION CONTROL MODULE (TCM) A11 (4/45)
- 80 TRANSMISSION CONTROL MODULE (TCM) A11 (4/45)
- 81 TRANSMISSION CONTROL MODULE (TCM) A11 (4/45)
- 82 TRANSMISSION CONTROL MODULE (TCM) A11 (4/45)
- 83 TRANSMISSION CONTROL MODULE (TCM) A11 (4/45)
- 84 TRANSMISSION CONTROL MODULE (TCM) A11 (4/45)
- 85 TRANSMISSION CONTROL MODULE (TCM) A11 (4/45)
- 86 TRANSMISSION CONTROL MODULE (TCM) A11 (4/45)
- 87 TRANSMISSION CONTROL MODULE (TCM) A11 (4/45)
- 88 TRANSMISSION CONTROL MODULE (TCM) A11 (4/45)
- 89 TRANSMISSION CONTROL MODULE (TCM) A11 (4/45)
- 90 TRANSMISSION CONTROL MODULE (TCM) A11 (4/45)
- 92 TRANSMISSION CONTROL MODULE (TCM) A11 (4/45)
- 93 TRANSMISSION CONTROL MODULE (TCM) A11 (4/45)
- 94 TRANSMISSION CONTROL MODULE (TCM) A11 (4/45)
- 95 TRANSMISSION CONTROL MODULE (TCM) A11 (4/45)
- 96 TRANSMISSION CONTROL MODULE (TCM) A11 (4/45)
- 97 TRANSMISSION CONTROL MODULE (TCM) A11 (4/45)
- 98 TRANSMISSION CONTROL MODULE (TCM) A11 (4/45)
- 99 TRANSMISSION CONTROL MODULE (TCM) A11 (4/45)
- 100 TRANSMISSION CONTROL MODULE (TCM) A11 (4/45)
- 101 TRANSMISSION CONTROL MODULE (TCM) A11 (4/45)
- 102 TRANSMISSION CONTROL MODULE (TCM) A11 (4/45)
- 103 TRANSMISSION CONTROL MODULE (TCM) A11 (4/45)
- 104 TRANSMISSION CONTROL MODULE (TCM) A11 (4/45)
- 105 TRANSMISSION CONTROL MODULE (TCM) A11 (4/45)
- 106 TRANSMISSION CONTROL MODULE (TCM) A11 (4/45)
- 107 TRANSMISSION CONTROL MODULE (TCM) A11 (4/45)

LIMITED RIGHTS STATEMENT:
 A. THIS DRAWING CONTAINS PROPRIETARY AND CONFIDENTIAL INFORMATION OF STEWART & SHERIDAN SERVICES INC. (SSSI) AND IS LOANED IN CONFIDENCE WITH THE UNDERSTANDING THAT IT WILL NOT BE REPRODUCED NOR USED FOR ANY PURPOSE WITHOUT THE WRITTEN PERMISSION OF SSSI. IF IT SHALL BE RETURNED ON DEMAND AND THIS NOTICE SHALL BE MARKED ON ANY REPRODUCTION OF THESE DATA IN WHOLE OR IN PART.

P/N: A	DO NOT SCALE DRAWING		METRIC	
	UNLESS OTHERWISE SPECIFIED DIMENSIONS ARE IN MILLIMETERS		TOLERANCES ON ANGLES ± 0 PLACE DECIMALS ± 1 PLACE DECIMALS ±	
THIRD ANGLE PROJECTION				
NEXT ASSY USED ON		DATE ENGR	MODELED BY	DESIGN APPROVAL
APPLICATION				

TVS FAMILY OF MEDIUM TACTICAL VEHICLES			
ELECTRICAL SCHEMATIC, A1R GEN IV LSAC			
SIZE: E	CAGE CODE: OFW39	DWG NO: APC30424	SHEET: 5

REVISIONS				
ZONE	REV	DESCRIPTION	DATE (YEAR-MO-DA)	APPROVED
-	-	- INITIAL RELEASE -		
-	-	PRODUCT BASELINE	2008-08-29	ADAM/BJR
-	-	ECO10374		EDP AC



TO PX15-B
LINE 247
SHEET 9

1908
PX24-2
1542

INSTRUMENT SWITCH ILLUMINATION

INSTRUMENT PANEL

OPTIONS PANEL

POWER DISTRIBUTION MODULES (PDM)

112B TO 14/504
TO CAB GROUND

FAST IDLE DS112

WARM UP/EXHAUST BRAKE DS113
CTIS ON/OFF DS18

SHEET 13/450 GAUGES

WINCH ON/OFF DS31

FAN OFF DS8
WINCH IN/OUT DS43

ROTATING WARNING DS10
ETHER START DS11
PTO ON/OFF DS46

WORK LIGHTS ON/OFF DS63
HAZARD WARNING DS12
IGNITION DS13

BLACKOUT OVERRIDE DS64
SHEET 8/186 HVAC UNIT
APPLICATOR SELECTOR
APPLICATOR SELECTOR
LAMP TEST DS108
SWING FIRE PUMP DS97

HAZARD WARNING DS12
IGNITION DS13

REAR GATE RELEASE DS98
CAB GROUND

DUMP UP/DN DS99

FUEL PRE HEAT DS100

JUMPER PLUG

TO CAB GROUND

TO CAB IGNITION SWITCH (3/1)

TO CAB START SWITCH (3/32)

24V IGNITION RELAY K1
12V IGNITION RELAY K2
REMOTE START SWITCH S101
24V IGNITION RELAY (K1)

RELAY K53-86 (5/76)

TO CAB BATTERY DISCONNECT SWITCH (3/4)

FUEL PREHEAT (11/381)

CIRCUIT BREAKER CB45/15A

1908
PX24-1
1542

TO PX15-B
LINE 247
SHEET 9

PHIC A

MECHANICAL PROPERTIES

YTP

ITS

RA

BH

RH

APPLICATION

METRIC

DO NOT SCALE DRAWING

UNLESS OTHERWISE SPECIFIED DIMENSIONS ARE IN MILLIMETERS

TOLERANCES ON ANGLES ± 0 PLACE DECIMALS ± 1 PLACE DECIMALS

THIRD ANGLE PROJECTION

SCALE

SCALE NONE UNIT WT. SHEET 6

TVS FAMILY OF MEDIUM TACTICAL VEHICLES

ELECTRICAL SCHEMATIC, A1R GEN IV LSAC

DATE (YEAR-MO-DA) 2008-08-29

ENGINEER ACHAUDHURI

QUALITY ENGINEER ACHAUDHURI

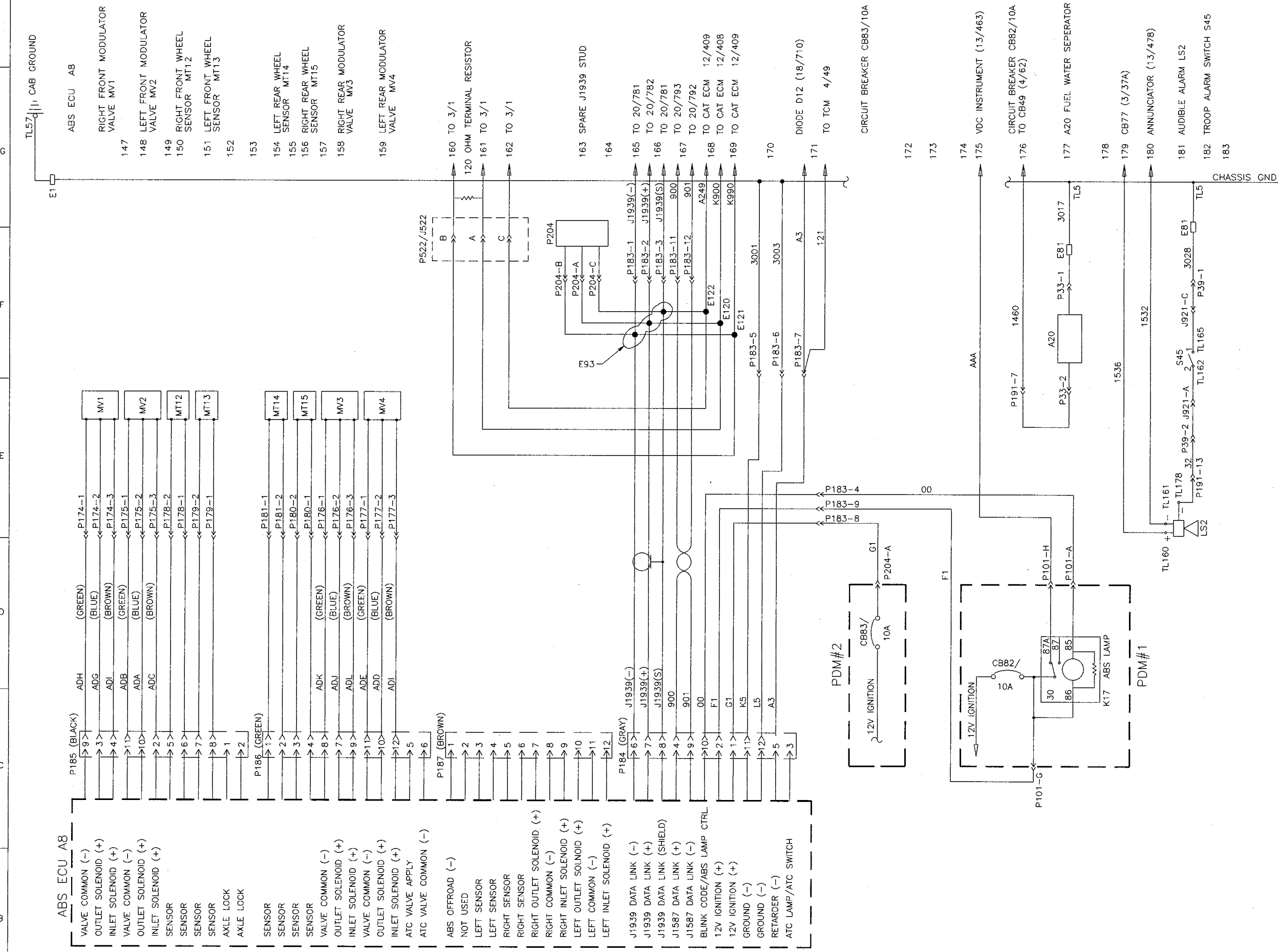
SIZE E CASE CODE OFW39 DWG NO APC30424

LIMITED RIGHTS STATEMENT:

A. THIS DRAWING CONTAINS PROPRIETARY AND CONFIDENTIAL INFORMATION OF STEWART & SEVENSON SERVICES INC. (SSS) AND IS LOANED TO YOU IN CONFIDENCE WITH THE UNDERSTANDING THAT IT WILL NOT BE REPRODUCED, COPIED, OR USED FOR ANY PURPOSE EXCEPT THAT FOR WHICH IT IS LOANED AND IT SHALL BE RETURNED ON DEMAND.

B. THIS NOTICE SHALL BE MARKED ON ANY REPRODUCTION OF THESE DATA, IN WHOLE OR IN PART.

REVISIONS		DATE (YEAR-MO-DA)	APPROVED
ZONE REV	DESCRIPTION		
-	- INITIAL RELEASE - PRODUCT BASELINE ECU10374	2006-08-29	ACKNDR
			ESP AC

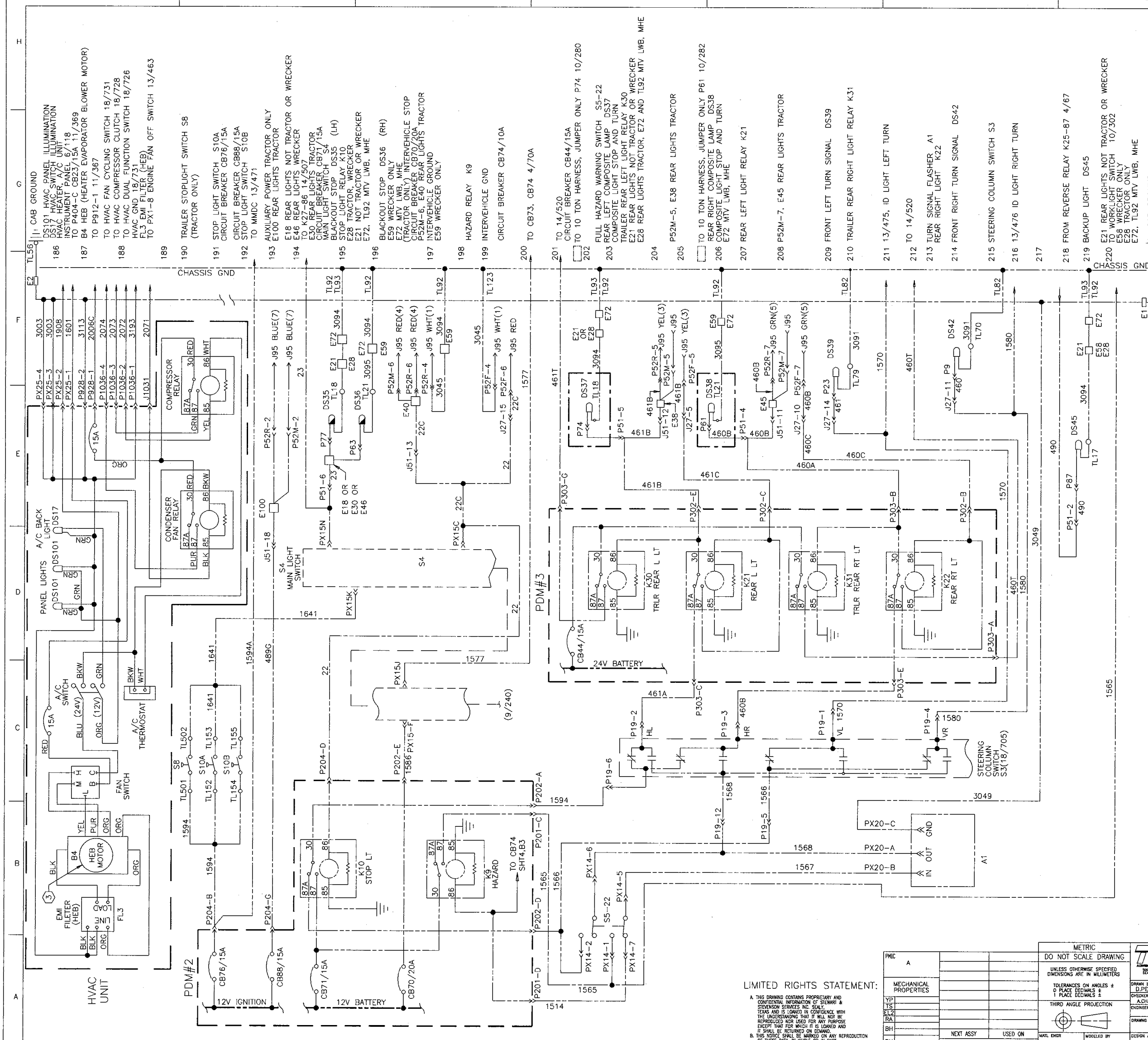


ABS ECU AB		P185 (BLACK)		P186 (GREEN)		P187 (BROWN)		P184 (GRAY)		P183		P204	
VALVE COMMON (-)	ADH	9	(GREEN)	1	(GREEN)	1	(BROWN)	6	(GRAY)	183-1	1	A	
OUTLET SOLENOID (+)	ADG	3	(BLUE)	2	(BLUE)	2	(BROWN)	7	(GRAY)	183-2	2	B	
INLET SOLENOID (+)	ADI	4	(BROWN)	3	(BROWN)	3	(BROWN)	8	(GRAY)	183-3	3	C	
VALVE COMMON (-)	ADB	11	(GREEN)	4	(GREEN)	4	(BROWN)	9	(GRAY)	183-4	4	D	
OUTLET SOLENOID (+)	ADA	10	(BLUE)	5	(BLUE)	5	(BROWN)	10	(GRAY)	183-5	5	E	
INLET SOLENOID (+)	ADC	2	(BROWN)	6	(BROWN)	6	(BROWN)	11	(GRAY)	183-6	6	F	
SENSOR		5		7		7		12		183-7	7	G	
SENSOR		6		8		8				183-8	8	H	
SENSOR		7		9		9				183-9	9		
SENSOR		8		10		10				183-10	10		
AXLE LOCK		1		11		11				183-11	11		
AXLE LOCK		2		12		12				183-12	12		
SENSOR		1		1		1				183-13	13		
SENSOR		2		2		2				183-14	14		
SENSOR		3		3		3				183-15	15		
SENSOR		4		4		4				183-16	16		
VALVE COMMON (-)		8		5		5				183-17	17		
OUTLET SOLENOID (+)		7		6		6				183-18	18		
INLET SOLENOID (+)		9		7		7				183-19	19		
VALVE COMMON (-)		11		8		8				183-20	20		
OUTLET SOLENOID (+)		10		9		9				183-21	21		
INLET SOLENOID (+)		12		10		10				183-22	22		
INLET SOLENOID (+)		1		11		11				183-23	23		
ATC VALVE APPLY		2		12		12				183-24	24		
ATC VALVE COMMON (-)		6		1		1				183-25	25		
ABS OFFROAD (-)		1		2		2				183-26	26		
NOT USED		2		3		3				183-27	27		
LEFT SENSOR		3		4		4				183-28	28		
LEFT SENSOR		4		5		5				183-29	29		
RIGHT SENSOR		5		6		6				183-30	30		
RIGHT SENSOR		6		7		7				183-31	31		
RIGHT OUTLET SOLENOID (+)		7		8		8				183-32	32		
RIGHT COMMON (-)		8		9		9				183-33	33		
RIGHT INLET SOLENOID (+)		9		10		10				183-34	34		
LEFT OUTLET SOLENOID (+)		10		11		11				183-35	35		
LEFT COMMON (-)		11		12		12				183-36	36		
LEFT INLET SOLENOID (+)		12								183-37	37		
J1939 DATA LINK (-)	J1939(-)	6								183-38	38		
J1939 DATA LINK (+)	J1939(+)	7								183-39	39		
J1939 DATA LINK (SHIELD)	J1939(S)	8								183-40	40		
J1587 DATA LINK (+)	900	4								183-41	41		
J1587 DATA LINK (-)	901	9								183-42	42		
BLINK CODE/ABS LAMP CTRL	00	10								183-43	43		
12V IGNITION (+)	F1	2								183-44	44		
12V IGNITION (+)	G1	1								183-45	45		
GROUND (-)	K5	1								183-46	46		
GROUND (-)	L5	2								183-47	47		
RETARDER (-)	A3	5								183-48	48		
ATC LAMP/ATC SWITCH		3								183-49	49		

LIMITED RIGHTS STATEMENT:
 A. THIS DRAWING CONTAINS PROPRIETARY AND CONFIDENTIAL INFORMATION OF STEWART & SENSORS SERVICES, INC. (SS&S). THIS DRAWING IS LOANED TO YOU IN CONFIDENCE WITH THE UNDERSTANDING THAT IT WILL NOT BE REPRODUCED OR USED FOR ANY PURPOSE OTHER THAN THAT FOR WHICH IT IS LOANED AND IT SHALL BE RETURNED ON DEMAND.
 B. THIS NOTICE SHALL BE REPRODUCED ON ANY REPRODUCTION OF THESE DATA, IN WHOLE OR IN PART.

PNC MECHANICAL PROPERTIES TYP TIS EL2 RA BH RH	APPLICATION NEXT ASSY USED ON	METRIC DO NOT SCALE DRAWING UNLESS OTHERWISE SPECIFIED DIMENSIONS ARE IN MILLIMETERS TOLERANCES ON ANGLES ± ° PLACE DECIMALS ± ° PLACE DECIMALS ± THIRD ANGLE PROJECTION	TVS Technical Vehicle Systems DRAWN BY: D. PENROSE CHECKER: A. CHAUDHURI ENGINEER: A. CHAUDHURI QUALITY ENGINEER:	
	DATE (YEAR-MO-DA) 2006-08-29	DATE (YEAR-MO-DA) 2006-08-29	TVS FAMILY OF MEDIUM TACTICAL VEHICLES ELECTRICAL SCHEMATIC, A1R GEN IV LSAC	
	SCALE: NONE SHEET NO.: 7	DWG NO.: APC30424	SIZE: E	CAGE CODE: OFW39
	DESIGN APPROVAL:	MODEL BY:	MFL ENGR:	SHEET: 7

REVISIONS				
ZONE	REV	DESCRIPTION	DATE (YEAR-MO-DA)	APPROVED
-	-	INITIAL RELEASE - PRODUCT BASELINE ECO10374	2008-08-29	A. CHAUDHURI EJP AC



186 DS101 HVAC PANEL ILLUMINATION
DS12 HVAC SWITCH ILLUMINATION
INSTRUMENT PANEL 6/1/18
TO P404-C CB23/15A 11/369
187 B4 HEB (HEATER EVAPORATOR BLOWER MOTOR)
TO P912-1 11/367
TO HVAC FAN CYCLING SWITCH 18/731
TO HVAC COMPRESSOR CLUTCH 18/728
TO HVAC DUAL FUNCTION SWITCH 18/726
HVAC GND 18/731
FL3 EMI FILTER (HEB)
TO PX1-8 ENGINE FAN OFF SWITCH 13/463

189 TRAILER STOPLIGHT SWITCH S8
(TRACTOR ONLY)
191 STOP LIGHT SWITCH S10A
CIRCUIT BREAKER CB88/15A
192 STOP LIGHT SWITCH S10B
TO MMDC 13/471
193 AUXILIARY POWER TRACTOR ONLY
E100 REAR LIGHTS TRACTOR
E18 REAR LIGHTS NOT TRACTOR OR WRECKER
E46 REAR LIGHTS WRECKER
E50 REAR LIGHTS TRACTOR
E51 REAR LIGHTS NOT TRACTOR OR WRECKER
E52 REAR LIGHTS WRECKER
E53 REAR LIGHTS TRACTOR
E54 REAR LIGHTS NOT TRACTOR OR WRECKER
E55 REAR LIGHTS WRECKER
E56 REAR LIGHTS TRACTOR
E57 REAR LIGHTS NOT TRACTOR OR WRECKER
E58 REAR LIGHTS WRECKER
E59 REAR LIGHTS TRACTOR
E60 REAR LIGHTS NOT TRACTOR OR WRECKER
E61 REAR LIGHTS WRECKER
E62 REAR LIGHTS TRACTOR
E63 REAR LIGHTS NOT TRACTOR OR WRECKER
E64 REAR LIGHTS WRECKER
E65 REAR LIGHTS TRACTOR
E66 REAR LIGHTS NOT TRACTOR OR WRECKER
E67 REAR LIGHTS WRECKER
E68 REAR LIGHTS TRACTOR
E69 REAR LIGHTS NOT TRACTOR OR WRECKER
E70 REAR LIGHTS WRECKER
E71 REAR LIGHTS TRACTOR
E72 REAR LIGHTS NOT TRACTOR OR WRECKER
E73 REAR LIGHTS WRECKER
E74 REAR LIGHTS TRACTOR
E75 REAR LIGHTS NOT TRACTOR OR WRECKER
E76 REAR LIGHTS WRECKER
E77 REAR LIGHTS TRACTOR
E78 REAR LIGHTS NOT TRACTOR OR WRECKER
E79 REAR LIGHTS WRECKER
E80 REAR LIGHTS TRACTOR
E81 REAR LIGHTS NOT TRACTOR OR WRECKER
E82 REAR LIGHTS WRECKER
E83 REAR LIGHTS TRACTOR
E84 REAR LIGHTS NOT TRACTOR OR WRECKER
E85 REAR LIGHTS WRECKER
E86 REAR LIGHTS TRACTOR
E87 REAR LIGHTS NOT TRACTOR OR WRECKER
E88 REAR LIGHTS WRECKER
E89 REAR LIGHTS TRACTOR
E90 REAR LIGHTS NOT TRACTOR OR WRECKER
E91 REAR LIGHTS WRECKER
E92 REAR LIGHTS TRACTOR
E93 REAR LIGHTS NOT TRACTOR OR WRECKER
E94 REAR LIGHTS WRECKER
E95 REAR LIGHTS TRACTOR
E96 REAR LIGHTS NOT TRACTOR OR WRECKER
E97 REAR LIGHTS WRECKER
E98 REAR LIGHTS TRACTOR
E99 REAR LIGHTS NOT TRACTOR OR WRECKER
E100 REAR LIGHTS WRECKER

198 HAZARD RELAY K9
199 INTERVEHICLE GND
CIRCUIT BREAKER CB74/10A
TO CB73, CB74 4/70A
201 TO 14/520
CIRCUIT BREAKER CB44/15A
TO 10 TON HARNESS, JUMPER ONLY P74 10/280
202 FULL HAZARD WARNING SWITCH S5-22
REAR LEFT COMPOSITE LAMP DS37
REAR LEFT COMPOSITE LAMP DS37
TRAILER REAR LIGHT RELAY K30
E21 REAR LIGHTS NOT TRACTOR OR WRECKER
E28 REAR LIGHTS TRACTOR, E72 AND TL92 MTV LWB, MHE
204 P52M-5, E38 REAR LIGHTS TRACTOR
205 TO 10 TON HARNESS, JUMPER ONLY P61 10/282
REAR RIGHT COMPOSITE LAMP DS38
COMPOSITE LIGHT STOP AND TURN
E72 MTV LWB, MHE
207 REAR LEFT LIGHT RELAY K21
208 P52M-7, E45 REAR LIGHTS TRACTOR
209 FRONT LEFT TURN SIGNAL DS39
210 TRAILER REAR RIGHT LIGHT RELAY K31
211 13/475, ID LIGHT LEFT TURN
212 TO 14/520
213 TURN SIGNAL FLASHER A1
REAR RIGHT LIGHT K22
214 FRONT RIGHT TURN SIGNAL DS42
215 STEERING COLUMN SWITCH S3
216 13/476 ID LIGHT RIGHT TURN
217 FROM REVERSE RELAY K25-87 4/67
218 DS45
219 BACKUP LIGHT DS45
E21 REAR LIGHTS NOT TRACTOR OR WRECKER
E28 WRECKER ONLY
E28 TRACTOR ONLY
E72, TL92 MTV LWB, MHE

200 TO CB73, CB74 4/70A
201 TO 14/520
CIRCUIT BREAKER CB44/15A
TO 10 TON HARNESS, JUMPER ONLY P74 10/280
202 FULL HAZARD WARNING SWITCH S5-22
REAR LEFT COMPOSITE LAMP DS37
REAR LEFT COMPOSITE LAMP DS37
TRAILER REAR LIGHT RELAY K30
E21 REAR LIGHTS NOT TRACTOR OR WRECKER
E28 REAR LIGHTS TRACTOR, E72 AND TL92 MTV LWB, MHE
204 P52M-5, E38 REAR LIGHTS TRACTOR
205 TO 10 TON HARNESS, JUMPER ONLY P61 10/282
REAR RIGHT COMPOSITE LAMP DS38
COMPOSITE LIGHT STOP AND TURN
E72 MTV LWB, MHE
207 REAR LEFT LIGHT RELAY K21
208 P52M-7, E45 REAR LIGHTS TRACTOR
209 FRONT LEFT TURN SIGNAL DS39
210 TRAILER REAR RIGHT LIGHT RELAY K31
211 13/475, ID LIGHT LEFT TURN
212 TO 14/520
213 TURN SIGNAL FLASHER A1
REAR RIGHT LIGHT K22
214 FRONT RIGHT TURN SIGNAL DS42
215 STEERING COLUMN SWITCH S3
216 13/476 ID LIGHT RIGHT TURN
217 FROM REVERSE RELAY K25-87 4/67
218 DS45
219 BACKUP LIGHT DS45
E21 REAR LIGHTS NOT TRACTOR OR WRECKER
E28 WRECKER ONLY
E28 TRACTOR ONLY
E72, TL92 MTV LWB, MHE

200 TO CB73, CB74 4/70A
201 TO 14/520
CIRCUIT BREAKER CB44/15A
TO 10 TON HARNESS, JUMPER ONLY P74 10/280
202 FULL HAZARD WARNING SWITCH S5-22
REAR LEFT COMPOSITE LAMP DS37
REAR LEFT COMPOSITE LAMP DS37
TRAILER REAR LIGHT RELAY K30
E21 REAR LIGHTS NOT TRACTOR OR WRECKER
E28 REAR LIGHTS TRACTOR, E72 AND TL92 MTV LWB, MHE
204 P52M-5, E38 REAR LIGHTS TRACTOR
205 TO 10 TON HARNESS, JUMPER ONLY P61 10/282
REAR RIGHT COMPOSITE LAMP DS38
COMPOSITE LIGHT STOP AND TURN
E72 MTV LWB, MHE
207 REAR LEFT LIGHT RELAY K21
208 P52M-7, E45 REAR LIGHTS TRACTOR
209 FRONT LEFT TURN SIGNAL DS39
210 TRAILER REAR RIGHT LIGHT RELAY K31
211 13/475, ID LIGHT LEFT TURN
212 TO 14/520
213 TURN SIGNAL FLASHER A1
REAR RIGHT LIGHT K22
214 FRONT RIGHT TURN SIGNAL DS42
215 STEERING COLUMN SWITCH S3
216 13/476 ID LIGHT RIGHT TURN
217 FROM REVERSE RELAY K25-87 4/67
218 DS45
219 BACKUP LIGHT DS45
E21 REAR LIGHTS NOT TRACTOR OR WRECKER
E28 WRECKER ONLY
E28 TRACTOR ONLY
E72, TL92 MTV LWB, MHE

LIMITED RIGHTS STATEMENT:
A. THIS DRAWING CONTAINS PROPRIETARY AND CONFIDENTIAL INFORMATION OF STANLEY & STEVENSON SERVICES INC. SEAL, TRADE AND IS LOANED IN CONFIDENCE WITH THE UNDERSTANDING THAT IT WILL NOT BE REPRODUCED NOR USED FOR ANY PURPOSE EXCEPT THAT FOR WHICH IT IS LOANED AND IT SHALL BE RETURNED ON DEMAND.
B. THIS NOTICE SHALL BE MARKED ON ANY REPRODUCTION OF THESE DATA, IN WHOLE OR IN PART.

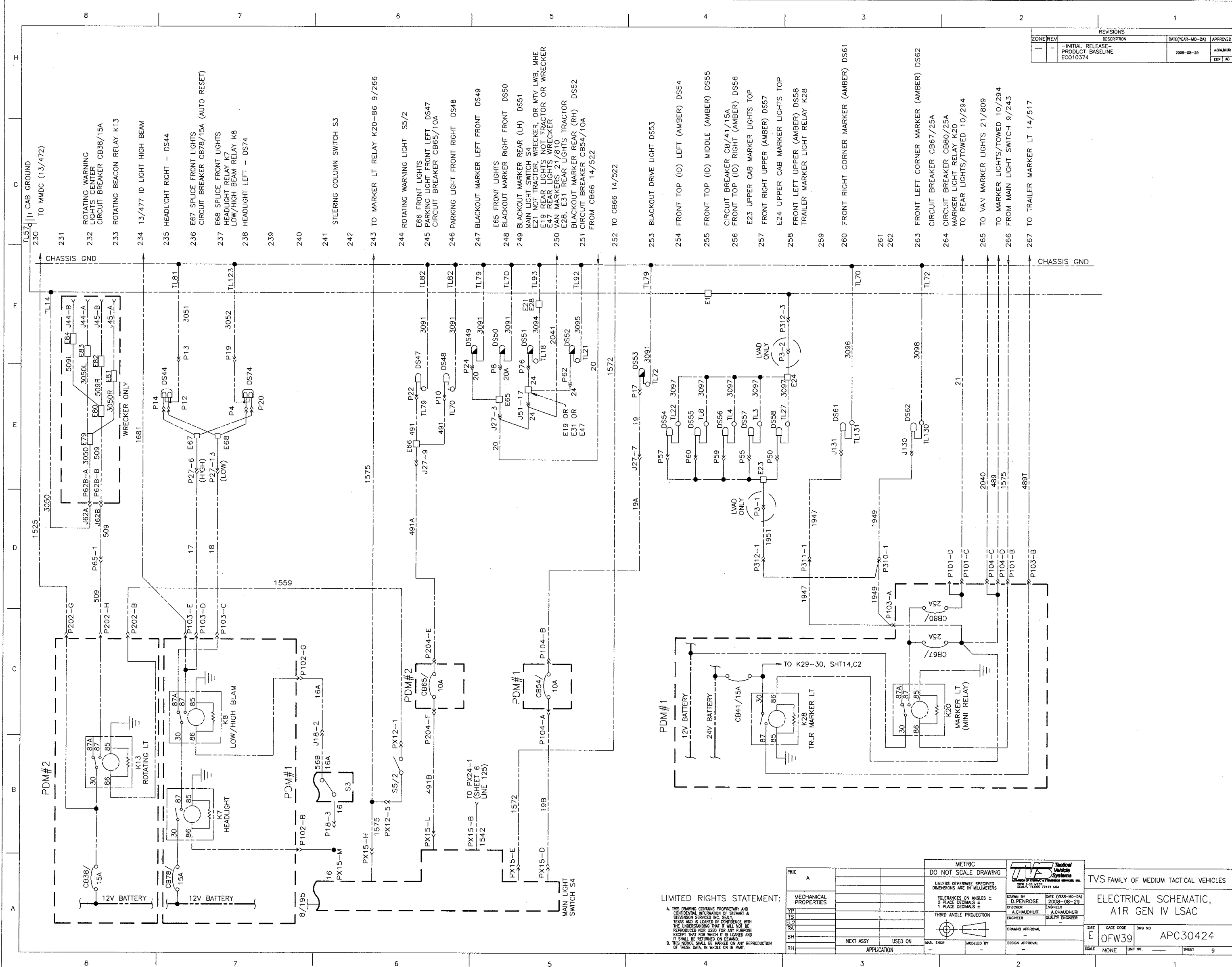
PHC	DESCRIPTION	DATE	BY
A	MECHANICAL PROPERTIES		
YF			
ELC			
RA			
EA			
BH			
RH			

MAIL ENGR	MODELLD BY	DESIGN APPROVAL

SIZE	DATE CODE	DWG NO
E	OFW39	APC30424

METRIC
DO NOT SCALE DRAWING
UNLESS OTHERWISE SPECIFIED
DIMENSIONS ARE IN MILLIMETERS
TOLERANCES ON ANGLES =
0 PLACE DECIMALS ±
1 PLACE DECIMALS ±
THIRD ANGLE PROJECTION

TVS FAMILY OF MEDIUM TACTICAL VEHICLES
ELECTRICAL SCHEMATIC,
A1R GEN IV LSAC
DRAWN BY: D. PENROSE
CHECKED BY: A. CHAUDHURI
ENGINEER: A. CHAUDHURI
QUALITY ENGINEER: A. CHAUDHURI
DATE (YEAR-MO-DA): 2008-08-29



REVISIONS		DATE (YEAR-MO-DA)	APPROVED
ZONE REV	DESCRIPTION	2008-08-29	ADAM/R
-	- INITIAL RELEASE - PRODUCT BASELINE ECU10374		ESP AC

UNLESS OTHERWISE SPECIFIED DIMENSIONS ARE IN MILLIMETERS

TOLERANCES ON ANGLES ± 0 PLACE DECIMALS ± 1 PLACE DECIMALS

THIRD ANGLE PROJECTION

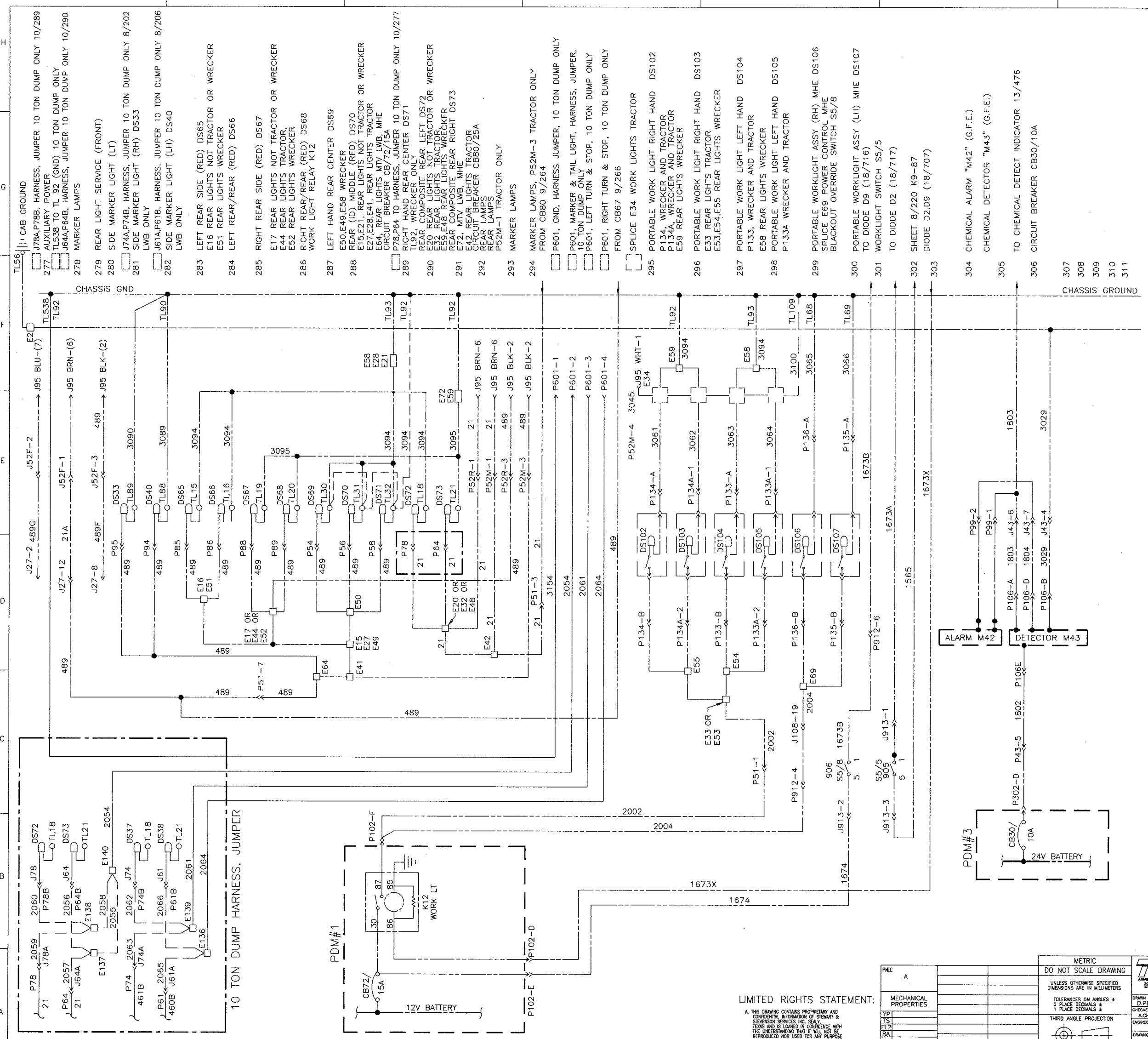
SCALE NONE UNIT WT. SHEET 9

PHIC		METRIC		TVS FAMILY OF MEDIUM TACTICAL VEHICLES	
DO NOT SCALE DRAWING		UNLESS OTHERWISE SPECIFIED DIMENSIONS ARE IN MILLIMETERS		ELECTRICAL SCHEMATIC, A1R GEN IV LSAC	
TOLERANCES ON ANGLES ± 0 PLACE DECIMALS ± 1 PLACE DECIMALS		THIRD ANGLE PROJECTION		DRAWN BY: D. PENROSE DATE (YEAR-MO-DA): 2008-08-29	
DRAWING APPROVAL		DESIGN APPROVAL		CHECKER: A. CHAUDHURI ENGINEER	
QUALITY ENGINEER		MODELED BY		QUALITY ENGINEER	
CASE CODE: OFW39		DWC NO: APC30424		SCALE: NONE UNIT WT. SHEET 9	

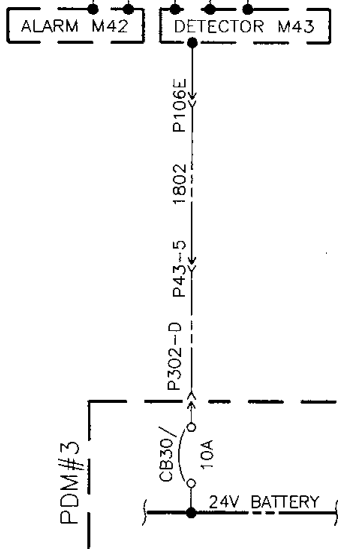
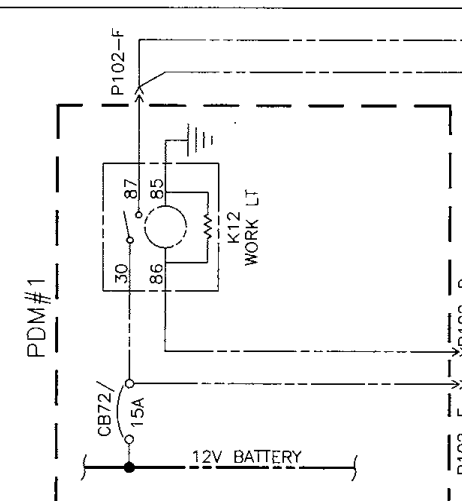
THIS DRAWING CONTAINS PROPRIETARY AND CONFIDENTIAL INFORMATION OF STEVENSON & STEVENSON SERVICES INC. RELAY, TRUCK AND IS LOANED IN CONFIDENCE WITH THE UNDERSTANDING THAT IT WILL NOT BE REPRODUCED FOR USE FOR ANY PURPOSE EXCEPT THAT FOR WHICH IT IS LOANED AND IT SHALL BE RETURNED ON DEMAND.

B. THIS NOTICE SHALL BE MARKED ON ANY REPRODUCTION OF THESE DATA, IN WHOLE OR IN PART.

REVISIONS				
ZONE	REV	DESCRIPTION	DATE(YEAR-MO-DA)	APPROVED
-	-	- INITIAL RELEASE - PRODUCT BASELINE ECO10374	2008-08-28	ADAMSON EDP AC



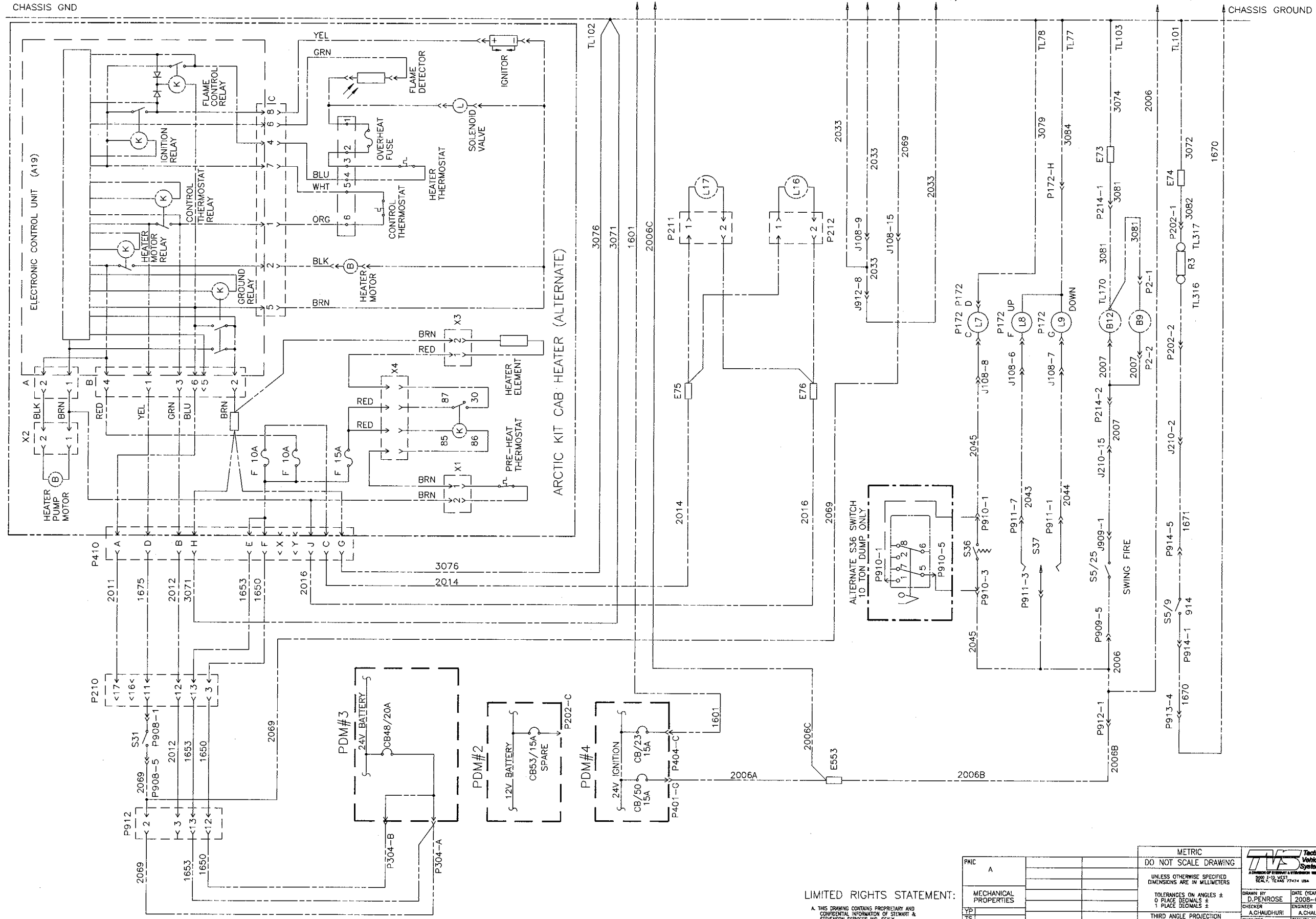
10 TON DUMP HARNESS, JUMPER



LIMITED RIGHTS STATEMENT:
A. THIS DRAWING CONTAINS PROPRIETARY AND CONFIDENTIAL INFORMATION OF SEANRY & SENSATION SERVICES, INC. SEANRY, TEXAS AND IS LOANED IN CONFIDENCE WITH THE UNDERSTANDING THAT IT WILL NOT BE REPRODUCED NOR USED FOR ANY PURPOSE EXCEPT THAT FOR WHICH IT IS LOANED. IF IT SHALL BE RETURNED ON DEMAND.
B. THIS NOTICE SHALL BE MARKED ON ANY REPRODUCTION OF THESE DATA, IN WHOLE OR IN PART.

PNC		METRIC		TVS FAMILY OF MEDIUM TACTICAL VEHICLES	
A		DO NOT SCALE DRAWING		ELECTRICAL SCHEMATIC, A1R GEN IV LSAC	
UNLESS OTHERWISE SPECIFIED DIMENSIONS ARE IN MILLIMETERS		TOLERANCES ON ANGLES ± 0 PLACE DECIMALS + 1 PLACE DECIMALS ±		DRAWN BY: D. FENROUSE ENGINEER	
THIRD ANGLE PROJECTION		DATE FROM: 08-29 2008-08-29		CHECKED BY: A. CHAUDHURI ENGINEER	
NEXT ASSY		USED ON		DRAWING APPROVAL	
APPLICATION		SCALE		DESIGN APPROVAL	
SCALE NONE		UNIT WT.		SHEET 10	
CASE CODE OFW39		DWG NO APC30424			

ZONE		REV	DESCRIPTION	DATE (YEAR-MO-DA)	APPROVED
-		-	INITIAL RELEASE - PRODUCT BASELINE EC010374	2008-08-29	ADMONR
-		-			EDP AC



- 350 ARCTIC KIT ECU A19
- 351 ARCTIC KIT HEATER PUMP MOTOR B
- 352 ARCTIC KIT SWITCH S31
- 353
- 354
- 355
- 356
- 357
- 358
- 359 ARCTIC KIT HEATER MOTOR B
- 360 CIRCUIT BREAKER CB48/20A
- 361 ARCTIC KIT RELAY K
- 362
- 363
- 364
- 365
- 366
- 367 TO HVAC PX25-1 8/186
- 368 TO HVAC P928-1 8/187
- 369 CIRCUIT BREAKER CB50/15A
- 370 L17 ARCTIC KIT SOLENOID N.O.
- 371
- 372
- 373 L16 ARCTIC KIT RECIRCULATING SOLENOID N.C.
- 374
- 375 SHEET 15/575
- 375 SHEET 17/643
- 375A SHEET 17/643, 15/576
- ALTERNATE SWITCH S36, TO TON DUMP ONLY FROM K29-87 14/523
- 376 TAIL GATE RELEASE SWITCH (S36);SOL(L7)
- 377 SWITCH (S37), DUMP UP/DN SOL.(L8,L9)
- 378 SWING FIRE HEATER B12 (ALT)
- E73, ARCTIC KIT ONLY SWING FIRE PUMP B9 (ALT)
- 379 SWING FIRE SWITCH S5/25 (ALT)
- 380 SEE 15/576, 21/810
- E74, ARCTIC KIT ONLY FUEL PREHEAT ELEMENT R3 (ALT)
- FUEL PREHEAT S5/9 (ALT)
- TO CB 45 6/143

H
G
F
E
D
C
B
A

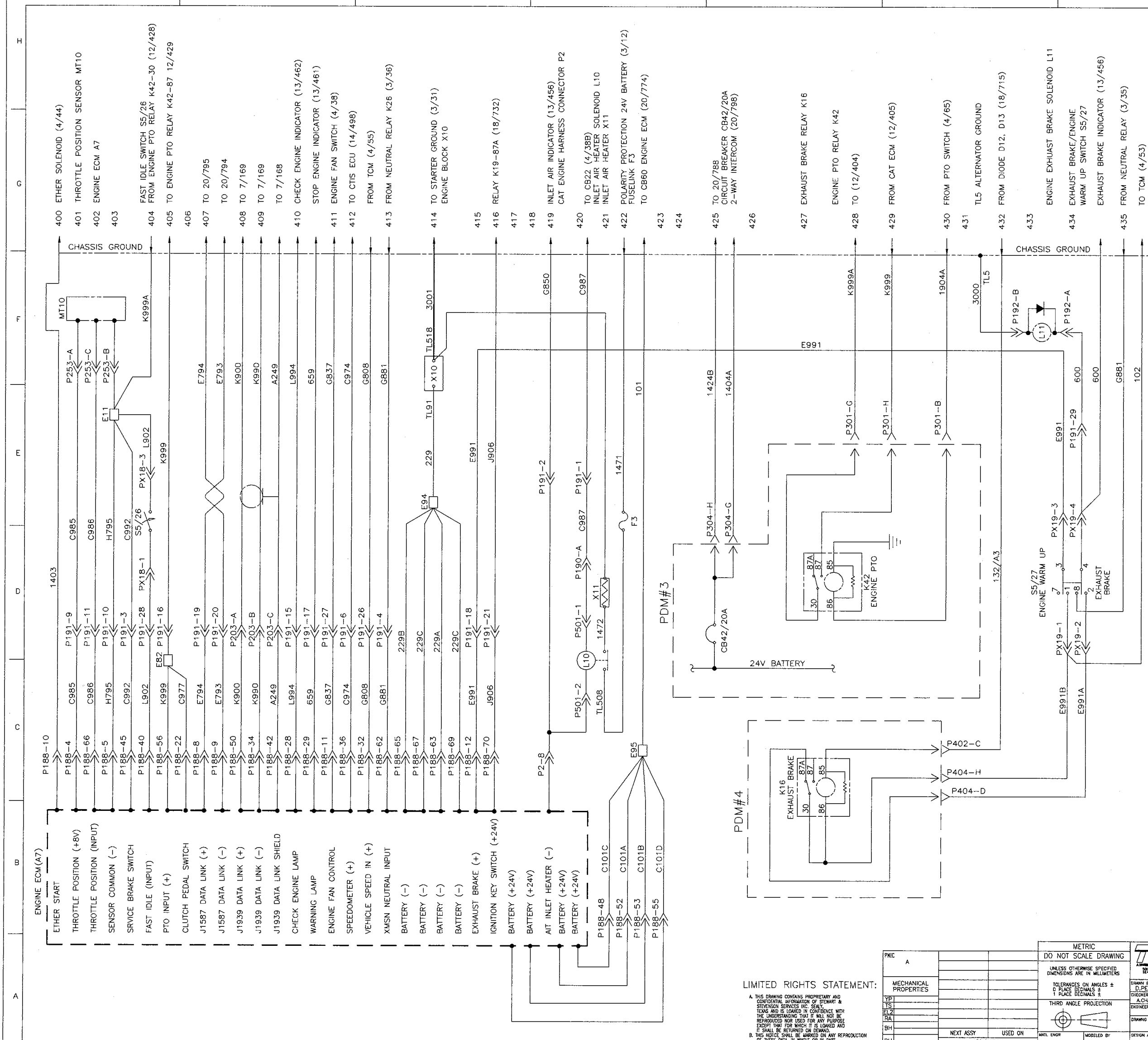
8
7
6
5
4
3
2
1

LIMITED RIGHTS STATEMENT:
 A. THIS DRAWING CONTAINS PROPRIETARY AND CONFIDENTIAL INFORMATION OF STANLEY & SHERIDAN SERVICES INC. (SS&S), TEXAS AND IS LOANED IN CONFIDENCE WITH THE UNDERSTANDING THAT IT WILL NOT BE REPRODUCED NOR USED FOR ANY PURPOSE OTHER THAN THAT FOR WHICH IT IS LOANED AND IT SHALL BE RETURNED ON REQUEST.
 B. THIS NOTICE SHALL BE MARKED ON ANY REPRODUCTION OF THESE DATA, IN WHOLE OR IN PART.

PNC A		METRIC	
DO NOT SCALE DRAWING		UNLESS OTHERWISE SPECIFIED DIMENSIONS ARE IN MILLIMETERS	
TOLERANCES ON ANGLES ± 0 DEGREE DECIMALS + 1 PLACE DECIMALS ±		THIRD ANGLE PROJECTION	
YES	NO	DATE (YEAR-MO-DA)	2008-08-29
TS		DESIGNED BY	D. PENROSE
ET		CHECKED BY	A. CHAUDHURI
RA		ENGINEER	A. CHAUDHURI
BH		QUALITY ENGINEER	
RH		DESIGN APPROVAL	
APPLICATION		SCALE	NONE
NEXT ASSY USED ON		LIMIT	WT.
		DATE	
		SHEET	11

TVS FAMILY OF MEDIUM TACTICAL VEHICLES		
ELECTRICAL SCHEMATIC, A1R GEN IV LSAC		
SIZE	E	APC30424
CAGE CODE	OFW39	

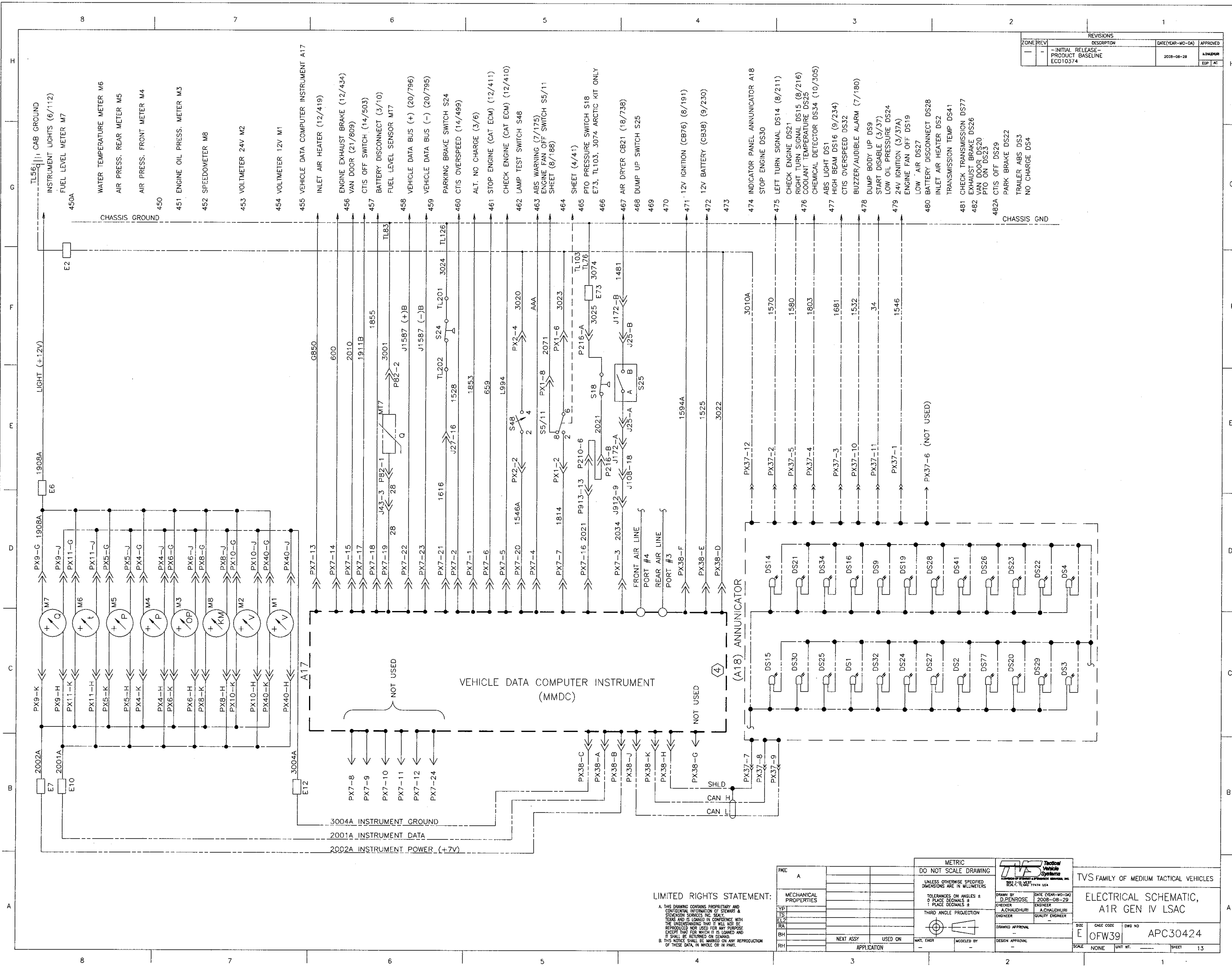
REVISIONS				
ZONE	REV	DESCRIPTION	DATE (YEAR-MO-DA)	APPROVED
-	-	- INITIAL RELEASE - PRODUCT BASELINE ECOT10374	2008-08-29	AACHADURI EOP AC



LIMITED RIGHTS STATEMENT:
 A. THIS DRAWING IS THE PROPERTY OF STEWART & STEVENSON SERVICES INC. (SS/ST) AND IS LOANED TO YOU IN CONFIDENCE WITH THE UNDERSTANDING THAT IT WILL NOT BE REPRODUCED OR USED FOR ANY PURPOSE EXCEPT THAT FOR WHICH IT IS LOANED AND IT SHALL BE RETURNED ON DEMAND.
 B. THIS NOTICE SHALL BE MARKED ON ANY REPRODUCTION OF THIS DATA, IN WHOLE OR IN PART.

METRIC		Tactical Vehicle Systems	
DO NOT SCALE DRAWING			
UNLESS OTHERWISE SPECIFIED DIMENSIONS ARE IN MILLIMETERS			
TOLERANCES ON ANGLES ± 0 PLACE DECIMALS ± 1 PLACE REMAINDERS ±			
THIRD ANGLE PROJECTION			
DRAWING APPROVAL		DATE (YEAR-MO-DA)	
DESIGN APPROVAL		2008-08-29	
DRAWN BY		ENGINEER	
D.PENROSE		A.CHALDHURI	
CHECKED BY		QUALITY ENGINEER	
A.CHALDHURI		A.CHALDHURI	
DATE (YEAR-MO-DA)		SCALE	
2008-08-29		NONE	
DRAWING APPROVAL		SHEET	
DESIGN APPROVAL		12	

TVS FAMILY OF MEDIUM TACTICAL VEHICLES			
ELECTRICAL SCHEMATIC, A1R GEN IV LSAC			
SIZE	CAGE CODE	DWG NO	
E	OFW39	APC30424	
SCALE	NONE	DWG WT.	SHEET
			12

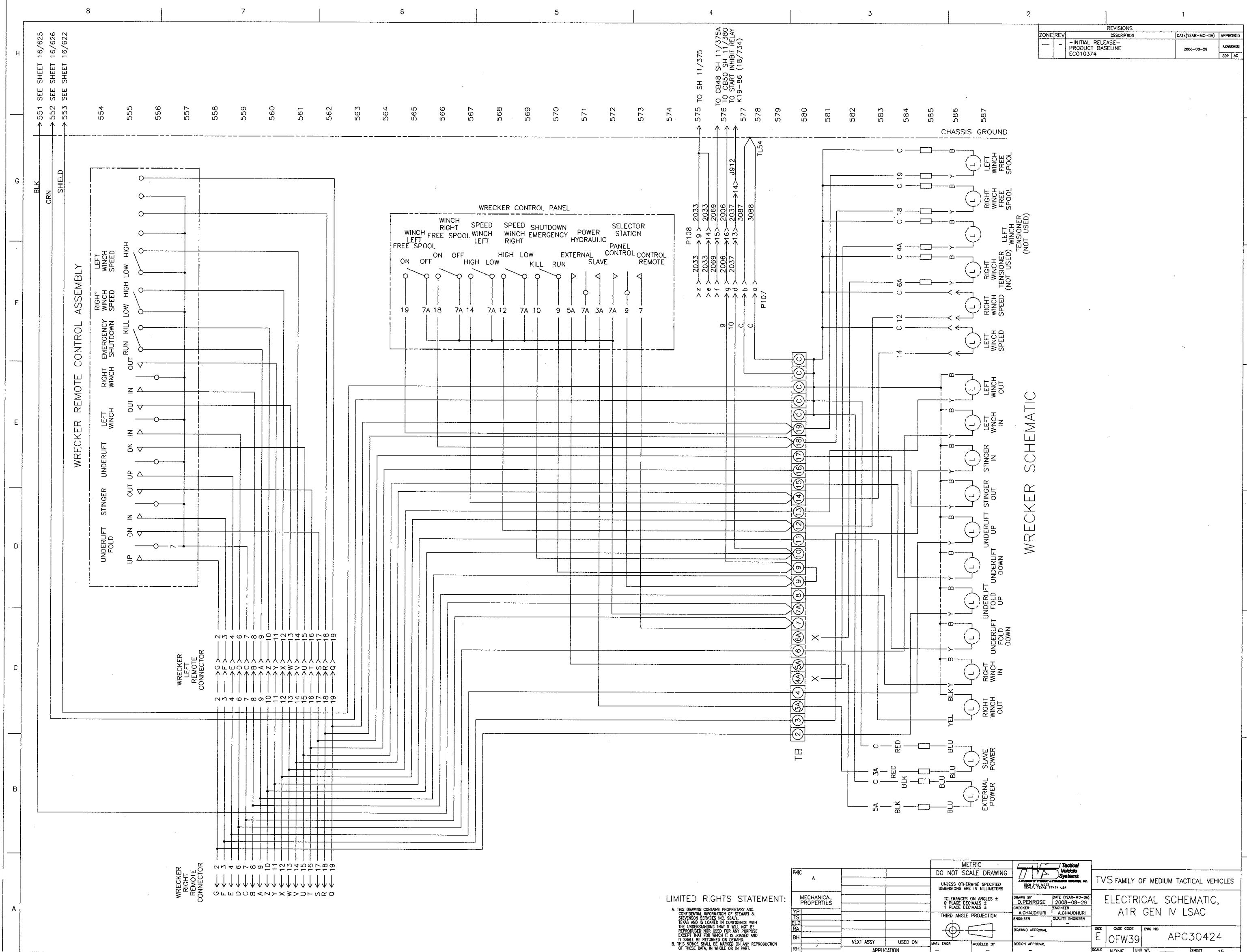


ZONE REV		REVISIONS	DATE (YEAR-MO-DA)	APPROVED
-	-	INITIAL RELEASE - PRODUCT BASELINE ECC10374	2008-08-29	LDK/DMR
-	-			EDP/AC

LIMITED RIGHTS STATEMENT:
 A. THIS DRAWING CONTAINS PROPRIETARY AND CONFIDENTIAL INFORMATION OF STEWART & STEVENSON SERVICES INC. SEALS, TAPS AND IS LOANED IN CONFIDENCE WITH THE UNDERSTANDING THAT IT WILL NOT BE REPRODUCED, COPIED, OR USED FOR ANY PURPOSE EXCEPT THAT FOR WHICH IT IS LOANED AND IT SHALL BE RETURNED TO OR DESTROYED BY THE BORROWER.
 B. THIS NOTICE SHALL BE MARKED ON ANY REPRODUCTION OF THESE DATA, IN WHOLE OR IN PART.

FNC A		METRIC DO NOT SCALE DRAWING UNLESS OTHERWISE SPECIFIED DIMENSIONS ARE IN MILLIMETERS				TVS FAMILY OF MEDIUM TACTICAL VEHICLES	
MECHANICAL PROPERTIES		TOLERANCES ON ANGLES ± 0 PLACE DECIMALS ± 1 PLACE DECIMALS ±		DRAWN BY: D. PENROSE CHECKER: A. CHAUDHURI ENGINEER: A. CHAUDHURI QUALITY ENGINEER:		ELECTRICAL SCHEMATIC, A1R GEN IV LSAC	
Y/P		THIRD ANGLE PROJECTION		DATE (YEAR-MO-DA) 2008-08-29		SIZE: E	
L/S				DRAWING APPROVAL		CAGE CODE: OFW39	
S/L		NEXT ASSY		DESIGN APPROVAL		DWS NO: APC30424	
RA		USED ON		SCALE: NONE		SHEET: 13	
BH		APPLICATION		UNIT WT:			
RH							

REVISIONS				
ZONE	REV	DESCRIPTION	DATE (YEAR-MO-DA)	APPROVED
-	-	- INITIAL RELEASE - PRODUCT BASELINE ECC10374	2008-08-29	ACK/OUR EOP/AC

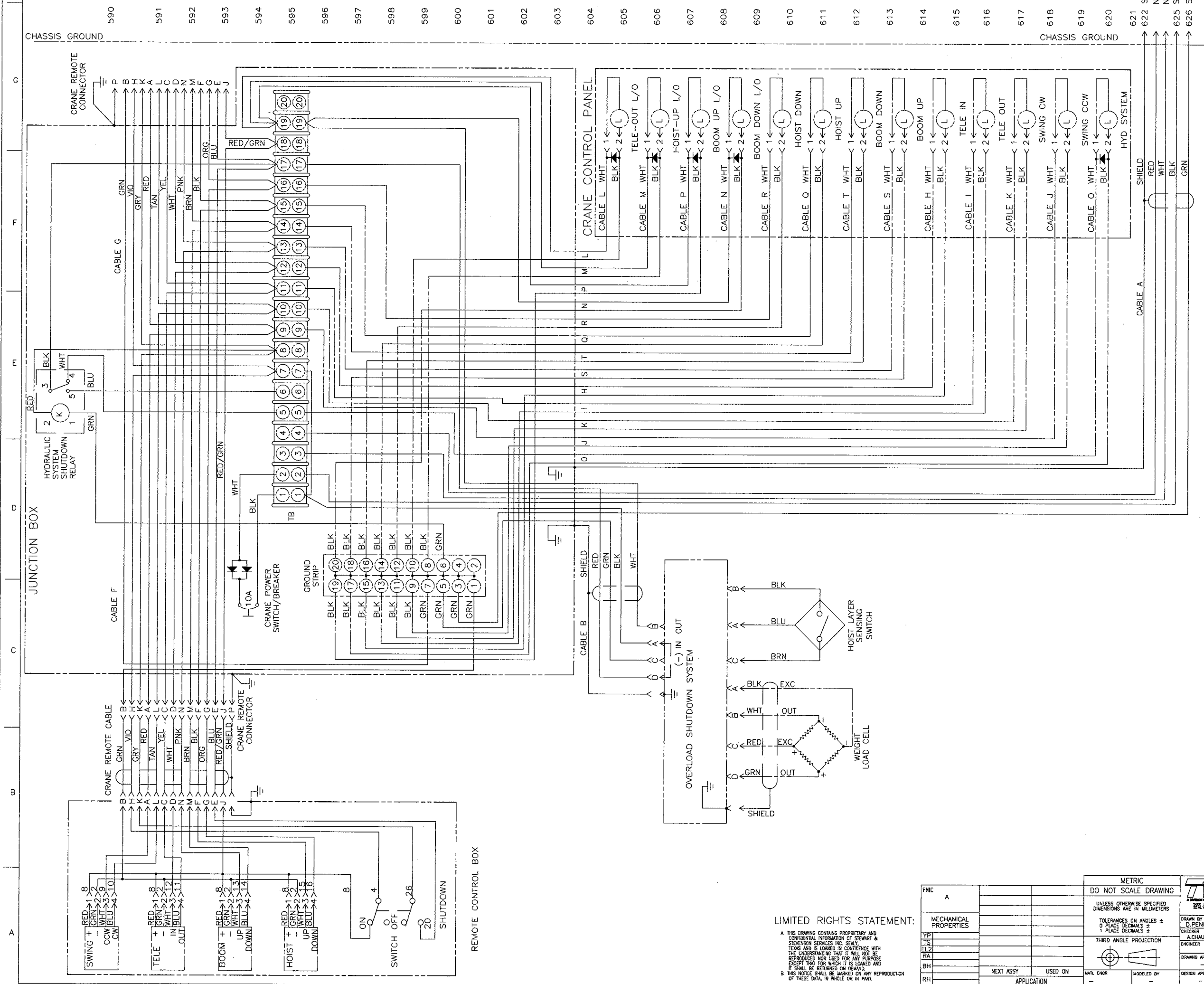


WRECKER SCHEMATIC

LIMITED RIGHTS STATEMENT:
 A. THIS DRAWING CONTAINS PROPRIETARY AND CONFIDENTIAL INFORMATION OF STEMMER & STEVENSON SERVICES INC. (SSSI) AND IS LOANED IN CONFIDENCE WITH THE UNDERSTANDING THAT IT WILL NOT BE REPRODUCED NOR USED FOR ANY PURPOSE EXCEPT THAT FOR WHICH IT IS LOANED AND IT SHALL BE RETURNED ON DEMAND.
 B. THIS NOTICE SHALL BE MARKED ON ANY REPRODUCTION OF THESE DATA, IN WHOLE OR IN PART.

PHIC A MECHANICAL PROPERTIES TYP TIS ELA RA BH RH	NEXT ASSY USED ON APPLICATION	METRIC DO NOT SCALE DRAWING UNLESS OTHERWISE SPECIFIED DIMENSIONS ARE IN MILLIMETERS TOLERANCES ON ANGLES ± 0° PLACE DECIMALS 1/16° THIRD ANGLE PROJECTION	TMS Technical Services 2001 W. WEST SEALY, TEXAS 77474 USA	TVS FAMILY OF MEDIUM TACTICAL VEHICLES ELECTRICAL SCHEMATIC, A1R GEN IV LSAC
	DRAWN BY: D. PENROSE CHECKER: A. CHAUDHURI ENGINEER: A. CHAUDHURI QUALITY ENGINEER:	DATE (YEAR-MO-DA): 2008-08-29	SIZE: E CAGE CODE: OFW39 SCALE: NONE	DWG NO: APC30424 SHEET: 15

REVISIONS		DATE (YEAR-MO-DA)	APPROVED
ZONE REV	DESCRIPTION		
-	- INITIAL RELEASE - PRODUCT BASELINE ECO10374	2008-08-29	ADK/MSB EPT/AC



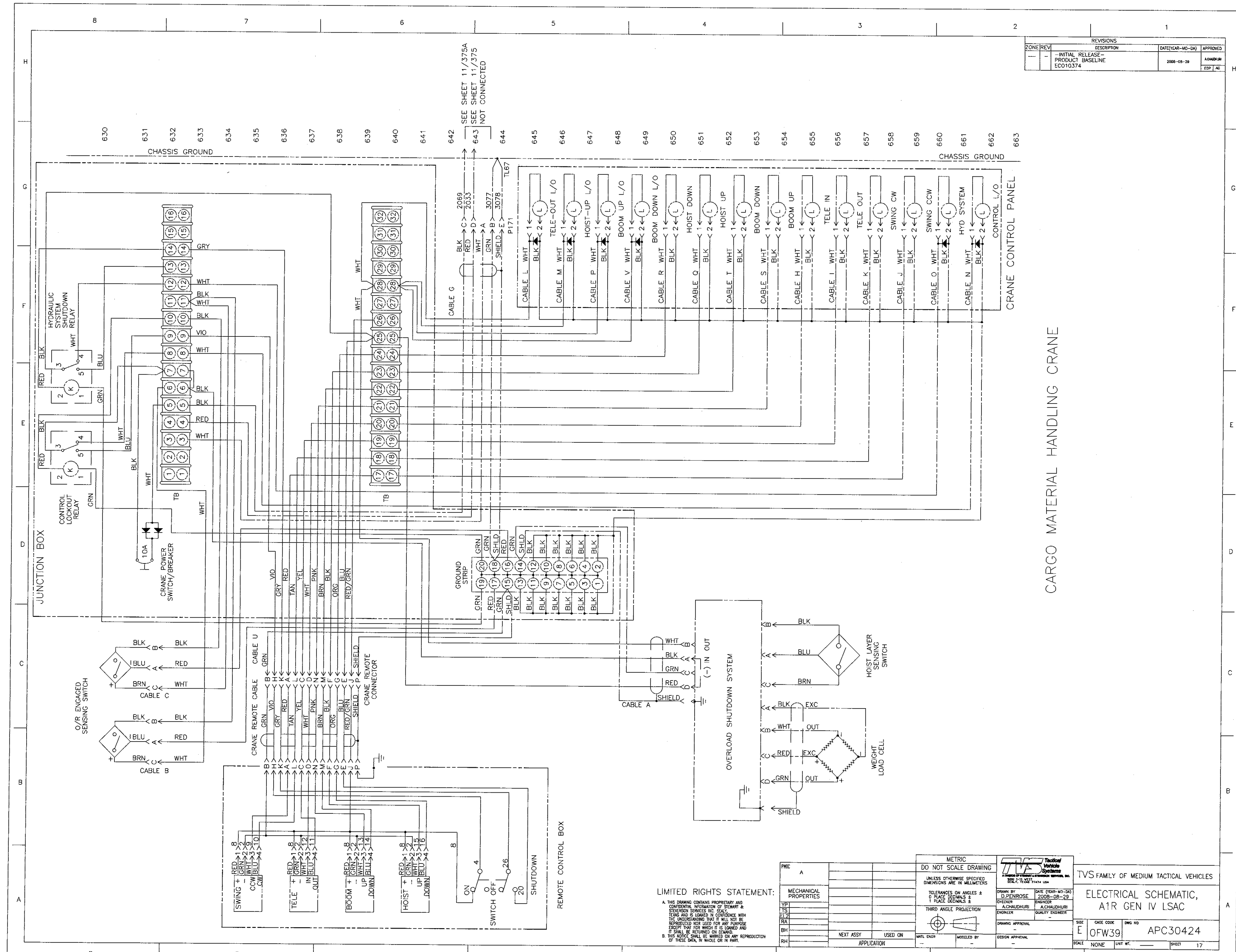
WRECKER MATERIAL HANDLING CRANE

LIMITED RIGHTS STATEMENT:

A. THIS DRAWING CONTAINS PROPRIETARY AND CONFIDENTIAL INFORMATION OF STEWART & SODENSON SURVICES INC. SUCH INFORMATION IS LOANED IN CONFIDENCE WITH THE UNDERSTANDING THAT IT WILL NOT BE REPRODUCED NOR USED FOR ANY PURPOSE EXCEPT THAT FOR WHICH IT IS LOANED AND IT SHALL BE RETURNED ON DEMAND. B. THIS NOTICE SHALL BE MARKED ON ANY REPRODUCTION OF THESE DATA, IN WHOLE OR IN PART.

<p>DO NOT SCALE DRAWING</p> <p>UNLESS OTHERWISE SPECIFIED DIMENSIONS ARE IN MILLIMETERS</p> <p>THIRD ANGLE PROJECTION</p>		<p>TVS FAMILY OF MEDIUM TACTICAL VEHICLES</p> <p>ELECTRICAL SCHEMATIC, A1R GEN IV LSAC</p>	
<p>DATE: 2008-08-29</p> <p>DESIGNER: A. CHAUDHURI</p> <p>CHECKER: A. CHAUDHURI</p> <p>ENGINEER: A. CHAUDHURI</p> <p>QUALITY ENGINEER: A. CHAUDHURI</p>	<p>SCALE: NONE</p> <p>UNIT: WT.</p> <p>SHEET: 16</p>	<p>SIZE: E</p> <p>CAGE CODE: OFW39</p> <p>DWG NO: APC30424</p>	<p>DATE: 2008-08-29</p> <p>DESIGNER: A. CHAUDHURI</p> <p>CHECKER: A. CHAUDHURI</p> <p>ENGINEER: A. CHAUDHURI</p> <p>QUALITY ENGINEER: A. CHAUDHURI</p>

REVISIONS				
ZONE	REV	DESCRIPTION	DATE (YEAR-MO-DA)	APPROVED
		INITIAL RELEASE - PRODUCT BASELINE ECD10374	2008-08-29	AKONDHUR
				ESP / JC



CARGO MATERIAL HANDLING CRANE

LIMITED RIGHTS STATEMENT:

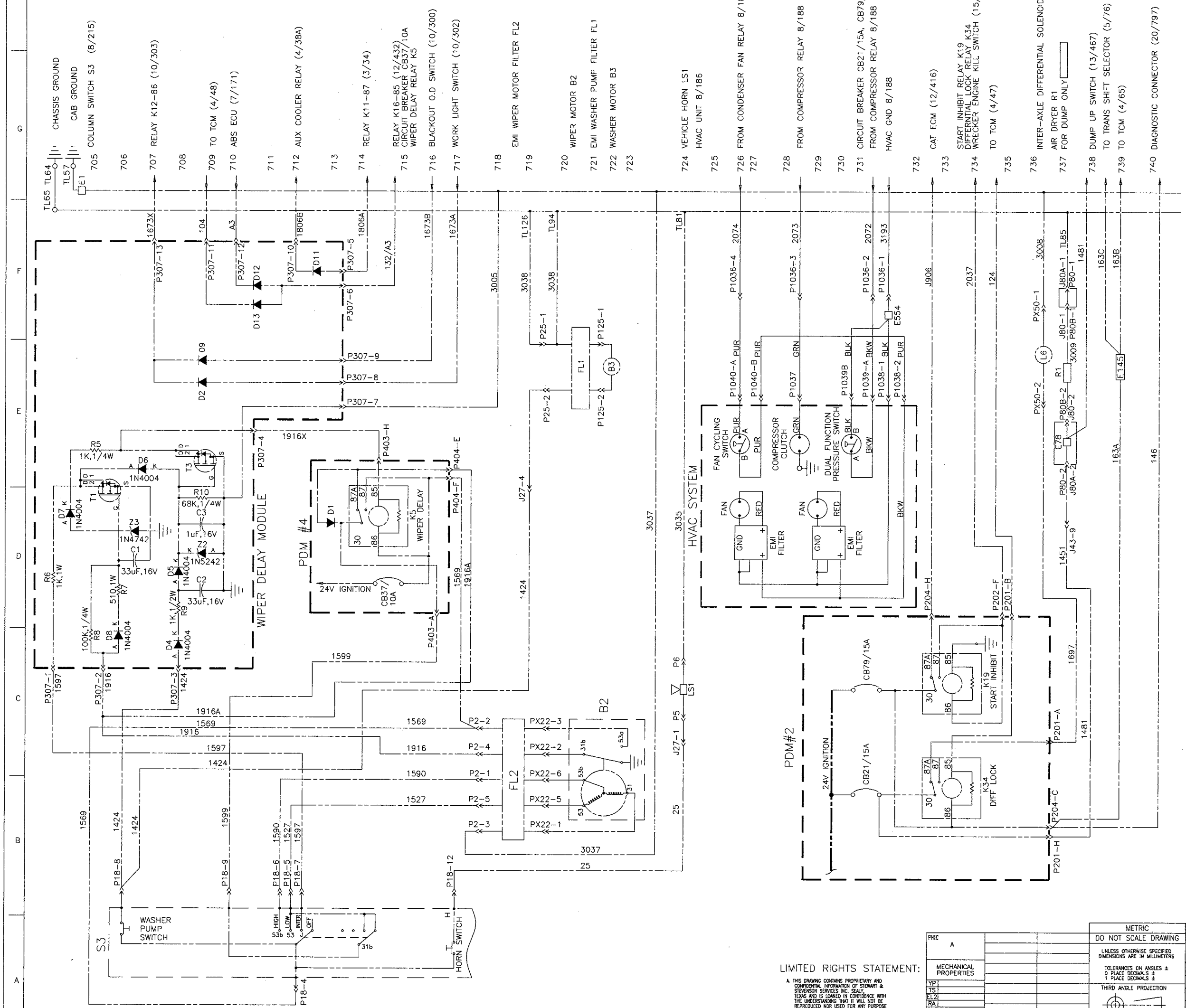
A. THIS DRAWING CONTAINS PROPRIETARY AND CONFIDENTIAL INFORMATION OF STANLEY & STEVENSON SERVICES INC. SEAL, TEXAS AND IS LOANED IN CONFIDENCE WITH THE UNDERSTANDING THAT IT WILL NOT BE REPRODUCED NOR USED FOR ANY PURPOSE EXCEPT THAT FOR WHICH IT IS LOANED AND IT SHALL BE RETURNED ON DEMAND.
 B. THIS NOTICE SHALL BE MAILED ON ANY REPRODUCTION OF THESE DATA IN WHOLE OR IN PART.

PHIC	MECHANICAL PROPERTIES	YPT	TTS	ELP	RA	BH	RH
A							

METRIC		DO NOT SCALE DRAWING	
UNLESS OTHERWISE SPECIFIED DIMENSIONS ARE IN MILLIMETERS			
TOLERANCES ON ANGLES ± 0 PLACE DECIMALS ± 1 PLACE DECIMALS ±			
THIRD ANGLE PROJECTION			
DRAWN BY: D. PENROSE		DATE (YEAR-MO-DA): 2008-08-29	
CHECKED BY: A. CHAUDHURI		ENGINEER: A. CHAUDHURI	
DRAWING APPROVAL:		QUALITY ENGINEER:	
DESIGN APPROVAL:			

TVS FAMILY OF MEDIUM TACTICAL VEHICLES			
ELECTRICAL SCHEMATIC, A1R GEN IV LSAC			
SIZE: E	CODE: OFW39	DWG NO: APC30424	
SCALE: NONE	UNIT: INCH	SHEET: 17	

ZONE REV		REVISIONS		DATE (YR-MO-DA)	APPROVED
-	-	-	-	2008-06-29	AC
-		- INITIAL RELEASE - - PRODUCT BASELINE EC010374			EDP AC

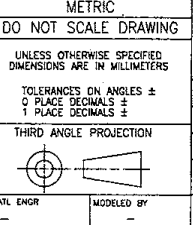


8
7
6
5
4
3
2
1

H
G
F
E
D
C
B
A

LIMITED RIGHTS STATEMENT:
 A. THIS DRAWING CONTAINS PROPRIETARY AND CONFIDENTIAL INFORMATION OF STEWAR & STEVENSON SERVICES, INC. (SSS). THIS DRAWING IS LOANED IN CONFIDENCE WITH THE UNDERSTANDING THAT IT WILL NOT BE REPRODUCED NOR USED FOR ANY PURPOSE EXCEPT THAT FOR WHICH IT IS LOANED AND IT SHALL BE RETURNED ON DEMAND.
 B. THIS NOTICE SHALL BE MAINTAINED ON ANY REPRODUCTION OF THESE DATA IN WHOLE OR IN PART.

PHIC	A		
MECHANICAL PROPERTIES			
YIP			
YIS			
EL2			
RA			
BH			
RH			
	NEXT ASSY	USED ON	
	APPLICATION		

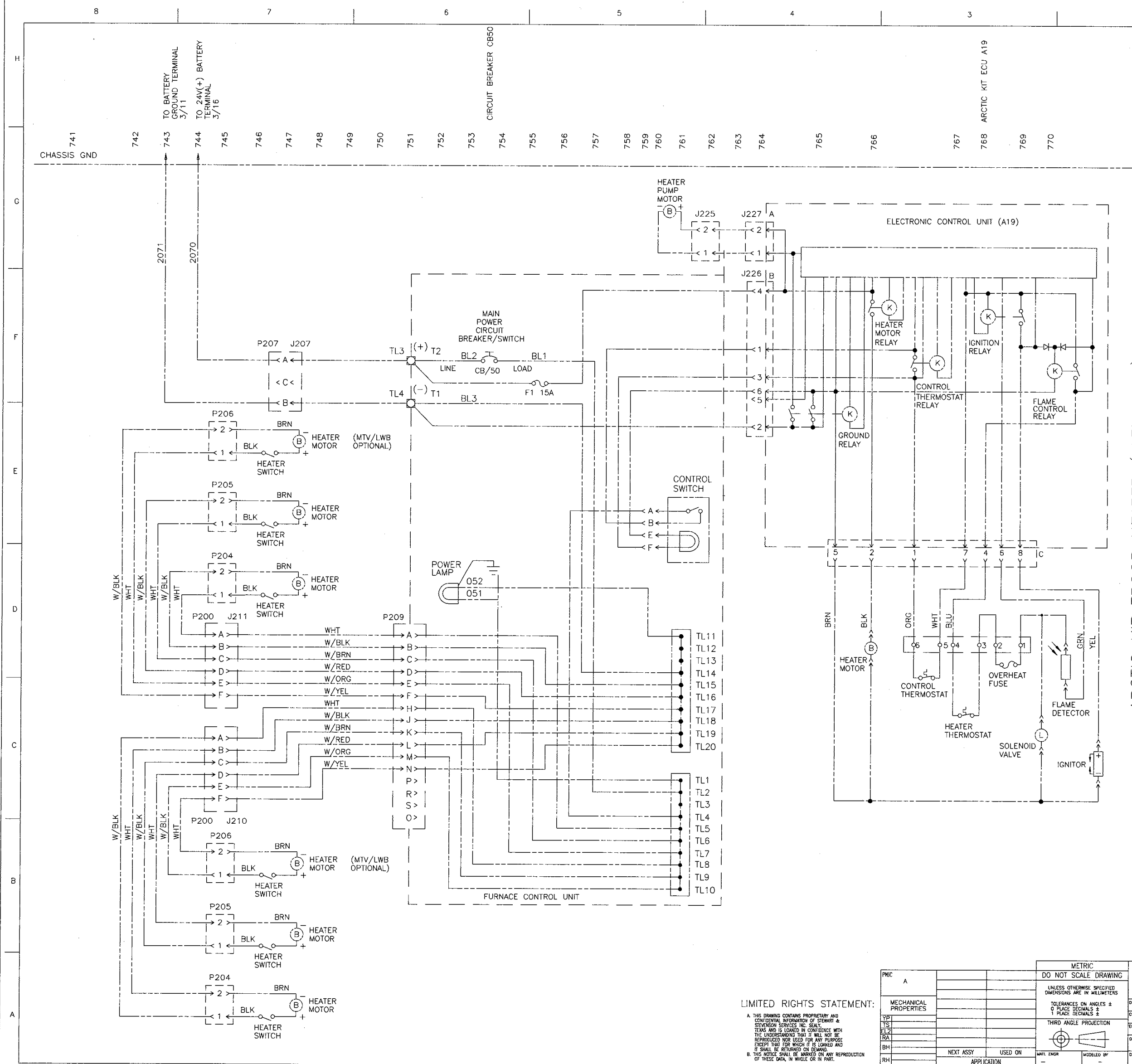


METRIC
 DO NOT SCALE DRAWING
 UNLESS OTHERWISE SPECIFIED DIMENSIONS ARE IN MILLIMETERS
 TOLERANCES ON ANGLES ±
 0 PLACE REMAINS ±
 1 PLACE DECIMALS ±
 THIRD ANGLE PROJECTION

TVS FAMILY OF MEDIUM TACTICAL VEHICLES	
ELECTRICAL SCHEMATIC, A1R GEN IV LSAC	
SIZE E	CAGE CODE OFW39
SCALE NONE	DWG NO APC30424
UNIT WT.	SHEET 18

DATE (YR-MO-DA) 2008-06-29
 DRAWN BY D PENROSE
 CHECKER A CHAUDHURI
 ENGINEER A CHAUDHURI
 QUALITY ENGINEER

REVISIONS		DATE (YEAR-MO-DA)	APPROVED
ZONE	REV	DESCRIPTION	
-	-	- INITIAL RELEASE - PRODUCT BASELINE ECO10374	
		2008-08-29	ADAMUS TOP AC



ARCTIC KIT TROOP HEATER (ALTERNATE)

LIMITED RIGHTS STATEMENT:

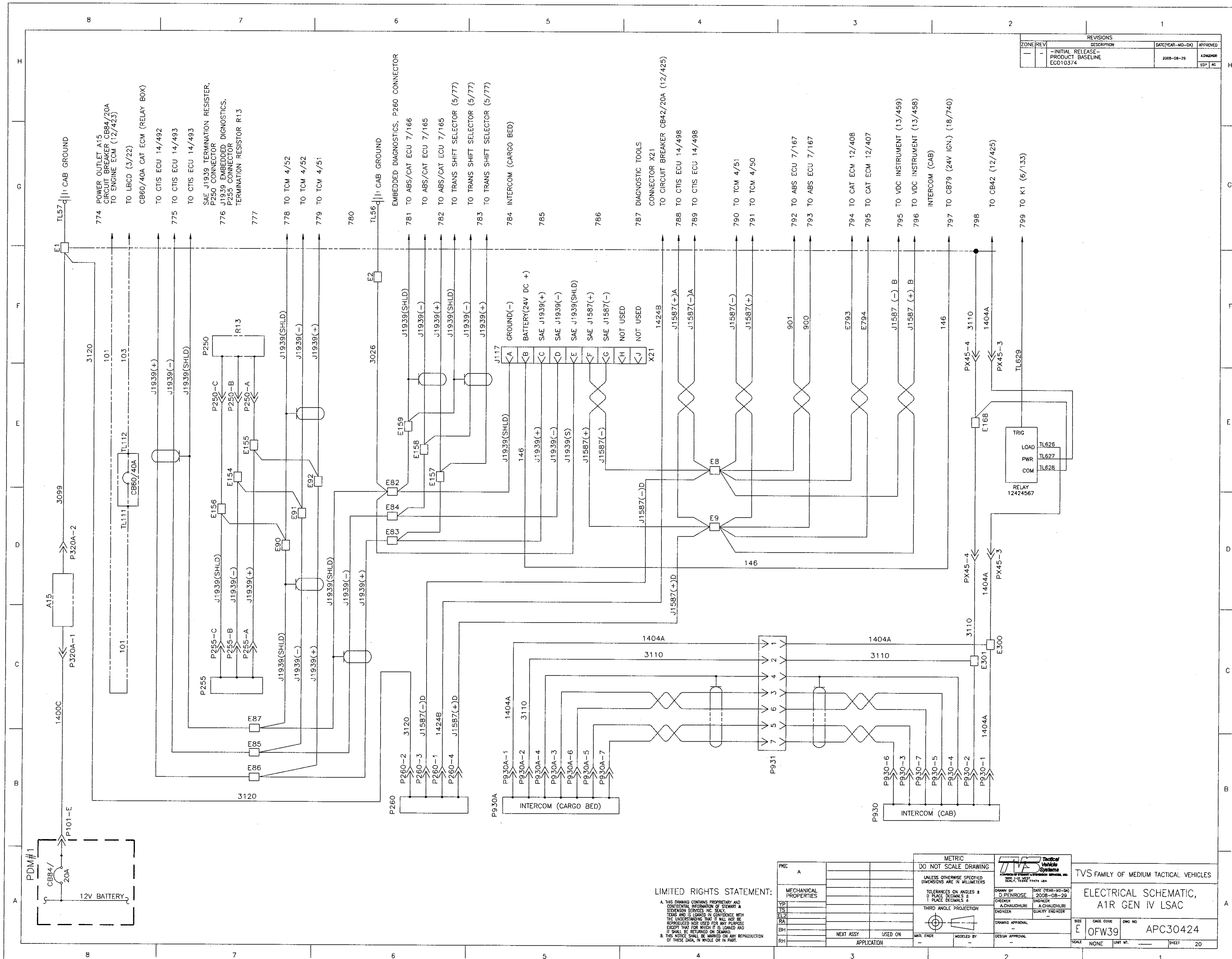
A. THIS DRAWING CONTAINS PROPRIETARY AND CONFIDENTIAL INFORMATION OF STEARNS & SPENCER SERVICES INC. SALES, REPAIR AND IS LOANED IN CONFIDENCE WITH THE UNDERSTANDING THAT IT WILL NOT BE REPRODUCED NOR USED FOR ANY PURPOSE EXCEPT THAT FOR WHICH IT IS LOANED AND IT SHALL BE RETURNED ON DEMAND.
B. THIS NOTICE SHALL BE MARRIED ON ANY REPRODUCTION OF THESE DATA, IN WHOLE OR IN PART.

PHIC	A		
MECHANICAL PROPERTIES			
TEST			
TS			
EL2			
RA			
BH			
RH			
	NEXT ASSY	USED ON	APPLICATION

METRIC		DO NOT SCALE DRAWING	
UNLESS OTHERWISE SPECIFIED DIMENSIONS ARE IN MILLIMETERS			
TOLERANCES ON ANGLES ±		TOLERANCES ON ANGLES ±	
0 PLACE DECIMALS ±		1 PLACE DECIMALS ±	
THIRD ANGLE PROJECTION		THIRD ANGLE PROJECTION	
DRAWN BY: I.D. PENROSE		DATE (YEAR-MO-DA): 2008-08-29	
CHECKER: A. CHAUDHURI		ENGINEER: A. CHAUDHURI	
ENGINEER: A. CHAUDHURI		QUALITY ENGINEER: A. CHAUDHURI	
DRAWING APPROVAL: _____		DESIGN APPROVAL: _____	

TVS FAMILY OF MEDIUM TACTICAL VEHICLES			
ELECTRICAL SCHEMATIC, A1R GEN IV LSAC			
SIZE	CAGE CODE	ENG NO	
E	OFW39	APC30424	
SCALE	NONE	SHEET	19

REVISIONS				
ZONE	REV	DESCRIPTION	DATE (YEAR-MO-DA)	APPROVED
-	-	- INITIAL RELEASE - PRODUCT BASELINE ECC010374	2008-08-29	ADW/AR



LIMITED RIGHTS STATEMENT:

A. THIS DRAWING CONTAINS PROPRIETARY AND CONFIDENTIAL INFORMATION OF STEARNS & STEARNS SERVICES INC. (SS&S). THIS DRAWING IS LOANED TO YOU IN CONFIDENCE WITH THE UNDERSTANDING THAT IT WILL NOT BE REPRODUCED NOR USED FOR ANY PURPOSE EXCEPT THAT FOR WHICH IT IS LOANED AND IT SHALL BE RETURNED ON DEMAND.

B. THIS NOTICE SHALL BE MARKED ON ANY REPRODUCTION OF THESE DATA, IN WHOLE OR IN PART.

PMIC	A		
MECHANICAL PROPERTIES			
VP			
YS			
EL2			
RA			
EH			
RH			
	NEXT ASSY	USED ON	
	APPLICATION		

METRIC

DO NOT SCALE DRAWING

UNLESS OTHERWISE SPECIFIED DIMENSIONS ARE IN MILLIMETERS

TOLERANCES ON ANGLES ±
D PLACE DEGREES
PLACE DECIMALS ±

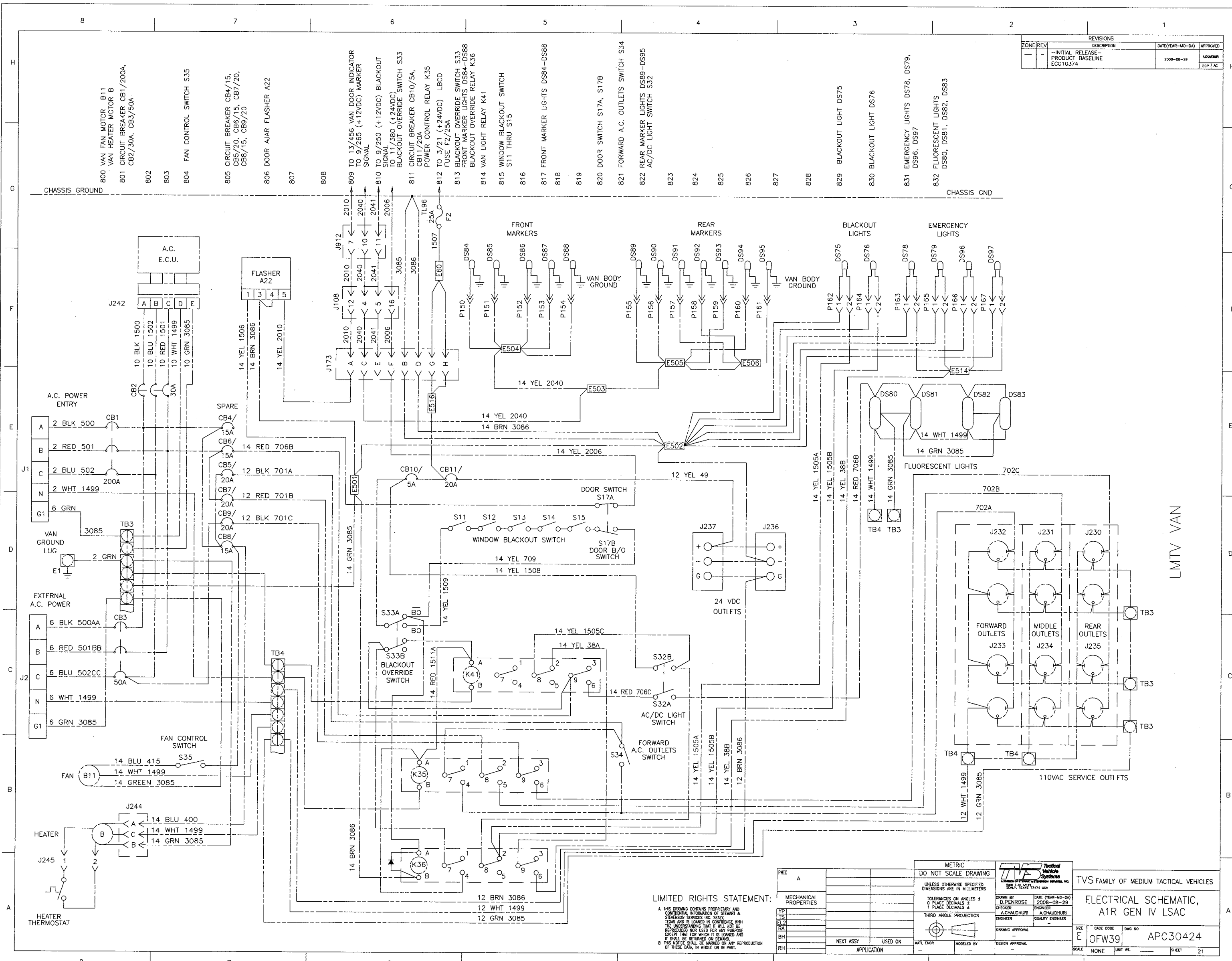
THIRD ANGLE PROJECTION

WAR. ENGR. MODELED BY

DESIGN APPROVAL

 <small>Technical Vehicle Systems</small>	DRAWN BY: D. PENROSE CHECKER: A. CHAUDHURI ENGINEER: A. CHAUDHURI QUALITY ENGINEER:
DATE (YEAR-MO-DA): 2008-08-29	SCALE: NONE

TVS FAMILY OF MEDIUM TACTICAL VEHICLES		
ELECTRICAL SCHEMATIC, A1R GEN IV LSAC		
SIZE: E	CAGE CODE: OFW39	DWG NO: APC30424
SCALE: NONE	UNIT WT.:	SHEET: 20



REVISIONS			
ZONE	REV	DESCRIPTION	DATE (YEAR-MO-DA)
-	1	INITIAL RELEASE PRODUCT BASELINE EC010374	2008-08-28
			APPROVED
			EDP JAC

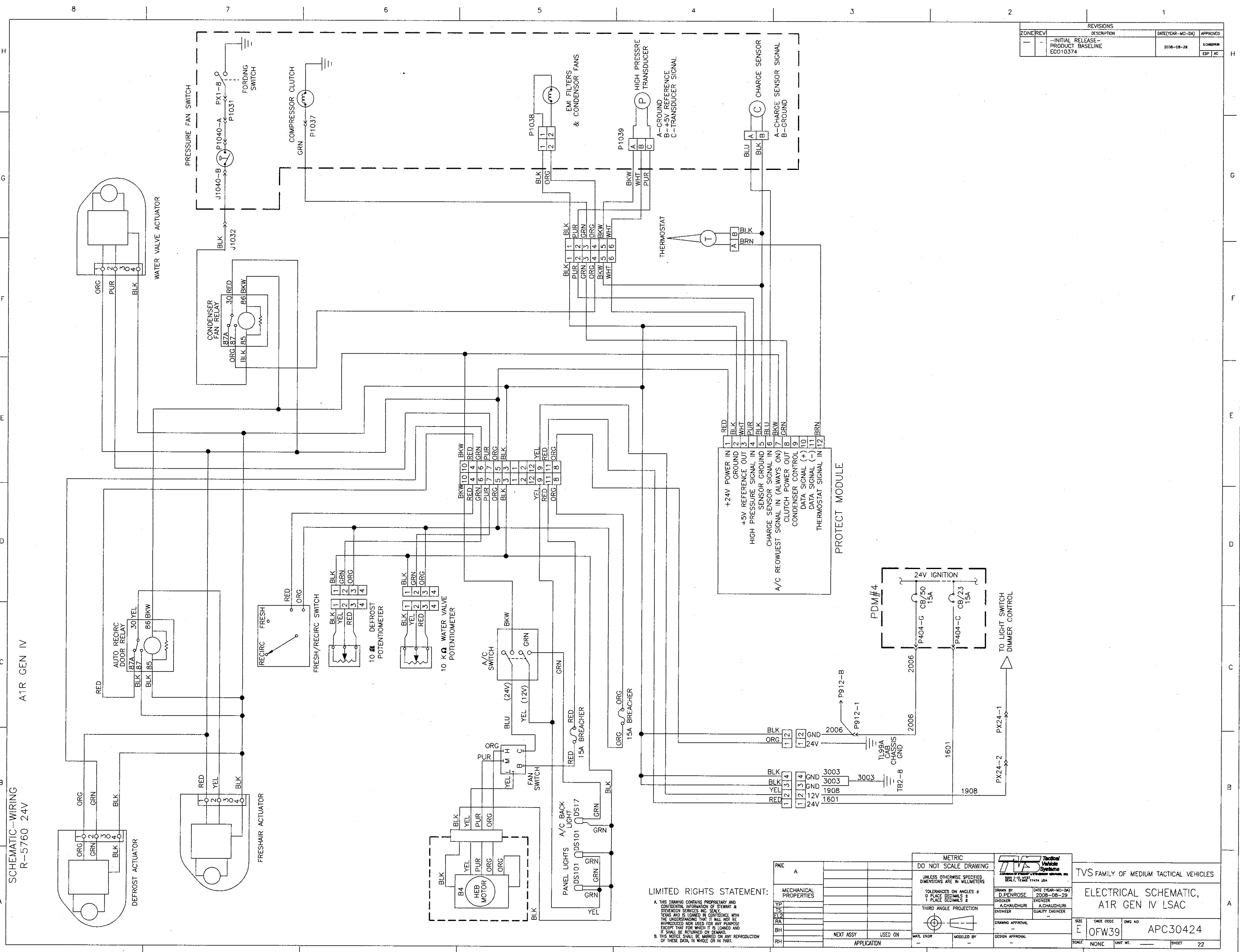
- 800 VAN FAN MOTOR B11
- 801 VAN HEATER MOTOR B
- 802 CIRCUIT BREAKER CB1/200A, CB2/30A, CB3/50A
- 803 FAN CONTROL SWITCH S35
- 804 FAN CONTROL SWITCH S35
- 805 CIRCUIT BREAKER CB4/15, CB5/20, CB6/15, CB7/20, CB8/15, CB9/20
- 806 DOOR AJAR FLASHER A22
- 807
- 808
- 809 TO 13/456 VAN DOOR INDICATOR SIGNAL TO 9/265 (+12VDC) MARKER
- 810 TO 9/250 (+12VDC) BLACKOUT SIGNAL TO 11/380 (+24VDC) BLACKOUT OVERRIDE SWITCH S33
- 811 CIRCUIT BREAKER CB10/5A, CB11/20A
- 812 POWER CONTROL RELAY K35 FUSE F2/25A
- 813 BLACKOUT OVERRIDE SWITCH S33 FRONT MARKER LIGHTS DS84-DS88 BLACKOUT OVERRIDE RELAY K36
- 814 VAN LIGHT RELAY K41
- 815 WINDOW BLACKOUT SWITCH S11 THRU S15
- 816
- 817 FRONT MARKER LIGHTS DS84-DS88
- 818
- 819
- 820 DOOR SWITCH S17A, S17B
- 821 FORWARD A.C. OUTLETS SWITCH S34
- 822 REAR MARKER LIGHTS DS89-DS95 AC/DC LIGHT SWITCH S32
- 823
- 824
- 825
- 826
- 827
- 828
- 829 BLACKOUT LIGHT DS75
- 830 BLACKOUT LIGHT DS76
- 831 EMERGENCY LIGHTS DS78, DS79, DS96, DS97
- 832 FLUORESCENT LIGHTS DS80, DS81, DS82, DS83

LIMITED RIGHTS STATEMENT:

A. THIS DRAWING CONTAINS PROPRIETARY AND CONFIDENTIAL INFORMATION OF STEWART & STEVENSON SERVICES INC. (SSSI) AND IS LOANED TO YOU IN CONFIDENCE WITH THE UNDERSTANDING THAT IT WILL NOT BE REPRODUCED OR USED FOR ANY PURPOSE EXCEPT THAT FOR WHICH IT IS LOANED AND IT SHALL BE RETURNED ON DEMAND.

B. THIS NOTICE SHALL BE MARKED ON ANY REPRODUCTION OF THESE DATA, IN WHOLE OR IN PART.

PHIC	A	DO NOT SCALE DRAWING		METRIC		TVS FAMILY OF MEDIUM TACTICAL VEHICLES	
MECHANICAL PROPERTIES		UNLESS OTHERWISE SPECIFIED TOLERANCES ON ANGLES ± 0 PLACE DECIMALS ± 1 PLACE DECIMALS		DRAWN BY: D. PENROSE DATE: (YEAR-MO-DA) 2008-08-29		ELECTRICAL SCHEMATIC, A1R GEN IV LSAC	
YPT		THIRD ANGLE PROJECTION		CHECKER: A. CHAUDHURI ENGINEER: A. CHAUDHURI QUALITY ENGINEER		SIZE: E CAGE CODE: OFW39 DWG NO: APC30424	
EL2		NEXT ASSY USED ON		DRAWING APPROVAL:		SCALE: NONE UNIT WT. SHEET: 21	
BH		APPLICATION		DESIGN APPROVAL:			
RH							



ZONE/REV	DESCRIPTION	DATE (YEAR-MO-DA)	APPROVED
-	-INITIAL RELEASE- PRODUCT BASELINE ECO10374	2008-08-28	ALONMAN EDP JAC

SCHEMATIC-WIRING
R-5760 24V
A1R GEN IV

LIMITED RIGHTS STATEMENT:
A. THIS DRAWING CONTAINS PROPRIETARY AND CONFIDENTIAL INFORMATION OF STEARNS & GENCO SERVICES INC. SEALY, TEXAS AND IS LOANED IN CONFIDENCE WITH THE UNDERSTANDING THAT IT WILL NOT BE REPRODUCED NOR USED FOR ANY PURPOSE EXCEPT THAT FOR WHICH IT IS LOANED AND IT SHALL BE RETURNED ON DEMAND.
B. THIS NOTICE SHALL BE MARKED ON ANY REPRODUCTION OF THESE DATA, IN WHOLE OR IN PART.

PNC A		METRIC	
MECHANICAL PROPERTIES		DO NOT SCALE DRAWING	
YPT		UNLESS OTHERWISE SPECIFIED DIMENSIONS ARE IN MILLIMETERS	
TST		TOLERANCES ON ANGLES ±	
ELT2		° PLACE DECIMALS ±	
PAA		THIRD ANGLE PROJECTION	
BH			
RH		MAIL ENVR	
NEXT ASSY		MODELED BY	
USED ON		DESIGN APPROVAL	
APPLICATION		SCALE	

TVS FAMILY OF MEDIUM TACTICAL VEHICLES	
ELECTRICAL SCHEMATIC, A1R GEN IV LSAC	
SIZE	SCALE
E	NONE
DATE CODE	UNIT WT.
0FW39	
DWG NO	SHEET
APC30424	22